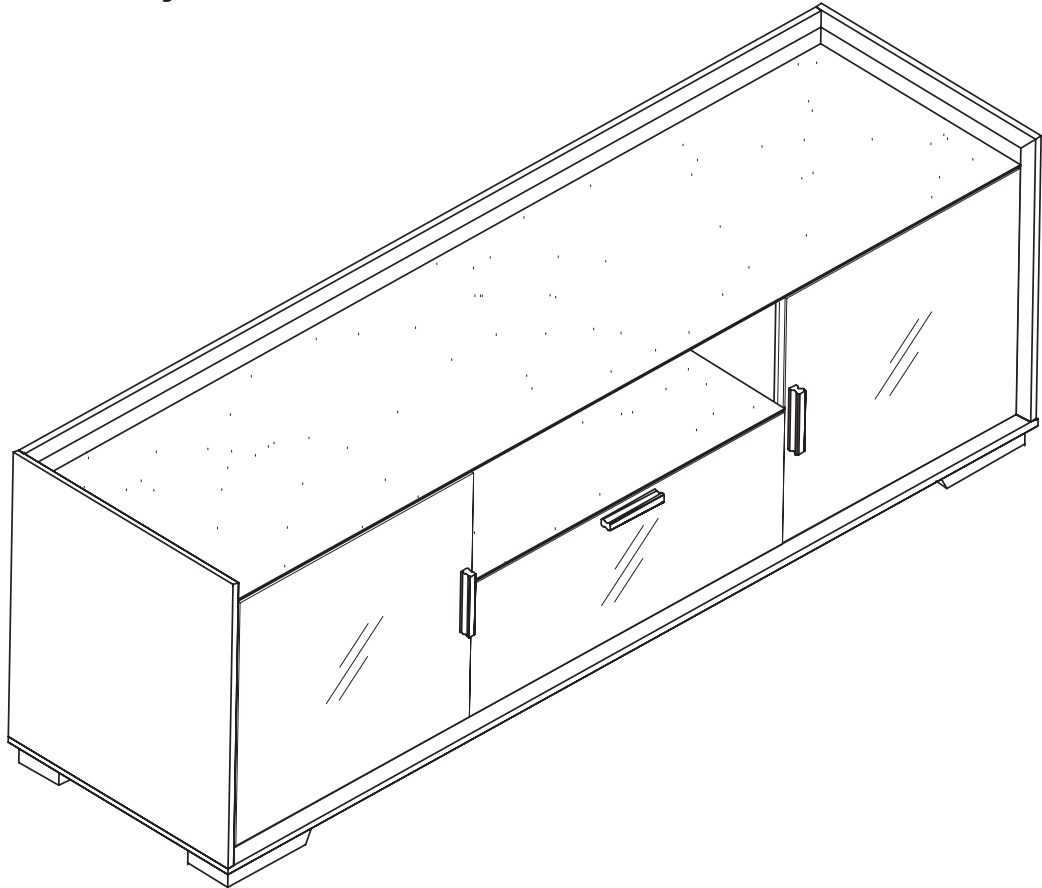




SDAV2 7224

Assembly Instructions



Tools Required



Thank you for purchasing the SDAV2 7224 audio/video cabinet.

Unpack the contents and check to ensure that all of the parts are in proper condition. To help protect the environment, use the appropriate recycling and discarding methods for the packaging items.

Assemble this item on a soft surface, such as carpet, to protect the finish.

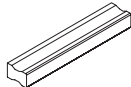
Parts

①



8 - Shelf Pins

②



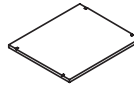
3 - Handles

③



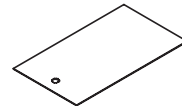
6 - Screws

④



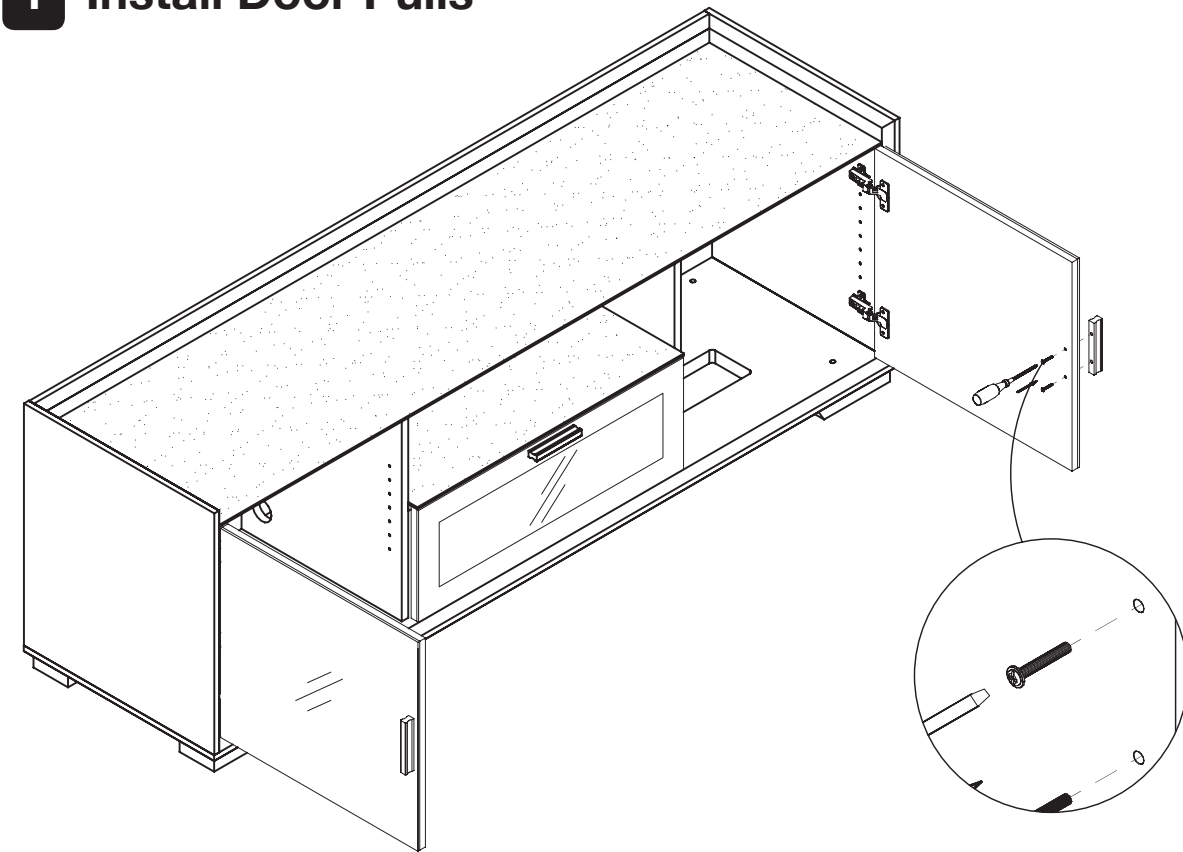
2 - Shelves

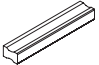

⑤



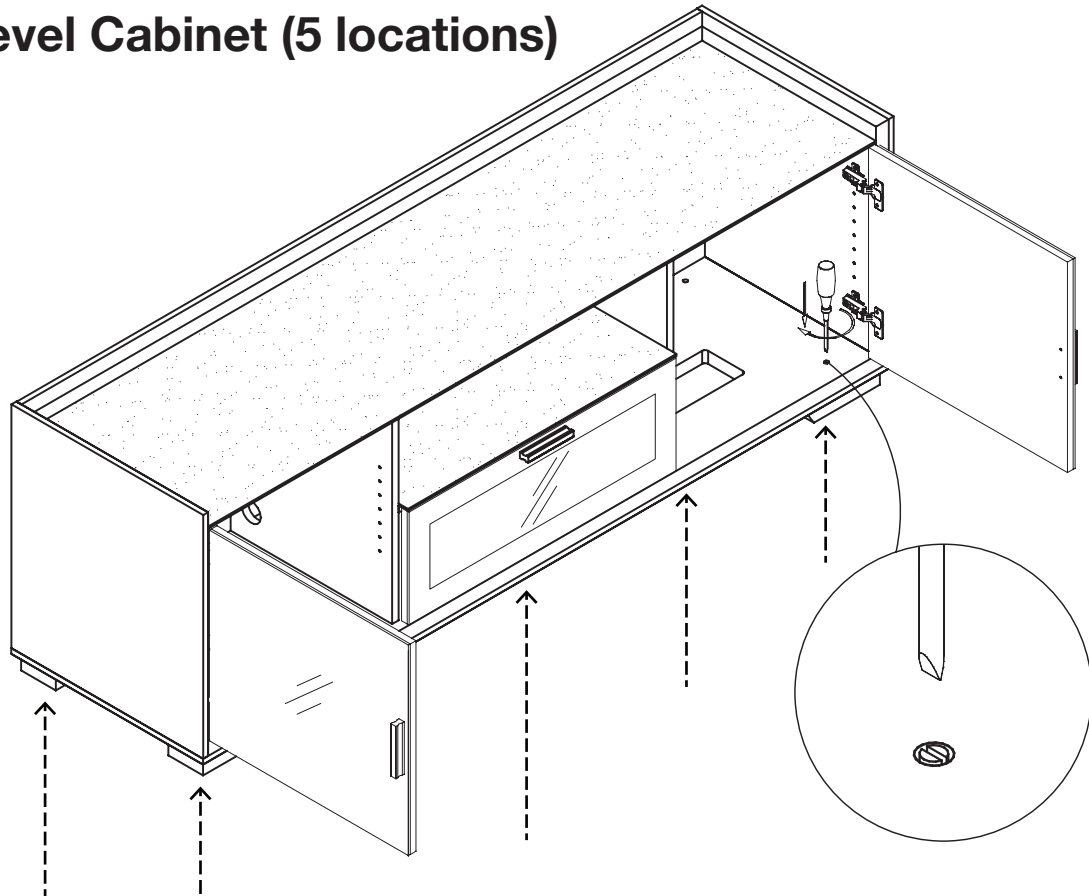
3 - Rear Panels

1 Install Door Pulls

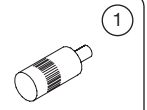
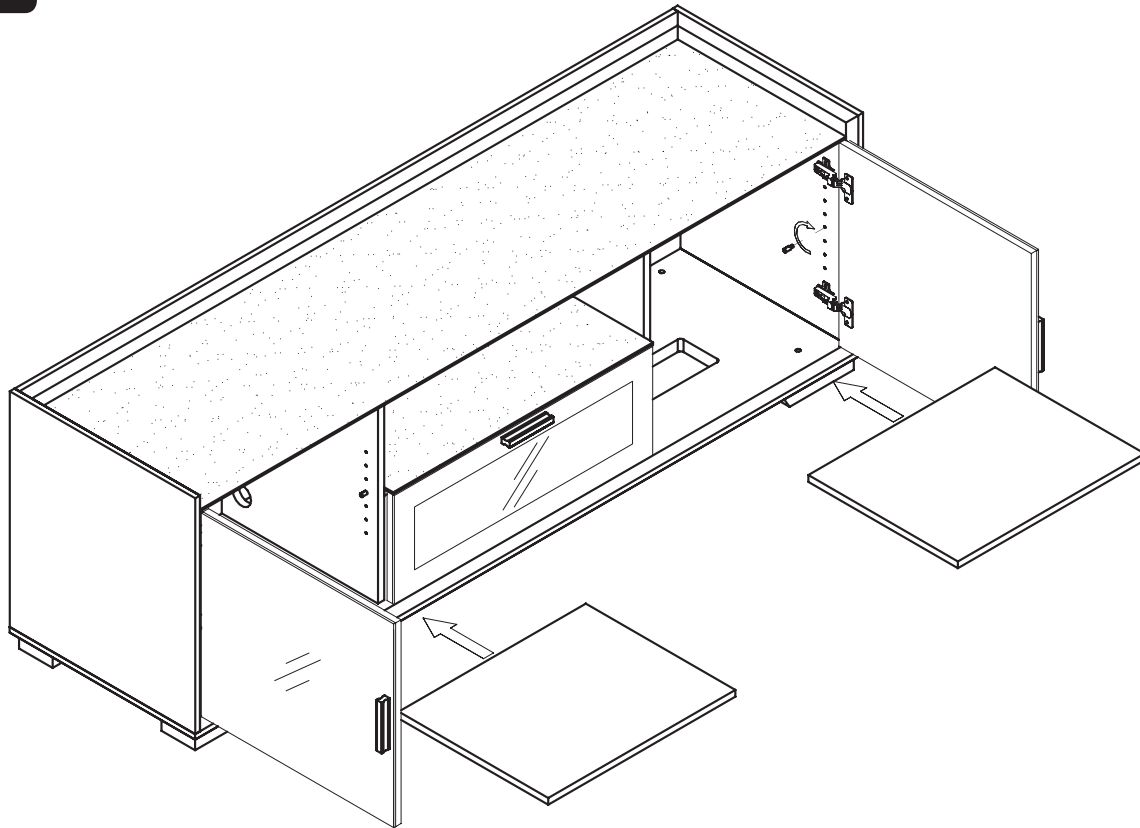


- ②  3X
- ③  6X

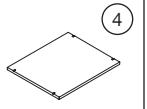
2 Level Cabinet (5 locations)



3 Place Shelves

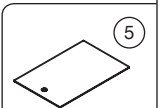
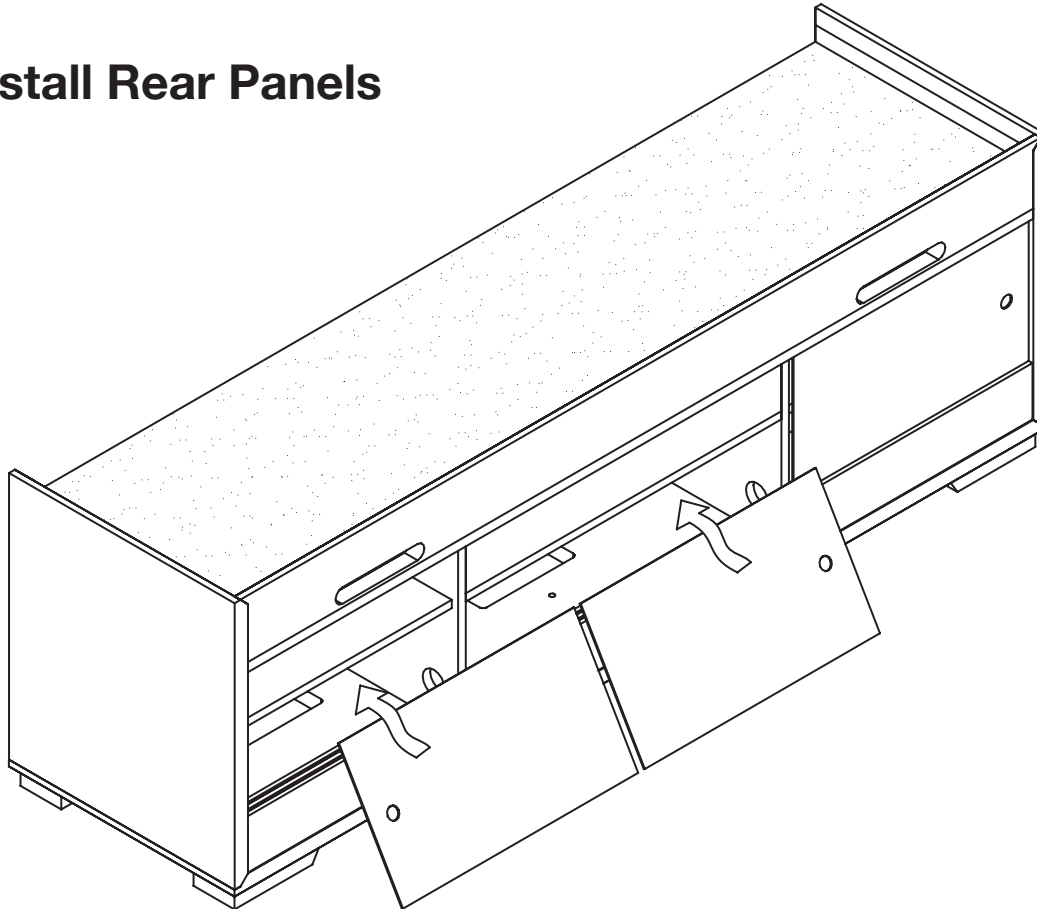


8X



2X

4 Install Rear Panels



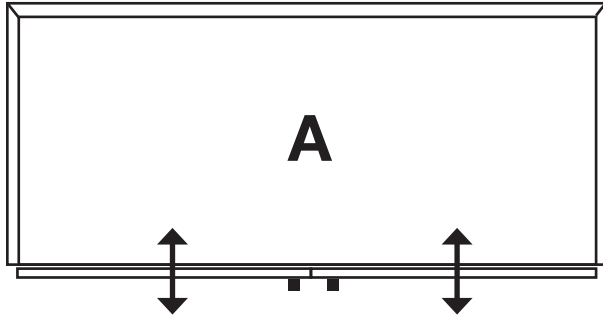
3X

Aligning Doors

Follow these instructions if you wish to adjust your doors.

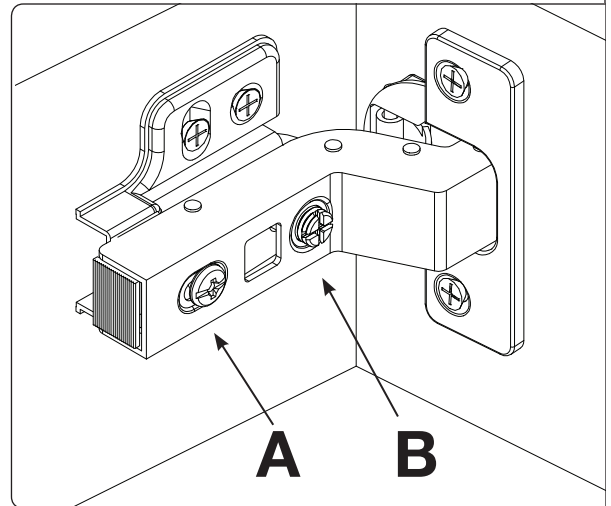
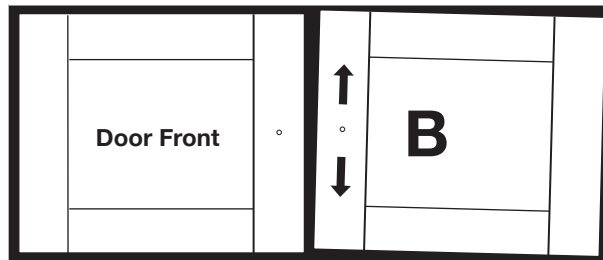
Top View

Adjust screw "A" to allow door adjustment in and out of the cabinet.



Front View

Use screw "B" to adjust the doors to be parallel to the cabinet.



SALAMANDER DESIGNS LIMITED WARRANTY

Salamander Designs Ltd. (Salamander) provides the following Limited Warranty. The Limited Warranties herein described for the specific products listed below shall be in lieu of any other warranty, expressed or implied, including but not limited to any implied warranty of merchantability or fitness for a particular use. These Limited Warranties do not cover damages incurred in shipment, failures caused by other products not supplied by Salamander, or failures due to accident, misuse, abuse or alteration of the product. Salamander's sole liability and the purchaser's exclusive remedy shall be for the repair, or at Salamander's option, for the replacement of the defective part as provided herein. Notwithstanding the above, if replacement parts for defective materials are not available, Salamander reserves the right to make reasonable compensation in lieu of repair or replacement. Liability for incidental or consequential damages under the warranty is excluded. Some states do not allow limitation of incidental or consequential damages. Therefore, the above limitation may not apply in certain instances. Defective product must be given Return Authorization by Salamander and is to be returned to the factory prepaid, in the original carton and packing materials. Any damage incurred in a shipment not in original packing shall be the responsibility of the owner. Warranty repairs will be returned to the owner prepaid, within the continental U.S.A. only. This warranty gives you specific legal rights and you may also have other rights which vary from state to state.

Salamander Audio/Video Furniture Warranty Limitations - For two (2) full years Salamander will repair or replace, at our option, any product defective in materials or craftsmanship.

WARRANTY PROCEDURE

Claims should be made through the dealer from which the product was purchased. The dealer will contact Salamander Designs Ltd. (Salamander) for warranty service. An original sales order number/purchase order # will be required for warranty protection. Salamander's liability under this warranty is limited to repairing or replacing at Salamander's option any part or parts of the product found to be defective in material or workmanship within the applicable warranty period. Salamander in its sole discretion will determine the cause and nature of any defect, the necessity and manner of repair or replacement, and all other matters pertaining to the condition of the product.

LABOR AND SHIPPING CHARGES

Should you be entitled to receive a repair or replacement under this warranty, Salamander will pay the cost of labor, handling and shipping to the consumer for two (2) years from the date of purchase by the original consumer. After that date, the purchaser will be responsible for these costs.



SALAMANDER
DESIGNS
DEFINING ORIGINAL™

phone: 800-535-5659

www.salamanderdesigns.com