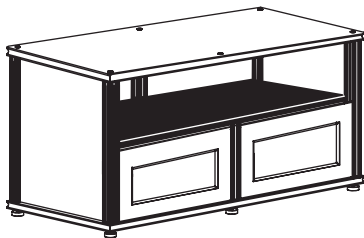


SYNERGY 223

Twin Assembly

Includes:

- (1) Twin 20 Unit
- (2) S20 Side Panels
- (2) S10 Drop Down Doors
- (1) Double-Width Shelf



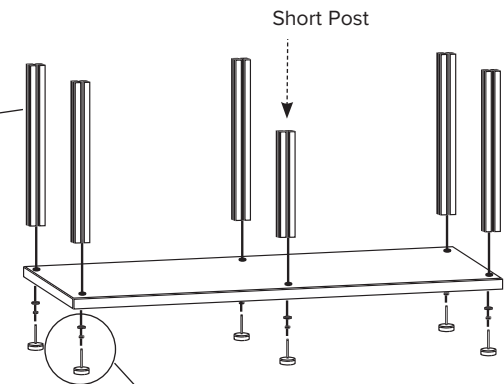
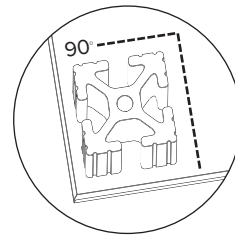
BEFORE YOU BEGIN:

- Unpack all parts and read instructions carefully before beginning.
- Shelf pegs and door hinges must slide into the channels of the post in the correct order. They cannot be removed individually without disassembling the whole unit.

1 Connect Posts to Bottom Shelf

A. Square Post

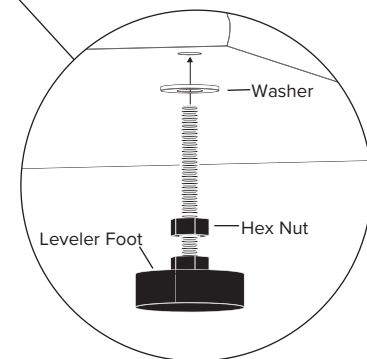
Square the post to the bottom shelf.



B. Connect Post

Screw foot with metal washer through bottom shelf and into the end of each extruded post. Hand tighten fully and use wrench to tighten nut onto underside of shelf.

WARNING: Tighten by screwing the leveler foot NOT the post.



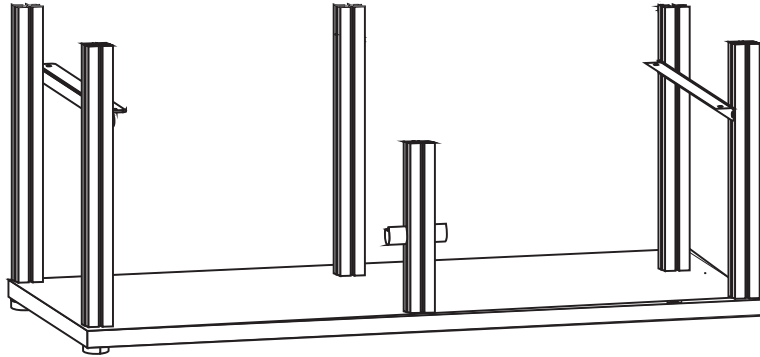
Limited Warranty

Five full years Salamander Designs Ltd will repair or replace, at our option, any product defective in materials or craftsmanship. Salamander Designs Ltd. will not be responsible for any damage to or destruction of other equipment consequential to our equipment failure. Defective product must be given Return Authorization and is to be returned to the factory prepaid, in the original carton and packing material. Any damage incurred in a shipment not in original packaging shall be the responsibility of the owner. Warranty repairs will be returned prepaid, via UPS within the continental U.S.A. only.

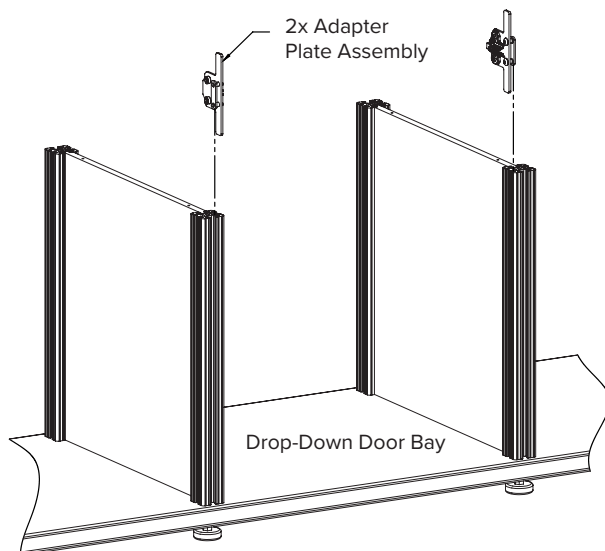
Salamander Designs Ltd. • 800-535-5659 • www.SalamanderDesigns.com

©2024 Salamander Designs Ltd. ® Synergy System, Patented.

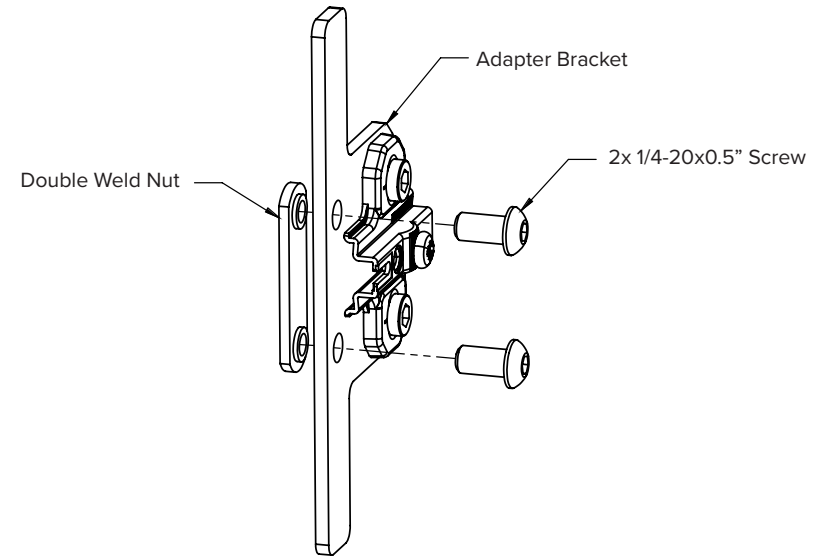
2 Installing Doors



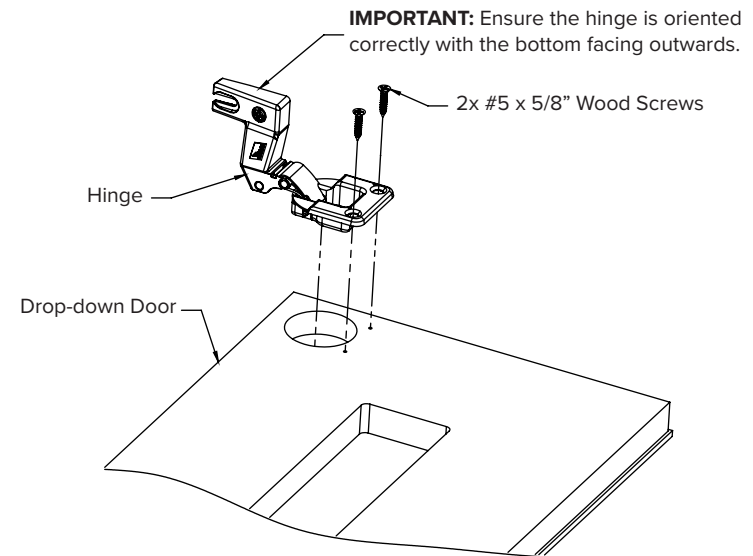
B. On each side of the bay the drop down door will be installed in, slide the double weld nut of the adapter plate assembly into the inner slot of the extrusions as shown. Once the adapter plate assembly is resting on the bottom, tighten the screws to secure the assemblies in place.



A. Align the double weld nut, adapter bracket, and provided 1/4-20 x 0.5" screws as shown above. Then loosely thread the screws through the adapter bracket and into the weld nut.

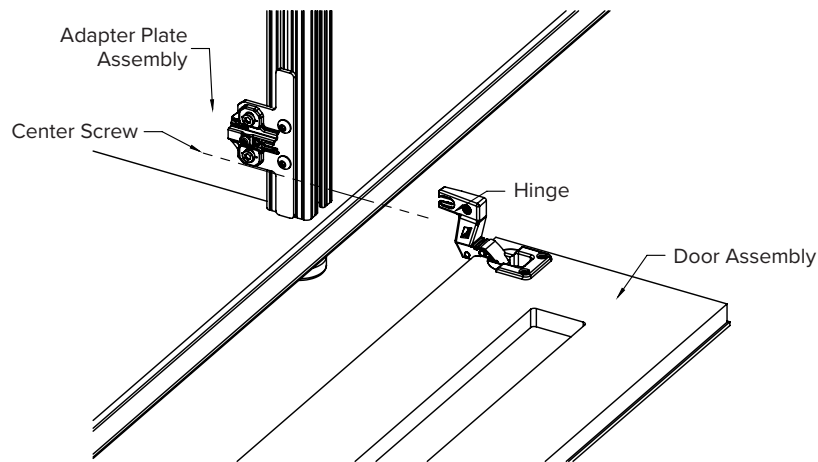


C. Assemble the provided hinges onto the drop-down door using the provided #5 x 5/8" wood screws as shown, both sides.

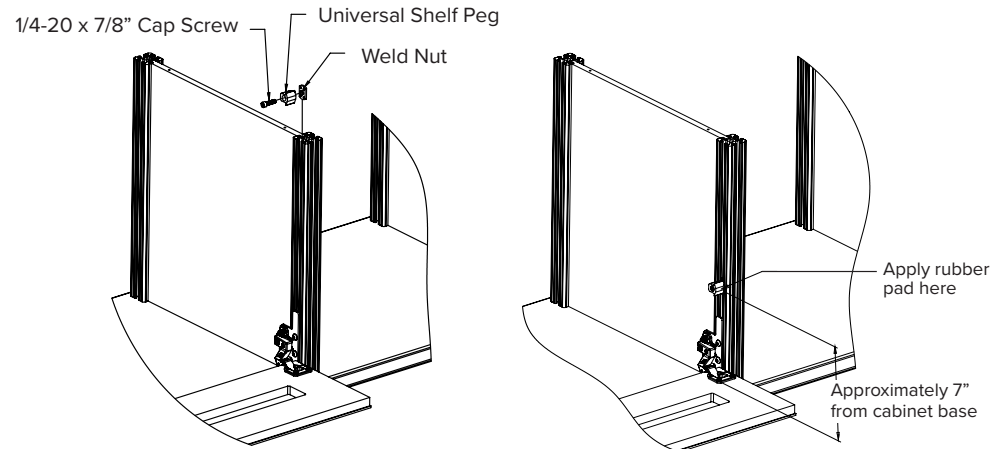


2 Installing Doors

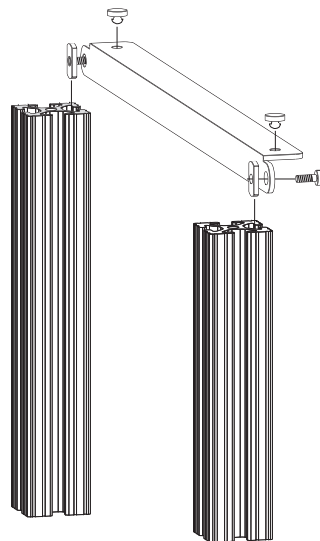
D. Slide the hinges of the door assembly into the adapter plate assembly as shown and tighten the center screw to secure. To adjust the door loosen the center screw and slide forward or backwards as needed.



E. Assemble shelf peg loosely and slide down one of the same extrusions slots as the hinge brackets. At about 7" from the base tighten and secure the shelf peg. Apply the clear square rubber door pad to the outside of the shelf peg and verify the drop-down door rests on it in the closed position.



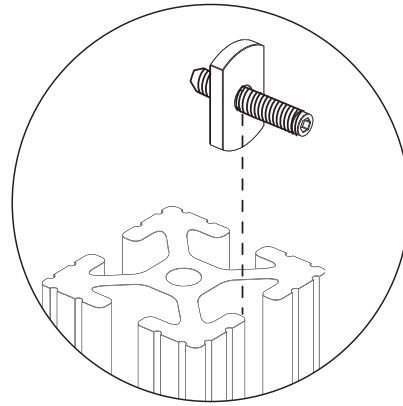
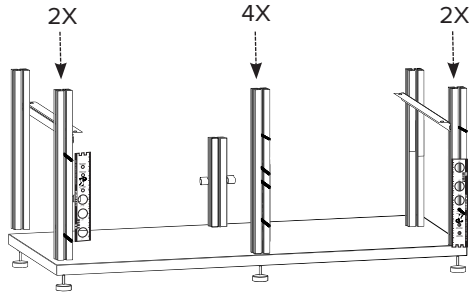
F. Heavy Duty Bracket
Install heavy duty brackets down outer posts to support the double-width shelf. Place rubber shelf tabs through bracket.



3 Attach Rear Panels

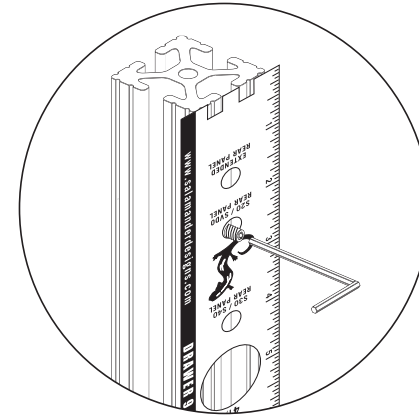
A. Insert Hardware

Combine the 1" threaded studs with flat nuts. Slide 2 sets of hardware down the two outside posts and 4 sets down the center post. Allow studs to remain loose at bottom of post.



B. Position & Secure Studs

Align the Spacer Tool at the top of each post, then position top studs through the small "Rear Panel" hole. Repeat this step with the bottom studs aligning the Tool along the bottom of post to set spacing for cable passage. Use the hex key to secure the top and bottom studs to the posts.

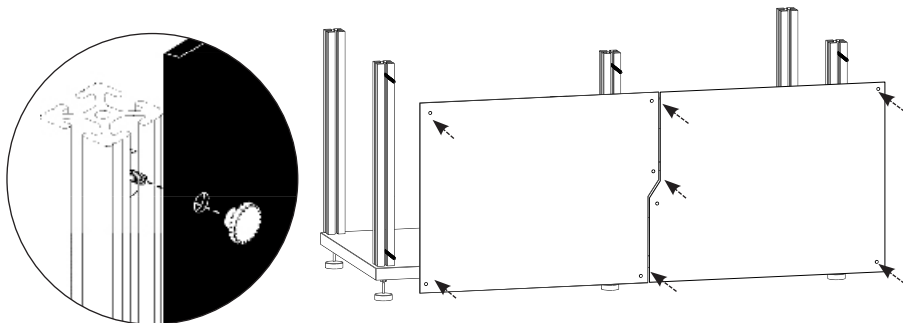


TIP

To ease installation of rear panels, gently place the unit face down on the floor to improve aligning of panels.

C. Place Rear Panels

Secure each panel in place with thumb nuts.



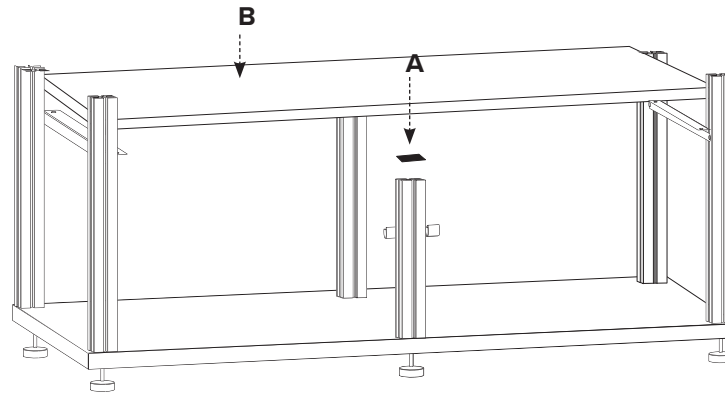
4 Placing Shelves

A. Rubber Pads

Place rubber pad on top of center post.

B. Double-Width Shelf

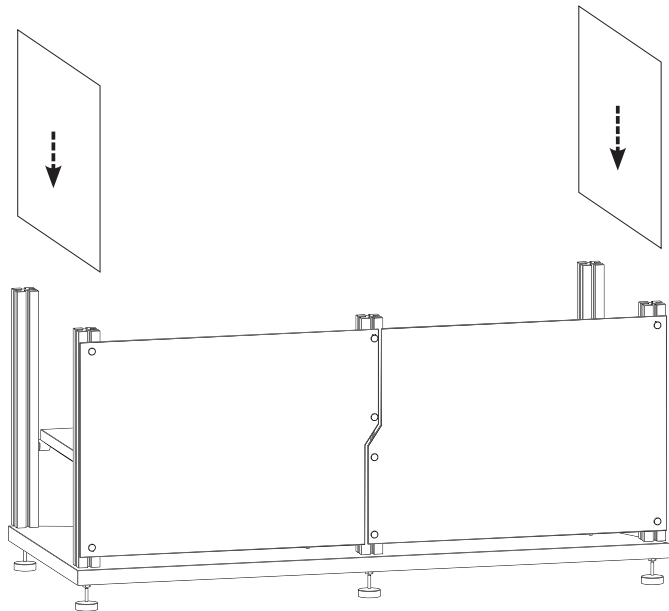
Place double-width shelf on brackets.



5 Sides and Top Assembly

A. Insert Side Panels

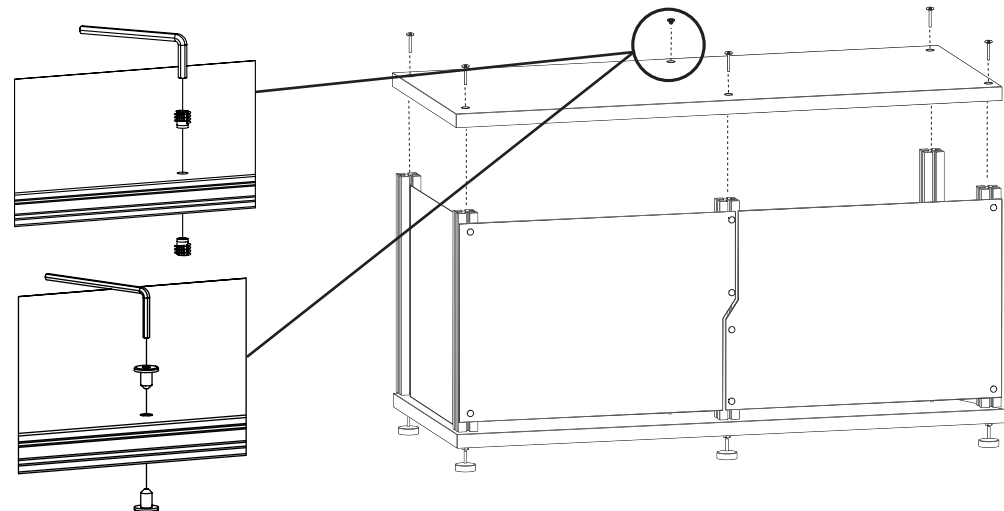
Carefully slide side panels down outside posts. Be sure the posts are square to the bottom shelf to prevent any damage to side panels.



B. Secure Top

Secure top with the 5 connector bolts. Place the threaded insert and short connector bolt in the front center hole.

1. Secure top with the & connector bolts to complete installation.
2. Drive the first insert nut into the top of the open hole flush to the surface using the M6 hex key. Then drive the second insert nut into the other side of the hole flush to the bottom surface.
3. Install the joint connector bolts into both inserts using the 5/32" hex key and tighten to the surface.

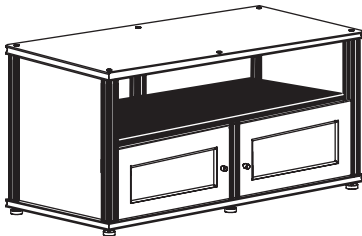


SYNERGY 229

Twin Assembly

Includes:

- (1) Twin 20 Unit
- (2) S20 Side Panels
- (2) S10 Doors
- (1) Double-Width Shelf



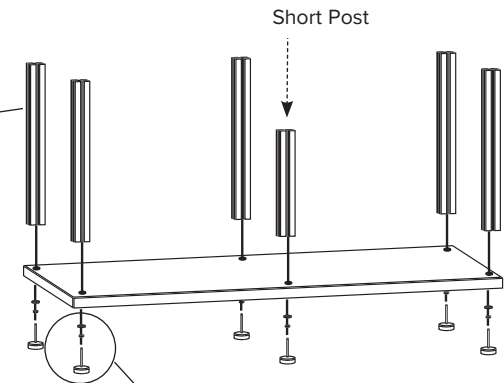
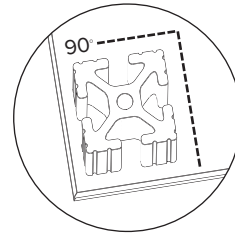
BEFORE YOU BEGIN:

- Unpack all parts and read instructions carefully before beginning.
- Shelf pegs and door hinges must slide into the channels of the post in the correct order. They cannot be removed individually without disassembling the whole unit.

1 Connect Posts to Bottom Shelf

A. Square Post

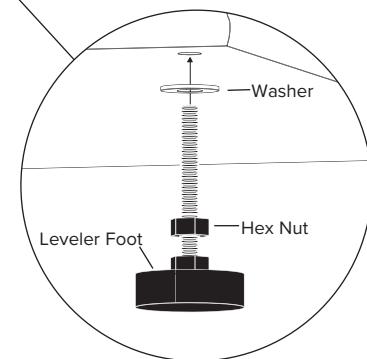
Square the post to the bottom shelf.



B. Connect Post

Screw foot with metal washer through bottom shelf and into the end of each extruded post. Hand tighten fully and use wrench to tighten nut onto underside of shelf.

WARNING: Tighten by screwing the leveler foot NOT the post.



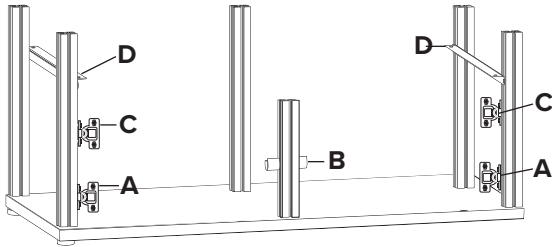
Limited Warranty

Five full years Salamander Designs Ltd will repair or replace, at our option, any product defective in materials or craftsmanship. Salamander Designs Ltd. will not be responsible for any damage to or destruction of other equipment consequential to our equipment failure. Defective product must be given Return Authorization and is to be returned to the factory prepaid, in the original carton and packing material. Any damage incurred in a shipment not in original packaging shall be the responsibility of the owner. Warranty repairs will be returned prepaid, via UPS within the continental U.S.A. only.

Salamander Designs Ltd. • 800-535-5659 • www.SalamanderDesigns.com

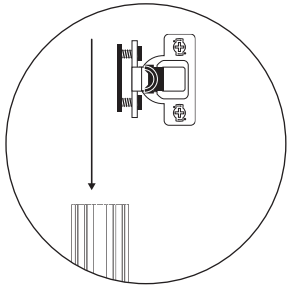
©2024 Salamander Designs Ltd. ® Synergy System, Patented.

2 Installing Hardware



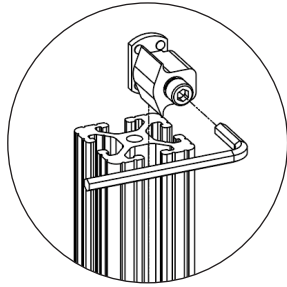
A. Bottom Door Hinges

Slide the bottom door hinge plates through the front post channels.



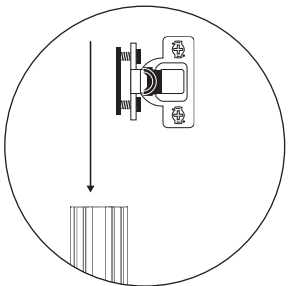
B. Door Stops

Insert one left and one right door stop down center post.



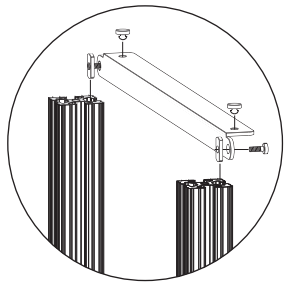
C. Top Door Hinges

Slide the top door hinge plates through the front post channels, aligning with bottom door hinges.



D. Heavy Duty Bracket

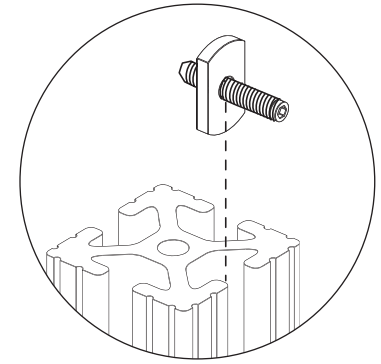
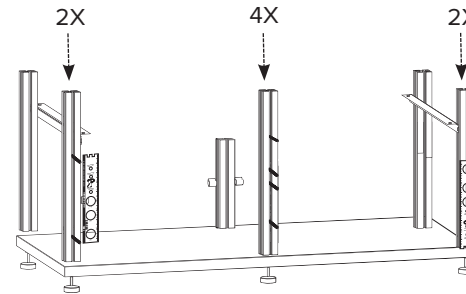
Install heavy duty brackets down outer posts to support the double-width shelf. Place rubber shelf tabs through bracket.



3 Attach Rear Panels

A. Insert Hardware

Combine the 1" threaded studs with flat nuts. Slide 2 sets of hardware down the two outside posts and 4 sets down the center post. Allow studs to remain loose at bottom of post.

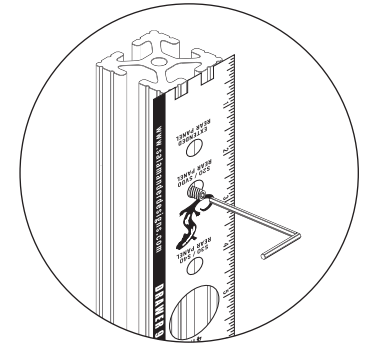


TIP

To ease installation of rear panels, gently place the unit face down on the floor to improve alignment of panels.

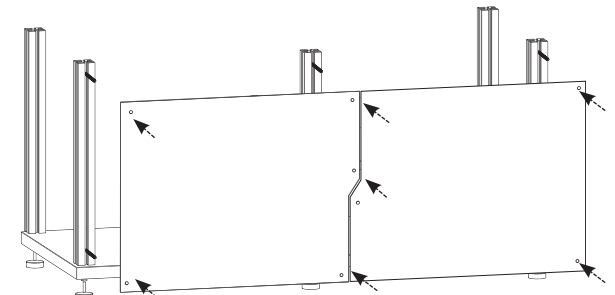
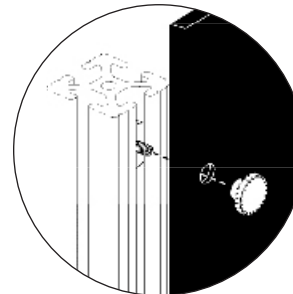
B. Position & Secure Studs

Align the Spacer Tool at the top of each post, then position top studs through the small "Rear Panel" hole. Repeat this step with the bottom studs aligning the Tool along the bottom of post to set spacing for cable passage. Use the hex key to secure the top and bottom studs to the posts.

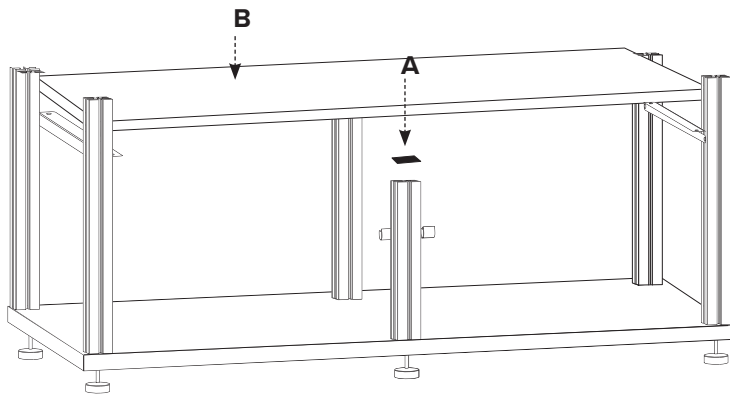


C. Place Rear Panels

Secure each panel in place with thumb nuts.



4 Placing Shelves



A. Rubber Pads

Place rubber pad on top of center post.

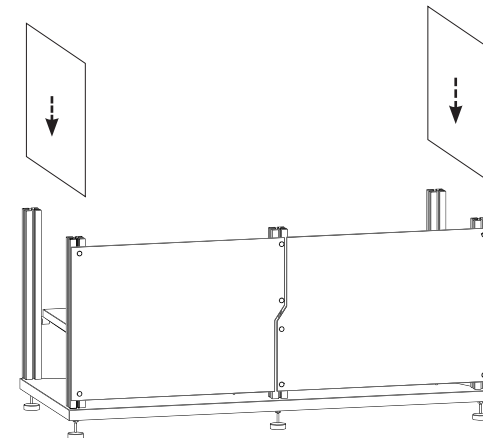
B. Double-Width Shelf

Place double-width shelf on brackets.

5 Sides and Top Assembly

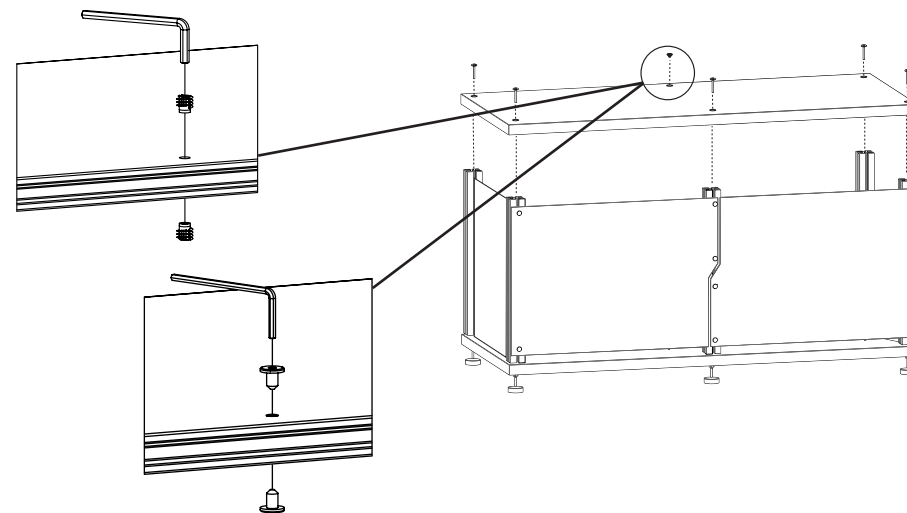
A. Insert Side Panels

Carefully slide side panels down outside posts. Be sure the posts are square to the bottom shelf to prevent any damage to side panels.



B. Secure Top

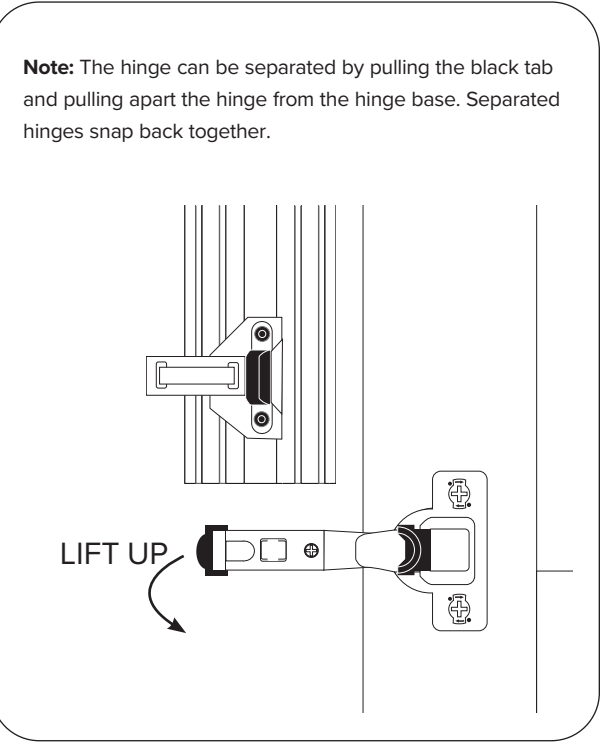
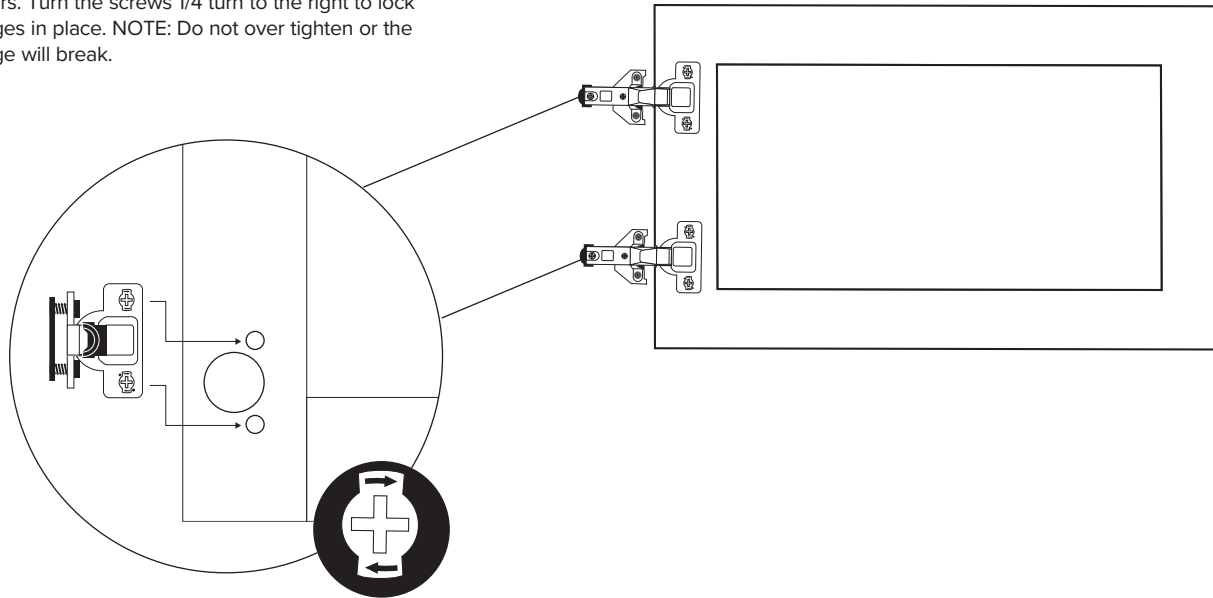
1. Secure top with the 5 connector bolts to complete installation.
2. Drive the first insert nut into the top of the open hole flush to the surface using the M6 hex key. Then drive the second insert nut into the other side of the hole flush to the bottom surface.
3. Install the joint connector bolts into both inserts using the 5/32" hex key and tighten to the surface.



6 Attach Doors

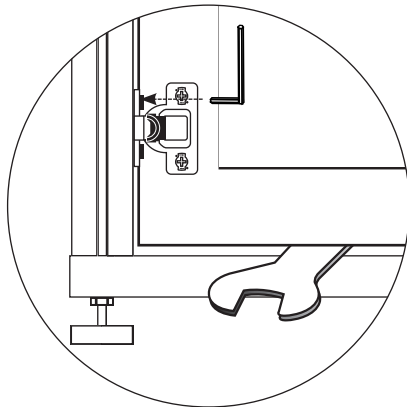
A. Attach Hinges to Door Frames

Insert the hinges into the corresponding holes on the doors. Turn the screws 1/4 turn to the right to lock hinges in place. NOTE: Do not over tighten or the hinge will break.



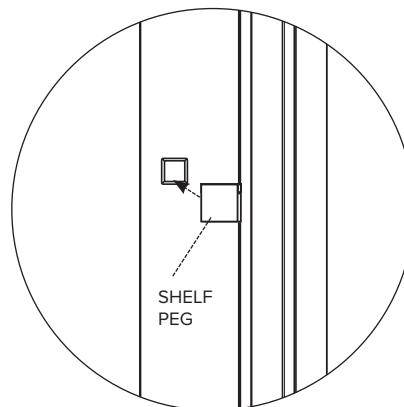
B. Adjust Clearance

Doors should be 1/8" above the bottom shelf before fully tightening hinges to post. Use the wrench thickness as a guide for the bottom gap. Secure hinges in place with hex key.



C. Rubber Stops

Attach the rubber stops to the inside of the door frame where it hits the shelf pegs.



D. Door Pull

Screw the Door Pull into place.

