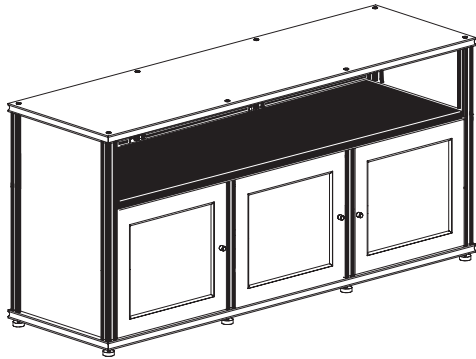


# SYNERGY 339

## Triple Assembly

Includes:

- (1) Triple 30 Unit
- (2) S30 Side Panels
- (3) S20 Doors
- (3) Adjustable Shelves
- (1) Triple-Width Shelf



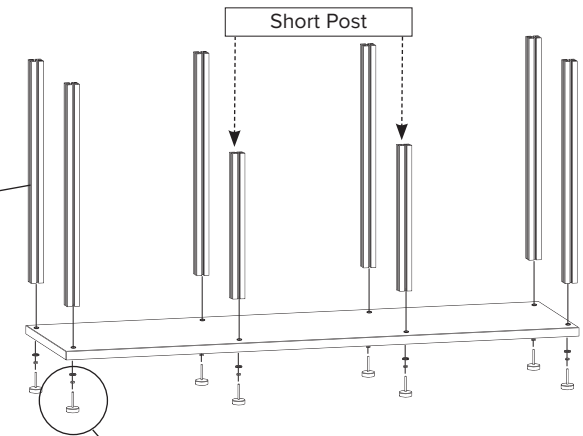
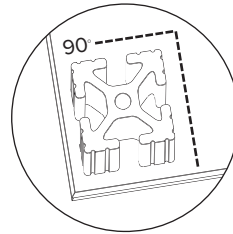
### BEFORE YOU BEGIN:

- Unpack all parts and read instructions carefully before beginning.
- Shelf pegs and door hinges must slide into the channels of the post in the correct order. They cannot be removed individually without disassembly.

## 1 Connect Posts to Bottom Shelf

### A. Square Post

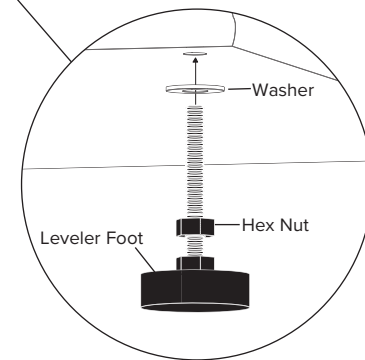
Square the post to the bottom shelf.



### B. Connect Post

Screw foot with metal washer through bottom shelf and into the end of each extruded post. Hand tighten fully and use wrench to tighten nut onto underside of shelf.

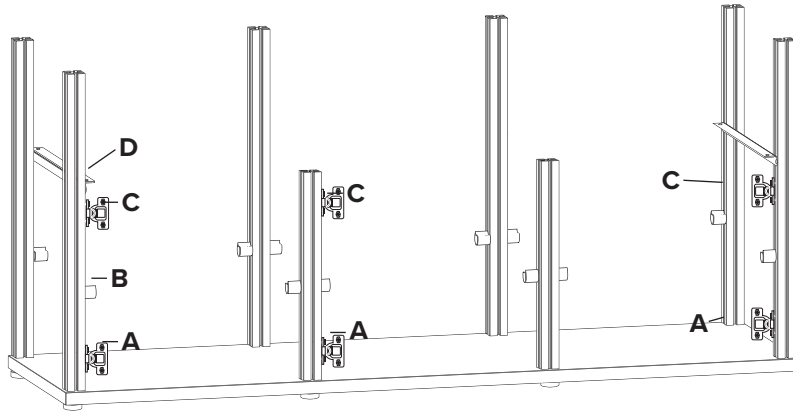
**WARNING:** Tighten by screwing the leveler foot NOT the post.



### Limited Warranty

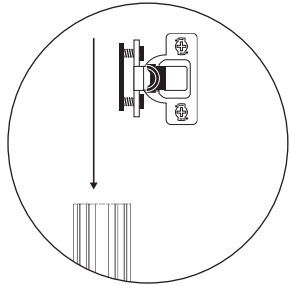
Five full years Salamander Designs Ltd will repair or replace, at our option, any product defective in materials or craftsmanship. Salamander Designs Ltd. will not be responsible for any damage to or destruction of other equipment consequential to our equipment failure. Defective product must be given Return Authorization and is to be returned to the factory prepaid, in the original carton and packing material. Any damage incurred in a shipment not in original packaging shall be the responsibility of the owner. Warranty repairs will be returned prepaid, via UPS within the continental U.S.A. only.

## 2 Installing Hardware



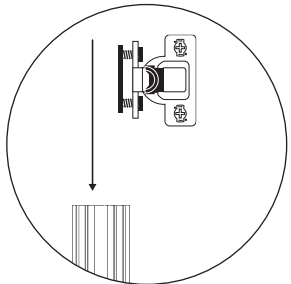
### A. Bottom Door Hinges

Slide the bottom door hinge plate through the front post channels (Doors can be either left or right side opening).



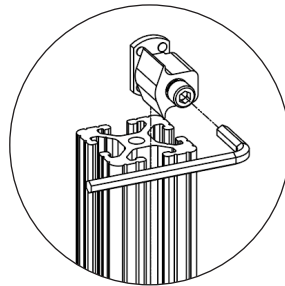
### C. Top Door Hinges

Slide the top door hinge plate through the front post channels, aligning with bottom door hinges.



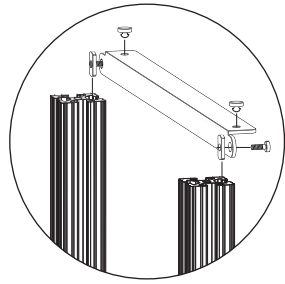
### B. Shelf Pegs

Insert one shelf peg down each post. They are designed to cradle the shelf in place. Refer to drawing. **Glass Cabinets Only:** Heavy duty brackets are used in place of shelf pegs. See Step D for installation diagram. Install one shelf peg into the post opposite the door hinges. Center it between the hinges vertically to act as a door stop.



### D. Heavy Duty Bracket

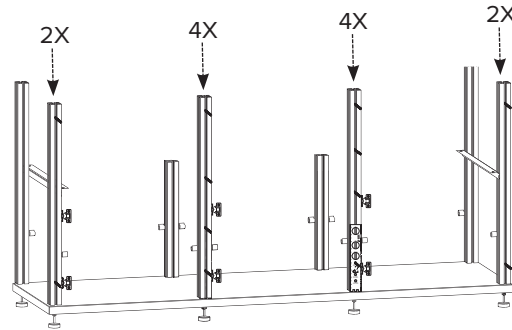
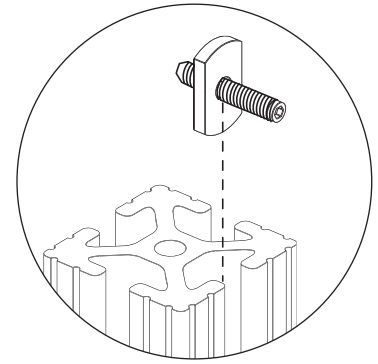
Install heavy duty brackets down outer posts to support the triple-width shelf. Place rubber shelf tabs through bracket.



## 3 Attach Rear Panels

### A. Insert Hardware

Combine the 1" threaded studs with flat nuts. Slide 2 sets of hardware down the two outside posts and 4 sets down the two center posts. Allow studs to remain loose at bottom of post.

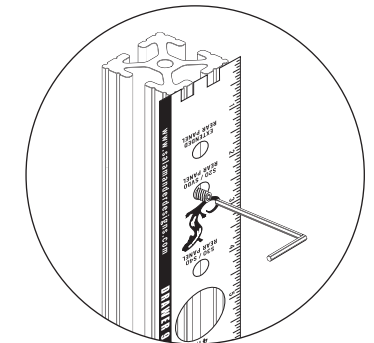


#### TIP

To ease installation of rear panels gently place the unit face down on the floor to improve aligning of panels.

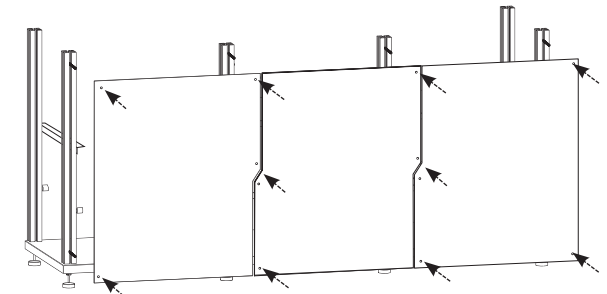
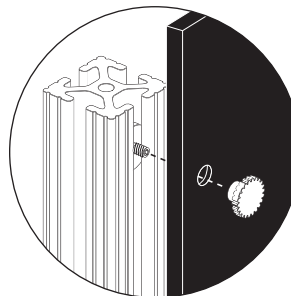
### B. Position & Secure Studs

Align the Spacer Tool at the top of each post, then position top studs through the small "Rear Panel" hole. Repeat this step with the bottom studs aligning the Tool along the bottom of post to set spacing for cable passage. Use the hex key to secure the top and bottom studs to the posts.

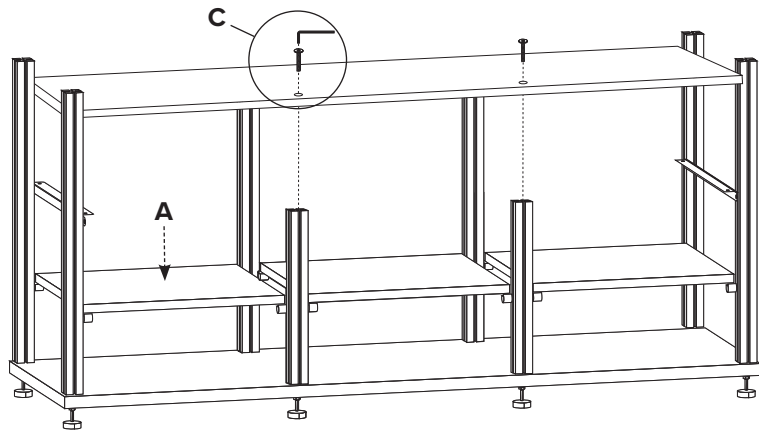


### C. Place Rear Panels

Secure each panel in place with thumb nuts.

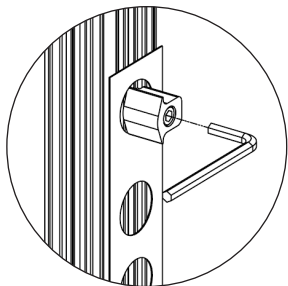


## 4 Placing Shelves



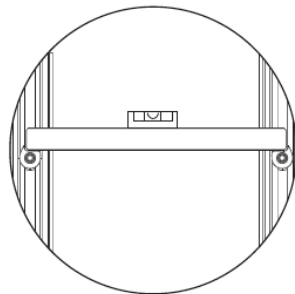
### A. Adjustable Shelves

Place shelves from the bottom up. Angle the shelf in between the front post and set on top of shelf pegs. Use the Spacer Tool to adjust spacing between shelves. Position the peg through the Spacer and tighten.



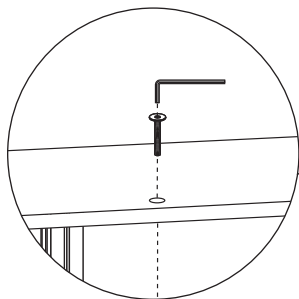
### B. Fine Tuning

Use the bubble level to precisely adjust the adjustable shelves. Be sure to level both sides as well as front to back. Use the hex key to tighten each peg.



### C. Triple-Width Shelf

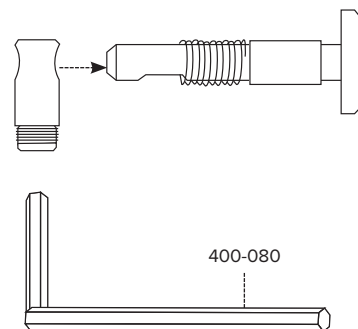
Place triple-width shelf on center posts and secure with bolts.



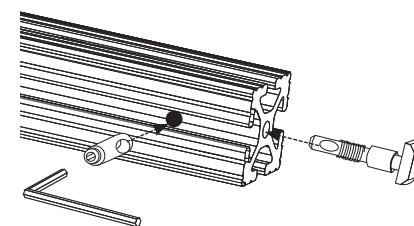
**NOTE:**  
Raise brackets to bottom of shelf and tighten in place.

## 5 Install Spanner

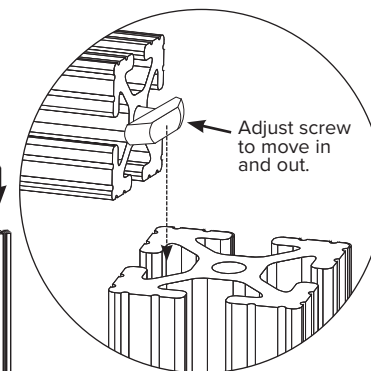
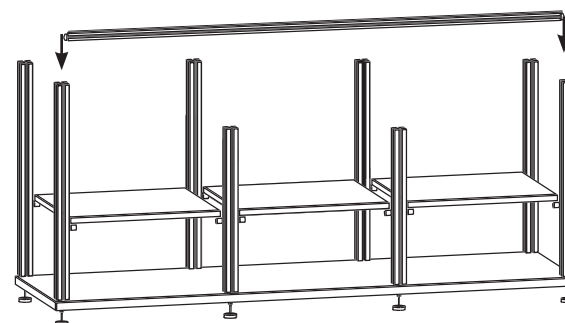
**A.** Disassemble cross dowel using the hex key as shown.



**B.** Install the cross dowels into both ends of the spanner post as shown. Gently tighten the set screw in place with the hex key. (Adjust set screw to move dowel fastener in and out as needed.)



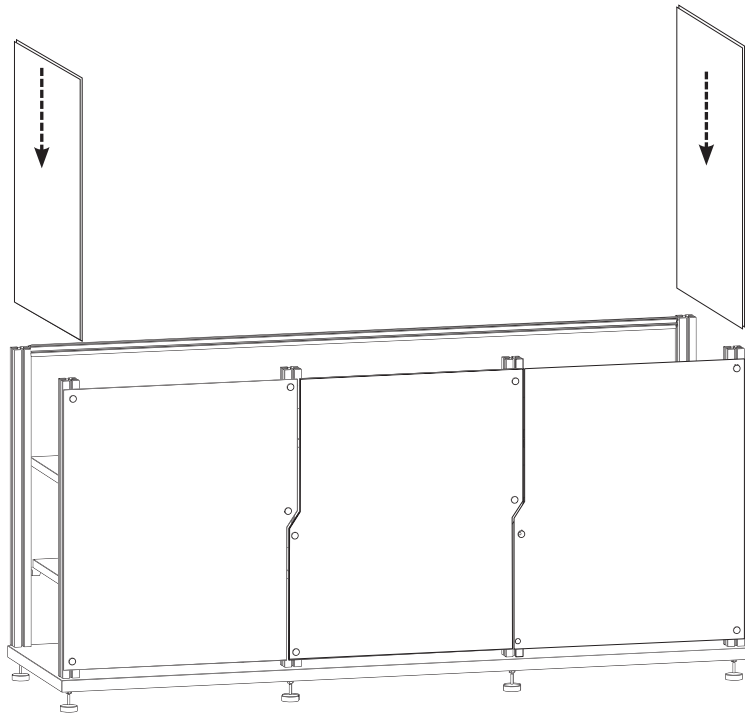
**C.** Slide the spanner post into the front two riser posts.



# 6 Sides and Top Assembly

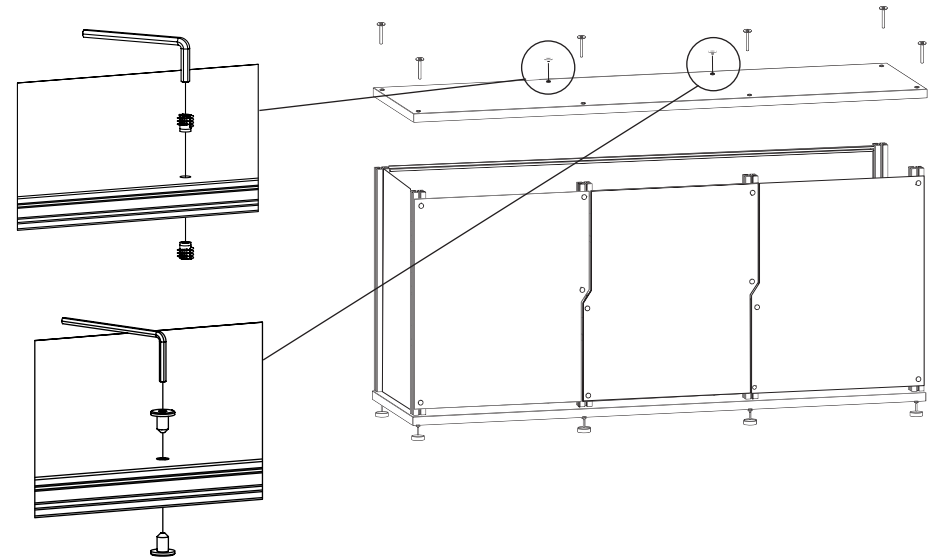
## A. Insert Side Panels

Carefully slide side panels down outside posts. Be sure the posts are square to the bottom shelf to prevent any damage to side panels.



## B. Secure Top

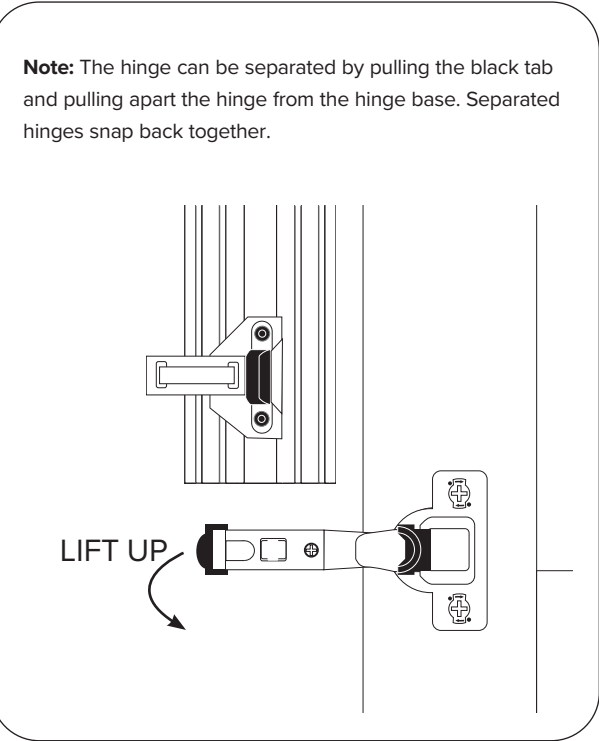
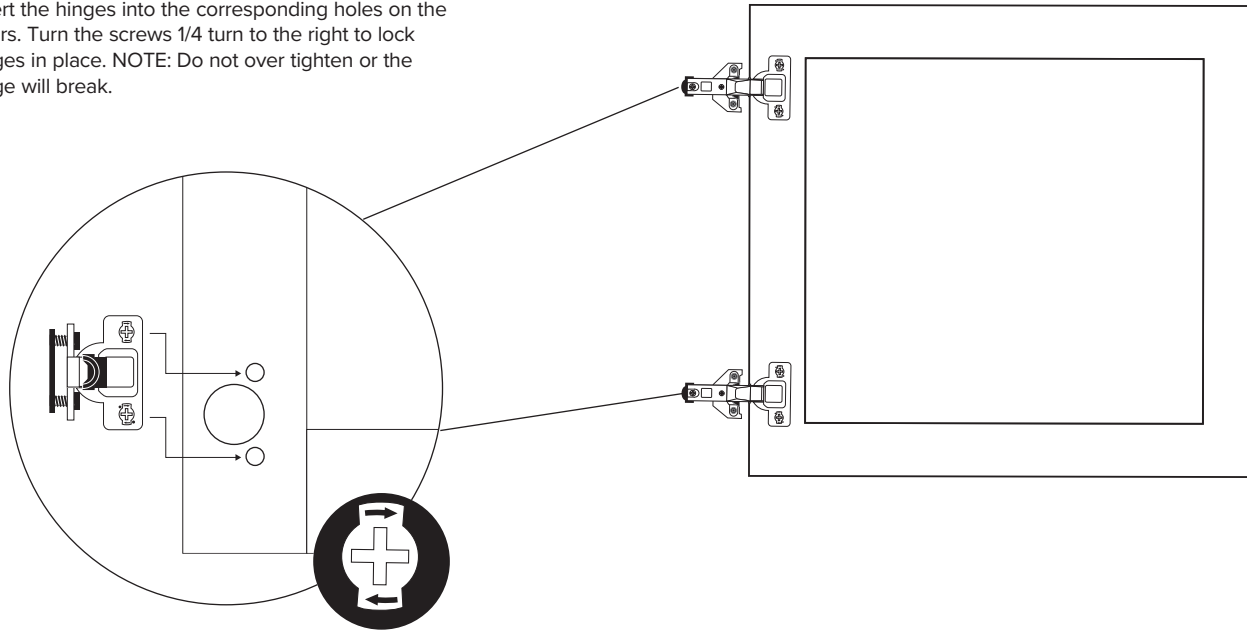
1. Secure top with the 6 connector bolts to complete installation.
2. Drive the first insert nut into the top of the open hole flush to the surface using the M6 hex key. Then drive the second insert nut into the other side of the hole flush to the bottom surface.
3. Install the joint connector bolts into both inserts using the 5/32" hex key and tighten to the surface.



# 7 Attach Doors

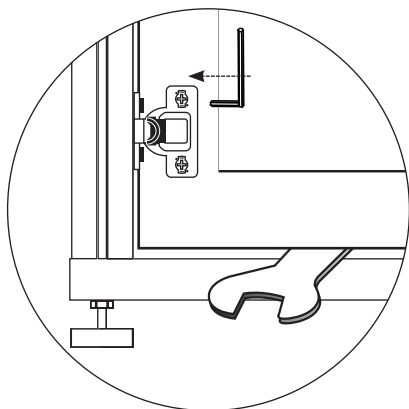
## A. Attach Hinges to Door Frames

Insert the hinges into the corresponding holes on the doors. Turn the screws 1/4 turn to the right to lock hinges in place. NOTE: Do not over tighten or the hinge will break.



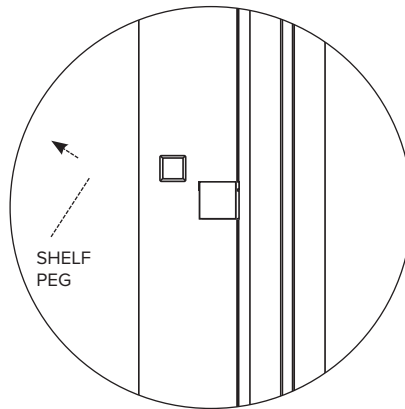
## B. Adjust Clearance

Doors should be 1/8" above the bottom shelf before fully tightening hinges to post. Use the wrench thickness as a guide for the bottom gap. Secure hinges in place with hex key.



## C. Rubber Stops

Attach the rubber stops to the inside of the door frame where it hits the shelf pegs.



## D. Door Pull

Screw the Door Pull into place.  
**\*Wood doors only.**

