

SYNERGY 248

Quad Assembly

Includes:

- (1) Quad 20 Baseunit
- (4) Side Panels
- (4) Rear Panels
- (2) S20 Doors
- (2) S10 Doors
- (2) Adjustable Shelves
- (1) Double Width Shelf

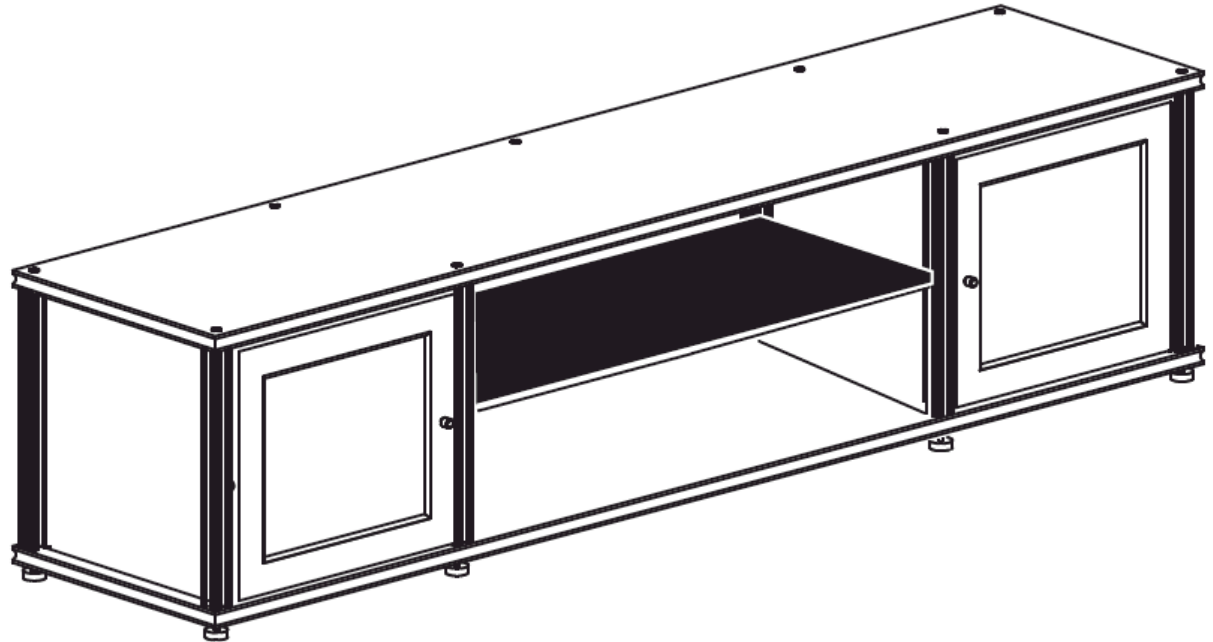
PHK - Parts:

- (2) Hardware Bags
- (2) Double Wide Shelf Brackets



BEFORE YOU BEGIN:

- Unpack all parts before beginning and refer to the drawing below.
- Shelf pegs and door hinges must slide into the channels of the post in the correct order. They cannot be removed individually without disassembling the whole unit.



Limited Warranty

For five full years Salamander Designs Ltd will repair or replace, at our option, any product defective in materials or craftsmanship. Salamander Designs Ltd. will not be responsible for any damage to or destruction of other equipment consequential to our equipment failure. Defective product must be given Return Authorization and is to be returned to the factory prepaid, in the original carton and packing material. Any damage incurred in a shipment not in original packaging shall be the responsibility of the owner. Warranty repairs will be returned prepaid, via UPS within the continental U.S.A. only.

Salamander Designs Ltd. 800-535-5659 • www.SalamanderDesigns.com

©2024 Salamander Designs Ltd. ® Synergy System, Patented.

1 Connect Posts to Bottom Shelf



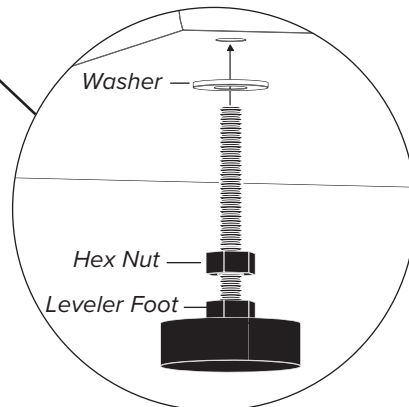
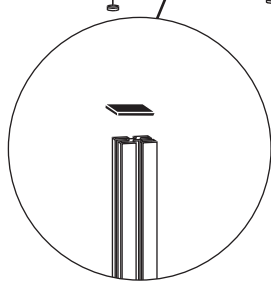
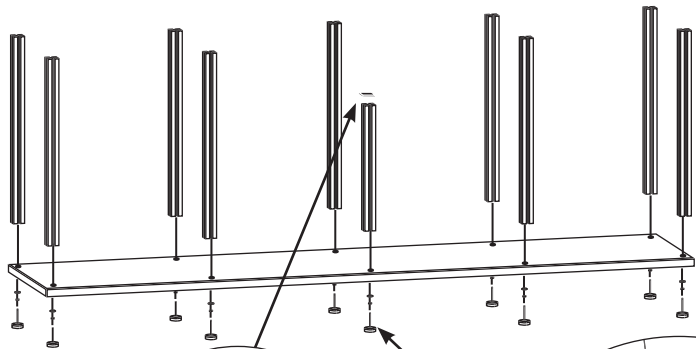
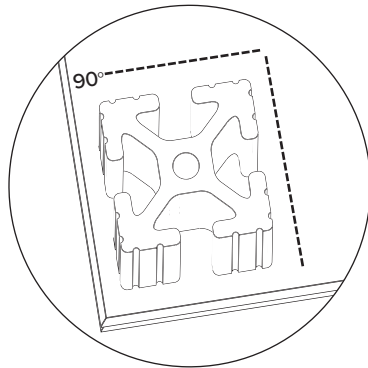
WARNING: Tighten by screwing the leveler foot NOT the post.

A. Square Post

Square the post to the bottom shelf.

B. Connect Post

Screw foot with metal washer through bottom shelf and onto the end of each extruded post. Place the 17.75" Post front and center of unit. Hand tighten fully and use wrench to tighten nut onto underside of shelf.



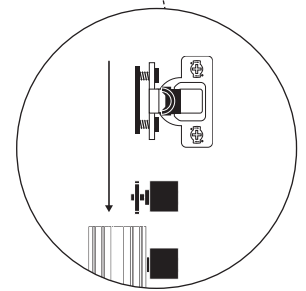
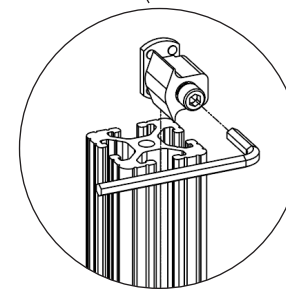
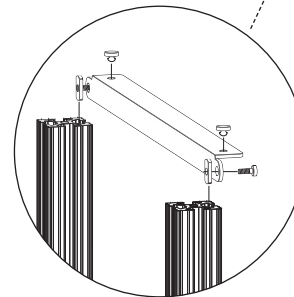
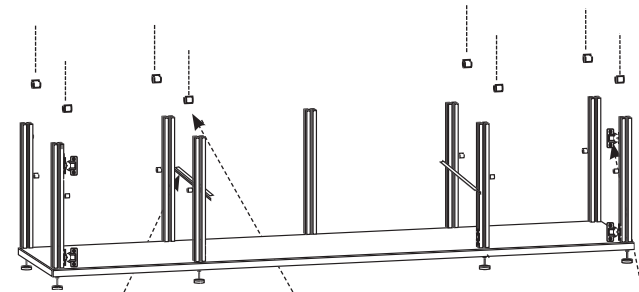
NOTE:

"BOTTOM SIDE FRONT"
Label position down, and
towards front - Both Panels

2 Add Shelf Pegs & Door Hinges

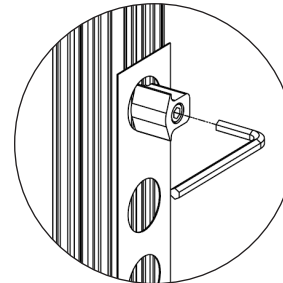
A. Shelf Pegs

They are designed to cradle the shelf in place. Refer to drawing. For Glass Cabinets, heavy duty brackets are used in place of shelf pegs.



B. Heavy Duty Bracket

The heavy duty brackets will be used to support the double-width shelf.



C. Door Hinges & Shelf Pegs

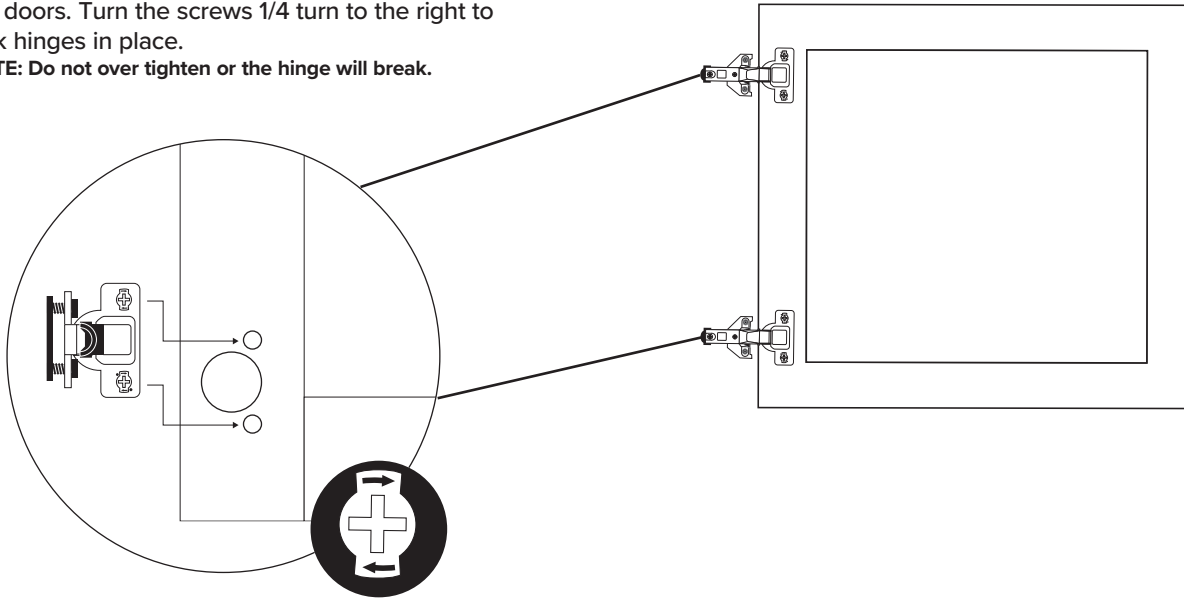
1. Slide the bottom hinge plate through the front post channels. (Doors can be either left or right side opening.)
2. Insert shelf peg into each post in quantities indicated.
3. Slide top hinge plate through front post channels.
4. For Glass Cabinets, install one shelf peg on the post opposite of the door hinges. Center it between the hinges vertically to act as a door stop.

3 Attach Doors

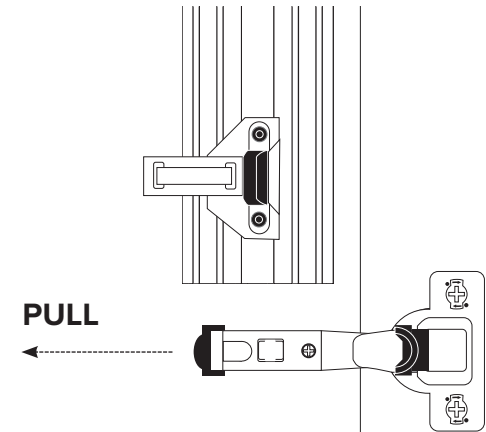
A. Attach Hinges to Door Frames

Insert the hinges into the corresponding holes on the doors. Turn the screws 1/4 turn to the right to lock hinges in place.

NOTE: Do not over tighten or the hinge will break.

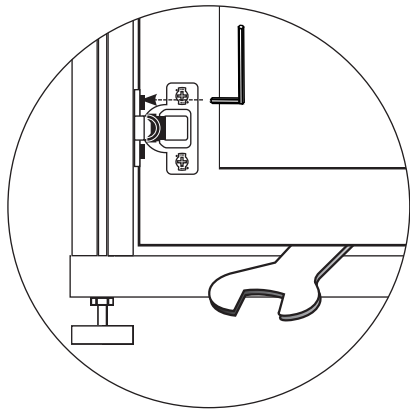


Note: The hinge can be separated by pulling the black tab and pulling apart the hinge from the hinge base. Separated hinges snap back together.



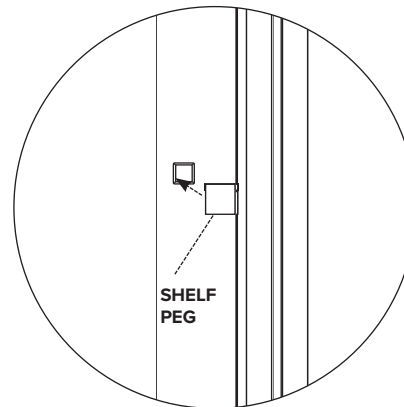
B. Adjust Clearance

Doors should be 1/8" above the bottom shelf before fully tightening hinges to post. Use the wrench thickness as a guide for the bottom gap. Secure hinges in place with hex key.



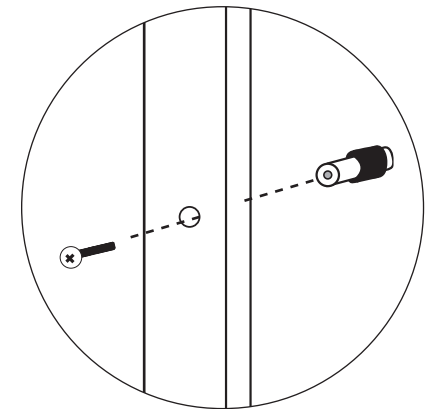
C. Rubber Stops

Attach the rubber stops to the inside of the door frame where it hits the shelf pegs.



D. Door Pull

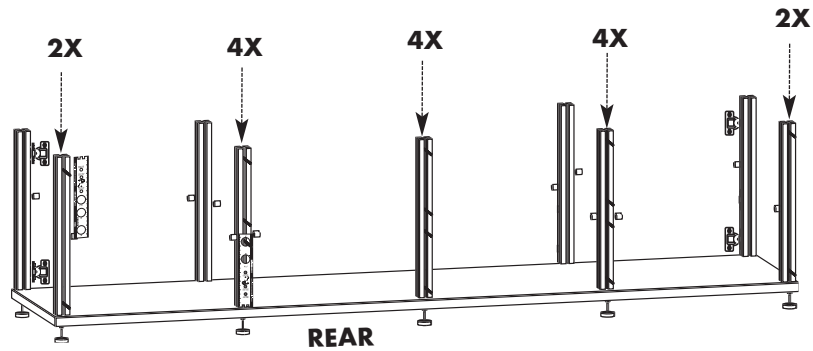
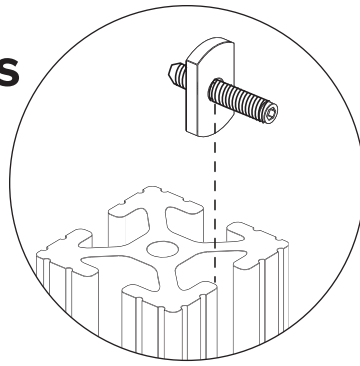
Screw the Door Pull into place.



4 Attach Rear Panels

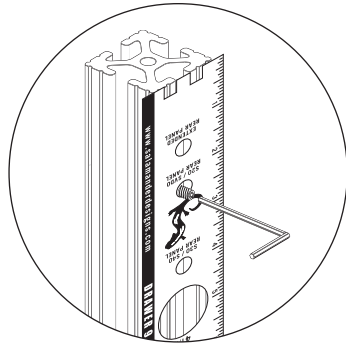
A. Insert Hardware

Combine the 1" threaded studs with the flat nuts. Slide 2 sets of hardware down the two outside posts and 4 sets down the three center posts. Allow studs to remain loose at bottom of post.



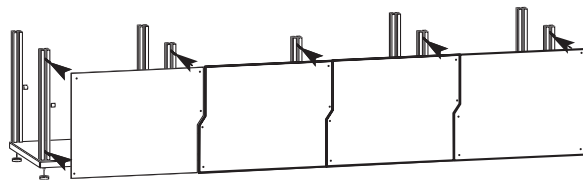
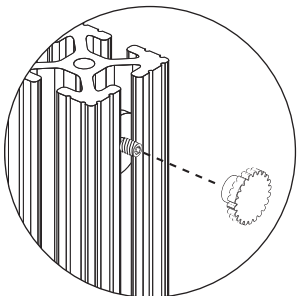
B. Position & Secure Studs

Align the Spacer Tool at the top of each post, then position top studs through the small "Rear Panel" hole. Repeat this step with the bottom studs aligning the Tool along the bottom of post to set spacing for cable passage. Use the hex key to secure the top and bottom studs to the posts.



C. Place Rear Panels

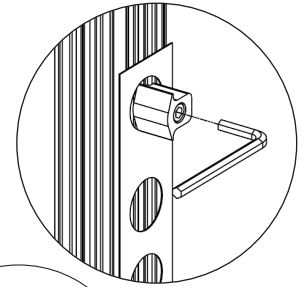
Secure each panel in place with thumb nuts.



5 Final Assembly

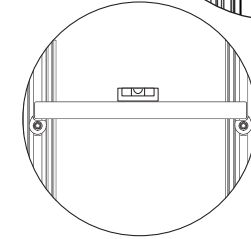
A. Placing & Adjusting Shelves

Place shelves from the bottom up. Angle the shelf in between the front post and set on top of shelf pegs. Use the Spacer Tool to adjust spacing between shelves. Position the peg through the Spacer and tighten.



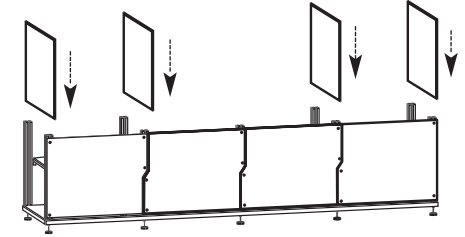
B. Fine Tuning

Use the bubble level to precisely adjust the shelves. Be sure to level both sides as well as front to back. Use the hex key to tighten each peg.



C. Insert Side Panels

Carefully slide side panels down center channel of outside posts. Be sure the posts are square to the bottom shelf to prevent any damage to side panels.



D. Secure Top

1. Secure top with the 9 connector bolts to complete installation.
2. Drive the first insert nut into the top of the open hole flush to the surface using the M6 hex key. Then drive the second insert nut into the other side of the hole flush to the bottom surface.
3. Install the joint connector bolts into both inserts using the 5/32" hex key and tighten to the surface.

