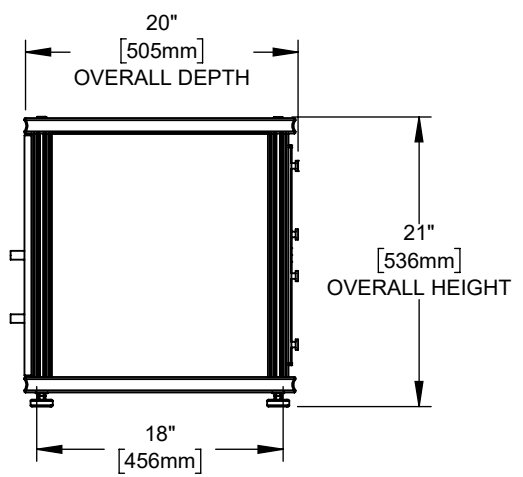
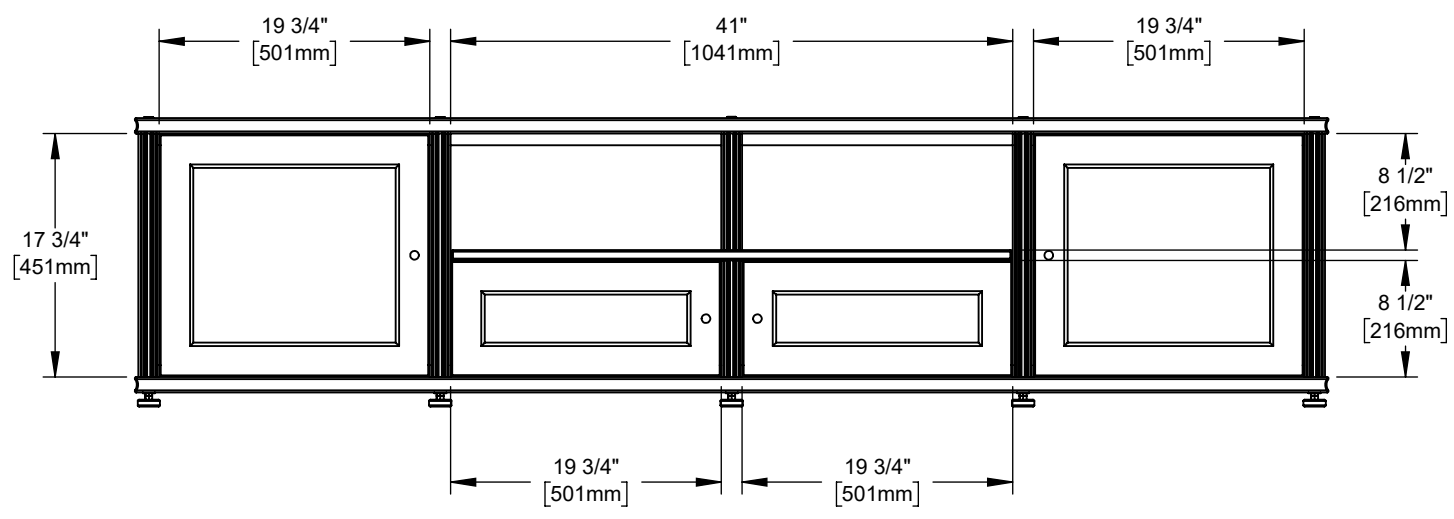
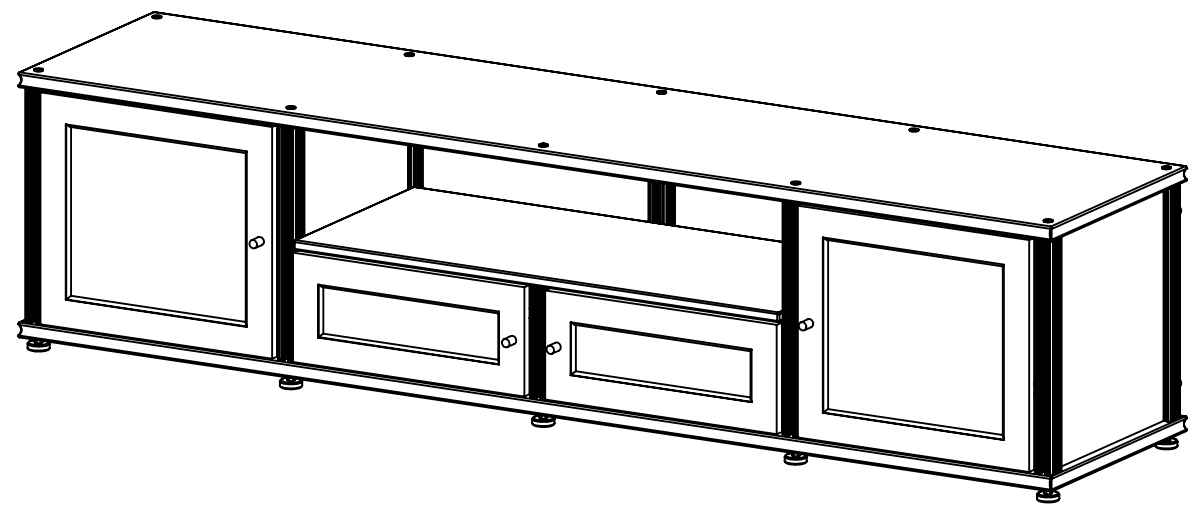
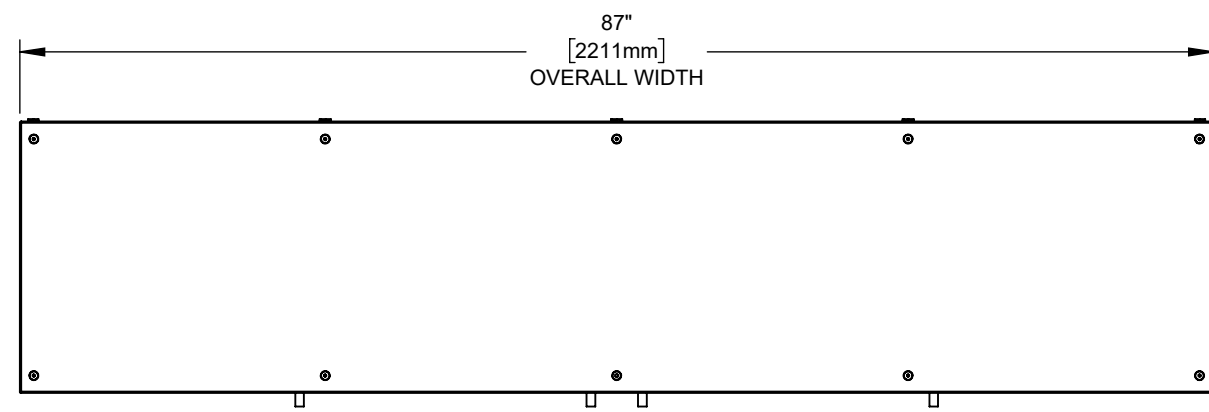



8 7 6 5 4 3 2 1

D  
C  
B  
A



PROPRIETARY INFORMATION: THIS MATERIAL AND THE CONTENTS THEREOF ARE CONSIDERED THE PROPERTY OF SALAMANDER DESIGNS. AND THE DISCLOSURE TO UNAUTHORIZED INDIVIDUALS OR DISSEMINATION, PUBLICATION, OR COPYING THEREOF IS PROHIBITED WITHOUT PRIOR WRITTEN CONSENT BY SALAMANDER DESIGNS OF BLOOMFIELD, CONNECTICUT.

 <b>811 BLUE HILLS AVE. BLOOMFIELD, CT 06002 T/ 860.761.9500 / F/ 860.313.0526</b>		<b>SIZE</b> <b>B</b>
<b>TITLE:</b> SYNERGY 245		
DRAWN BY <i>JMS</i>	DATE <i>xxx</i>	
CHECKED BY <i>xxx</i>	DATE <i>xxx</i>	
CUSTOMER APPROVAL	SHEET <i>1 OF 1</i>	
DRAWING NUMBER <i>SB245.sldrw</i>		REV <i>xx</i>

8 7 6 5 4 3 2 1