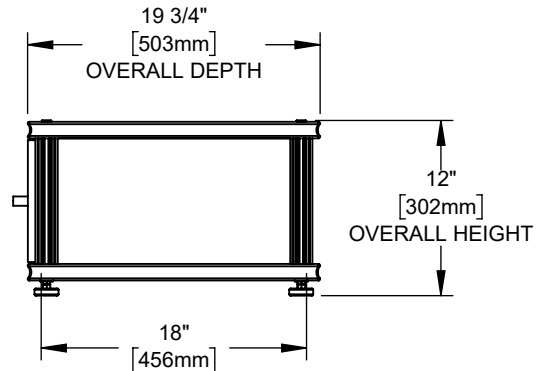
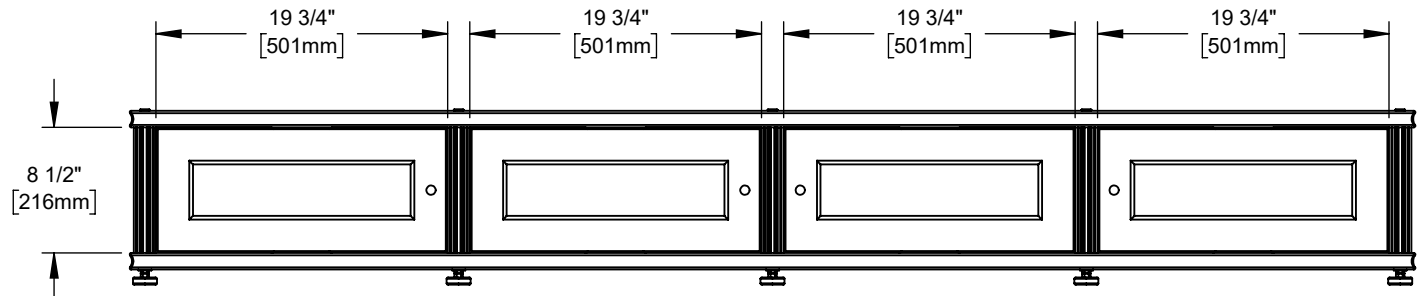
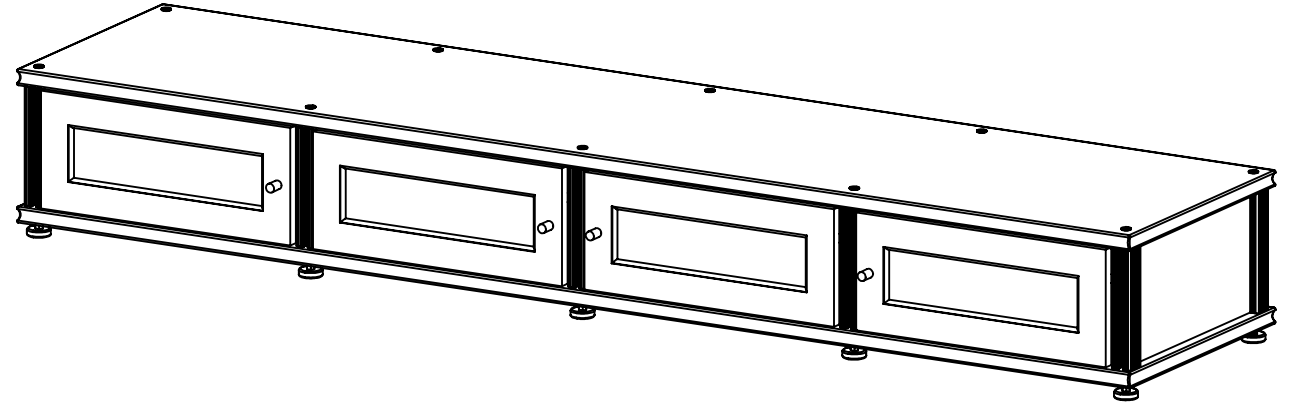
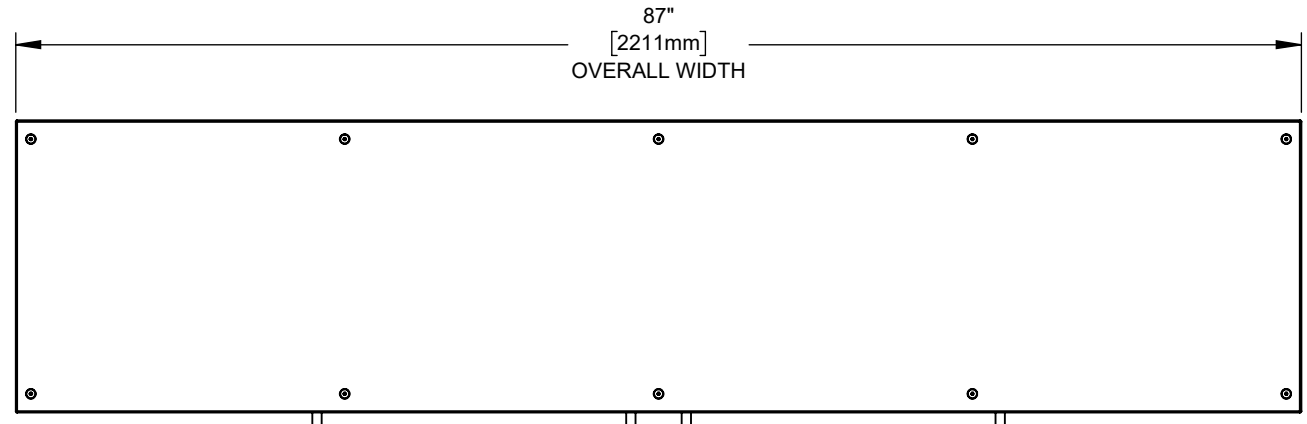



8 7 6 5 4 3 2 1

D
C
B
A



PROPRIETARY INFORMATION: THIS MATERIAL AND THE CONTENTS THEREOF ARE CONSIDERED THE PROPERTY OF SALAMANDER DESIGNS. AND THE DISCLOSURE TO UNAUTHORIZED INDIVIDUALS OR DISSEMINATION, PUBLICATION, OR COPYING THEREOF IS PROHIBITED WITHOUT PRIOR WRITTEN CONSENT BY SALAMANDER DESIGNS OF BLOOMFIELD, CONNECTICUT.

		811 BLUE HILLS AVE. BLOOMFIELD, CT 06002 T/ 860.761.9500 / F/ 860.313.0526	SIZE B
TITLE: SYNERGY 147			
DRAWN BY: JMS	DATE: xxx		
CHECKED BY: xxx	DATE: xxx		
CUSTOMER APPROVAL:	SHEET: 1 OF 1		
DRAWING NUMBER: SB147.slddrw			REV: xx

8 7 6 5 4 3 2 1