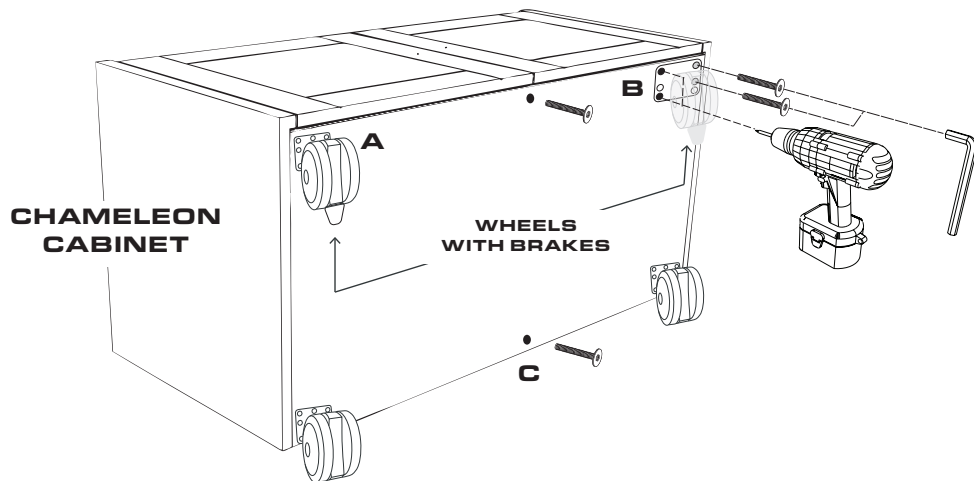
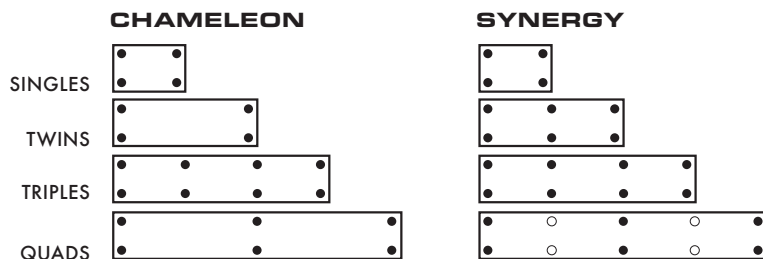
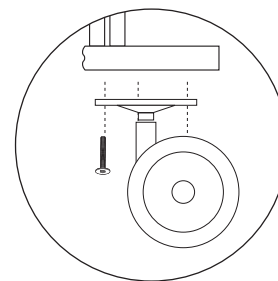


# HEAVY DUTY CASTERS

## WHEEL PLACEMENT

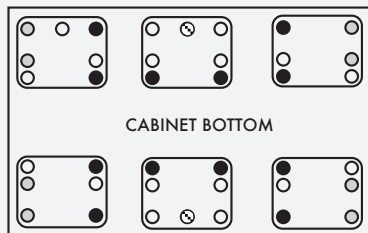


## SYNERGY CABINET

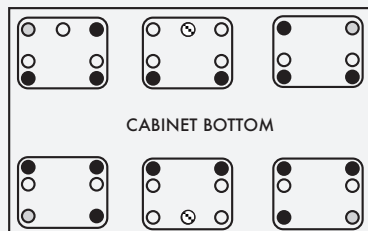


## DRILLING PATTERN

### CHAMELEON



### SYNERGY



## POSITIONING WHEEL BASEPLATE

- A. Position the wheel baseplate so that it matches the drawing below:
- B. Drill holes & fasten as shown in the drilling pattern to the left:

○ Greyed holes use joint connector bolts (JCB)

● Black holes will need to be pre-drilled before attaching with supplied wood screw. Using a drill & supplied bit, predrill to the marked depth of the bit. Attach with supplied wood screws.

⊗ Cross hatched holes use silver button head bolts.

○ Not used.

- C. Fasten posts not requiring wheels with provided JCB bolts.