

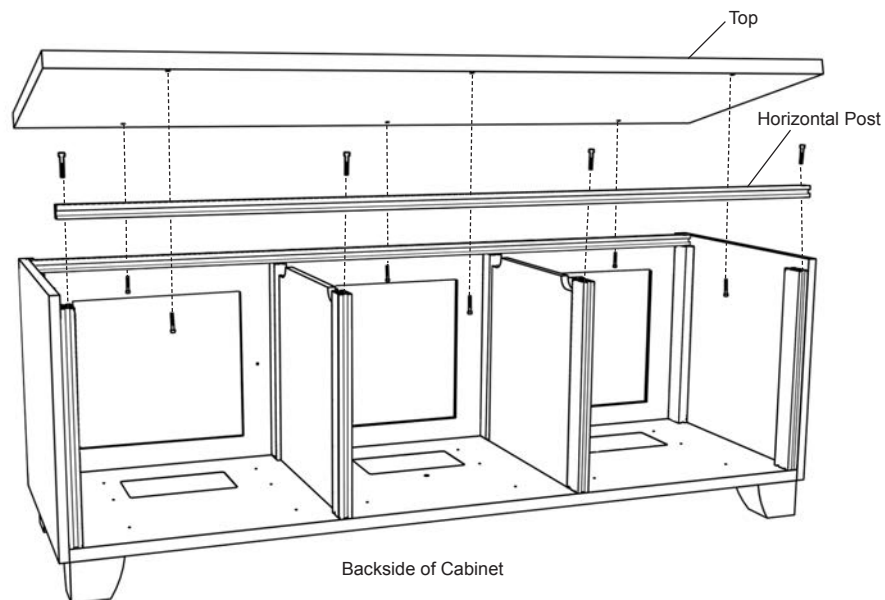


CHAMELEON TV MOUNT

CL/PM2/B FOR 3-BAY CABINETS

1. Disassemble

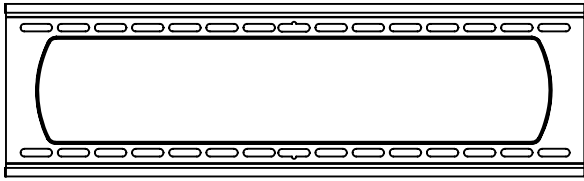
- A. Remove rear panels.
- B. Disassemble top from frame using 5/32" hex key.
- C. Disassemble horizontal post using 1/4" hex key.



Before You Begin

- This TV mount is intended for use with TVs 49"–75" with a maximum weight of 165lbs. (75kg).
- Use with products heavier than the maximum weight or larger than the size indicated may result in instability causing possible injury.
- Mounts must be attached as specified in assembly instructions. Improper installation can result in serious personal injury.

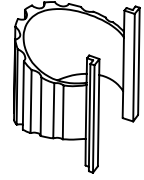
PARTS



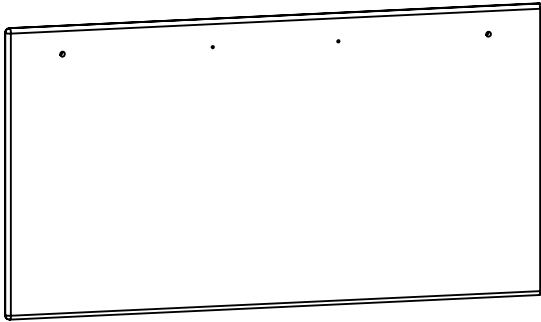
(1X) 303[366, Strong Mount



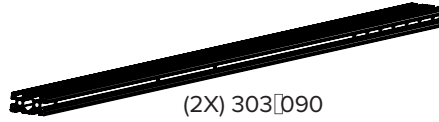
(1X) 303[345, Mount Post Top Bracket



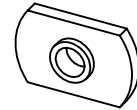
P[301[600, Pack of 5 Wire Spines



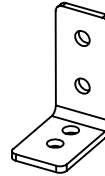
(1X) 203[670 Mount Backboard



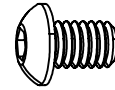
(2X) 303[090 Mount Post



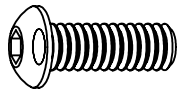
(14X) 300[520 Flat Nut



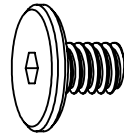
(4X) 303[335 [L] Bracket



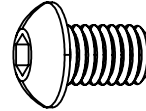
(8X) 300[518 1/4[20 x 3/8[Button Head Screw



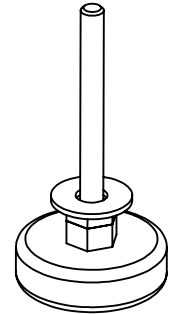
(2X) 300[585 1/4[20 x 3/4[Button Head Screw



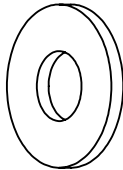
(4X) P[303[817 1/4[20 x 3/8[Joint Connector Bolt



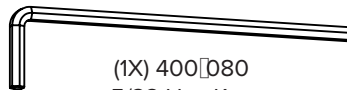
(4X) 301[015 5/16[18 x 1/2[Button Head Screw



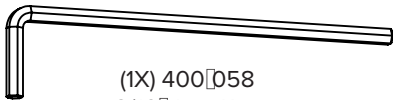
(2X) P[300[320 Leveler Foot



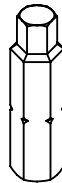
(2X) 5/16[Flat Washer



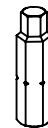
(1X) 400[080 5/32 Hex Key



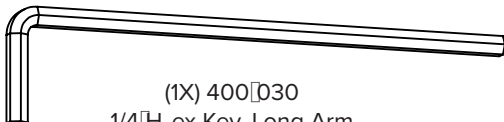
(1X) 400[058 3/16[H ex Key



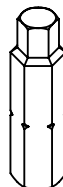
(1X) 300[494 3/16[x 25mm Hex Bit



(1X) 300[496 5/32 x 25mm Hex Bit




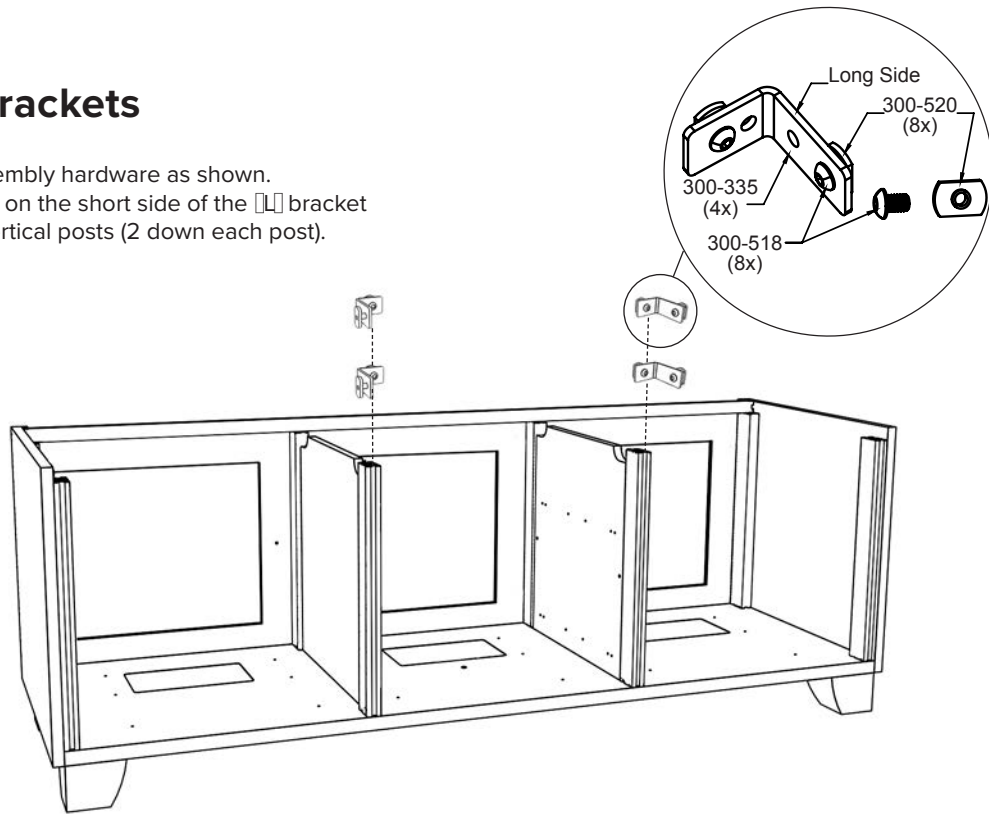
(1X) 400[030 1/4[H ex Key, Long Arm



(1X) 300[492 1/4 x 25mm Hex Bit

2. Install Brackets

- A. Loosely assembly hardware as shown.
- B. Slide flat nut on the short side of the  bracket down the vertical posts (2 down each post).



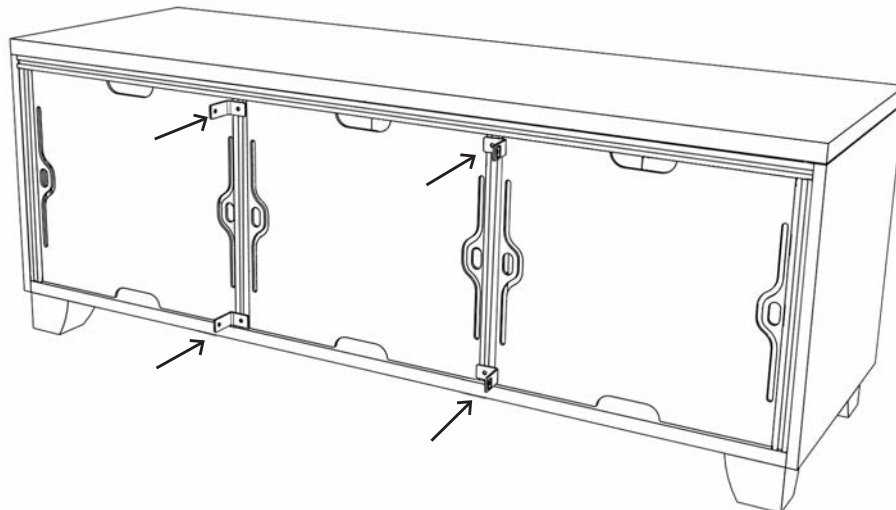
3. Reassemble

Reassemble horizontal post, top and rear panels.

4. Secure Brackets

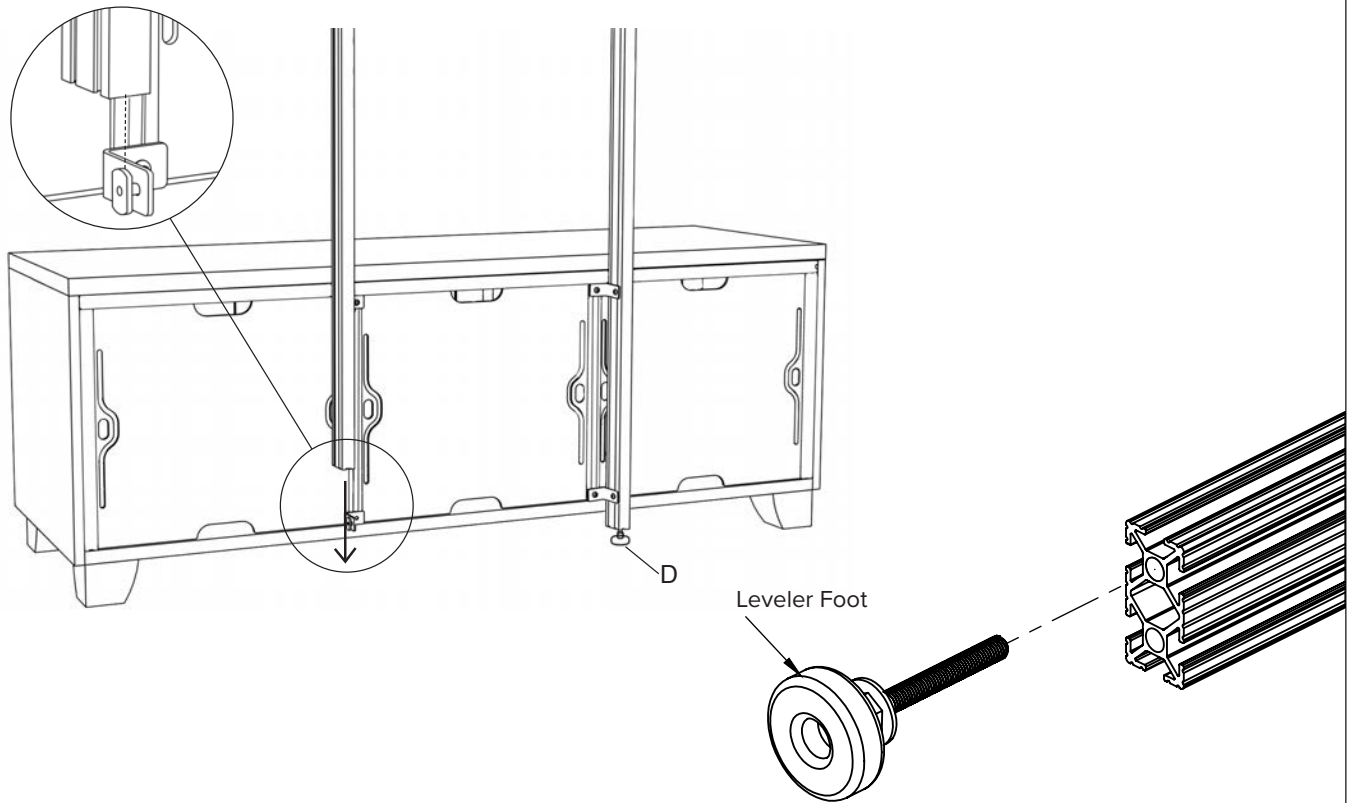
Secure one bracket at the top and secure one at the bottom of both vertical posts.

Note: The positions of the brackets in the drawing.



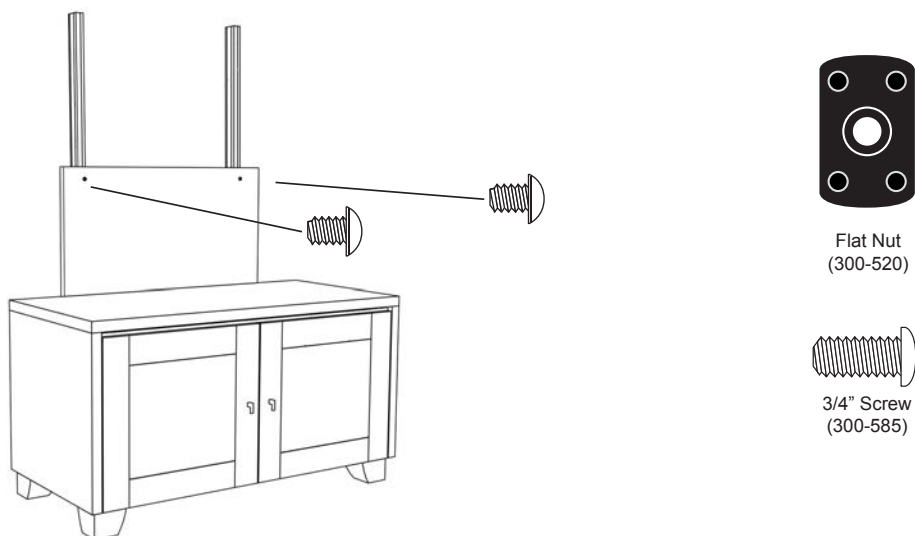
5. Install Posts

- A. Loosely assemble 3/8" length screw with a flat nut in L Brackets.
 - B. Install by sliding posts into flat nuts in the large side channel of the posts.
 - C. Secure in place after feet are installed (D).
 - D. Twist nut on leveler foot to the bottom of the foot. At the end of each post screw the leveler foot into the end.
- Note:** Screw the levelers into the slots furthest from the cabinet.



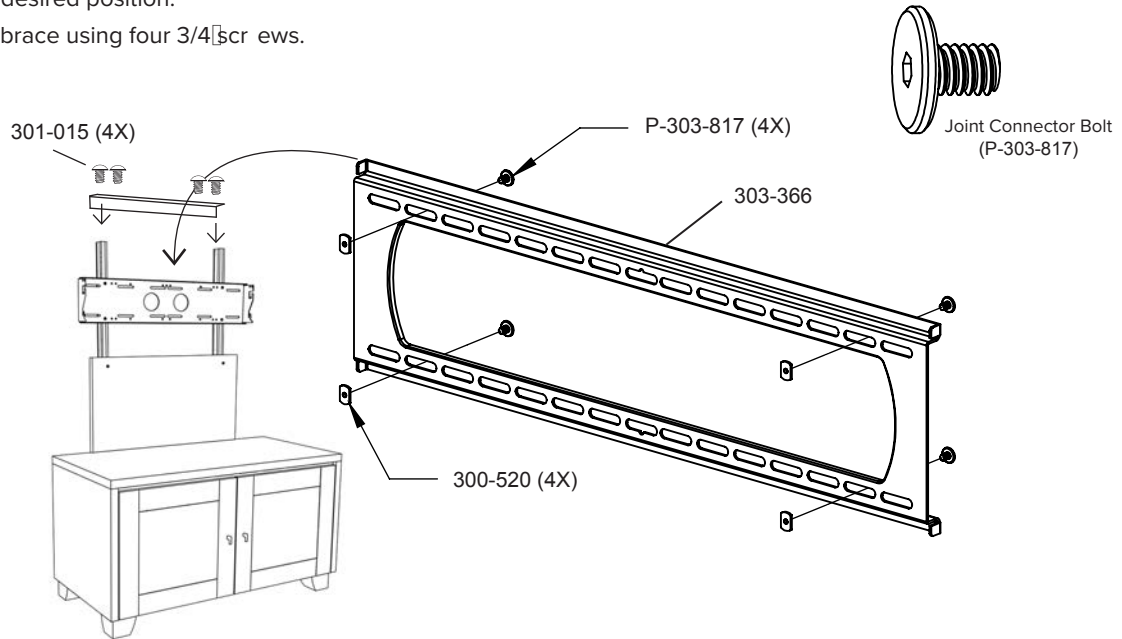
6. Install Black Panel

- A. Loosely assemble 3/4" length screw with flat nut as shown (2x).
- B. Install black panel by sliding the panel with flat nuts down the front post channels then secure in place.



7. Install TV Bracket and Top Brace

- A. Locate Large Bracket in Strong Mount Box. Loosely install hardware through holes indicated ($3/8$ " length screws, washers, and flat nuts).
- B. Install Large Bracket by sliding flat nuts down the front post channels, following the black panel. Secure at desired position.
- C. Install top brace using four $3/4$ " screws.

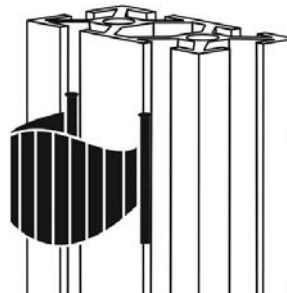


8. Included is an additional instruction for the Strong display mount.

Please refer to that instruction starting with step 2 to proceed.

9. Wire Management

After installing your components, gather wires/cables and attach wire managers by clipping in post channels.



LIMITED WARRANTY

Salamander is proud to stand behind our products with industry-leading warranties. Should you ever encounter any problem with your Salamander product, let us know. We are here to make it right. 1.800.535.5659 ☎860.761.9500

Full warranty including limitations and warranty claim information may be found at www.salamanderdesigns.com/customer-service/warranty/

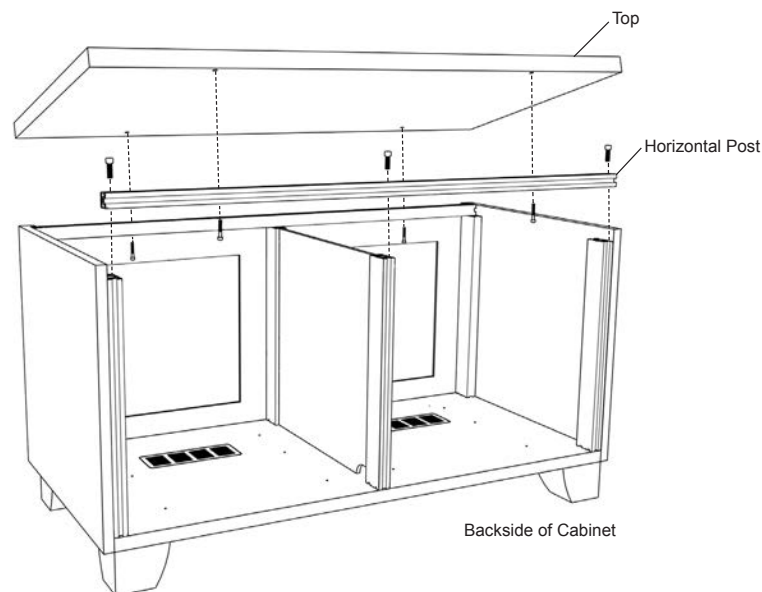


CHAMELEON TV MOUNT

CN/PM2/B & CQ/PM2/B FOR 2-BAY & 4-BAY CABINETS

1. Disassemble

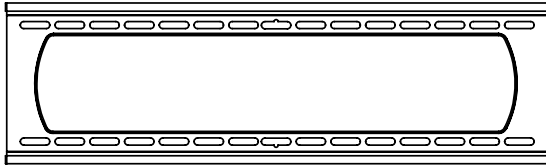
- A. Remove rear panels.
- B. Disassemble top from frame using 5/32" hex key.
- C. Disassemble horizontal post using 1/4" hex key.



Before You Begin

- **This TV mount is intended for use with 2-bay cabinet supporting TV[s] 49[55] or 4-bay cabinets supporting TV[s] 49[85] with a maximum weight of 165lbs. (75kg).**
- Use with products heavier than the maximum weight or larger than the size indicated may result in instability causing possible injury.
- Mounts must be attached as specified in assembly instructions. Improper installation can result in serious personal injury.

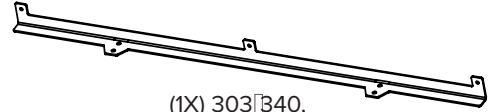
PARTS



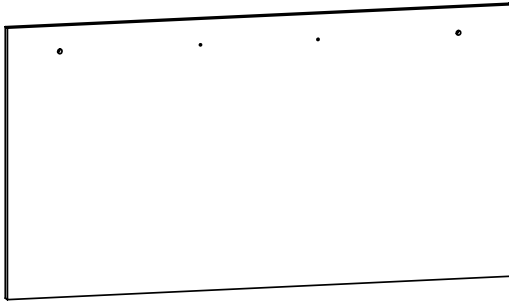
(1X) 303[B366, Strong Mount



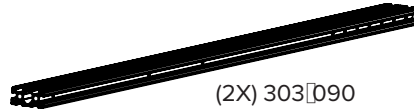
(1X) 303[B45, Mount Post
Top Bracket



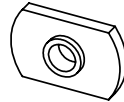
(1X) 303[B40,
C-Frame Flat Panel
Mount, Bottom Brace



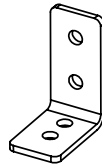
(1X) 203[B70
Mount Backboard



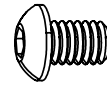
(2X) 303[D90
Mount Post



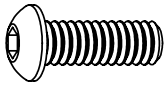
(13X) 300[B520
Flat Nut



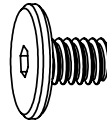
(2X) 303[B35
L-Bracket



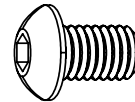
(7X) 300[B518
1/4" x 3/8"
Button Head Screw



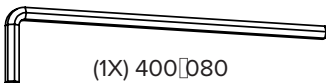
(2X) 300[B585
1/4" x 3/4"
Button Head Screw



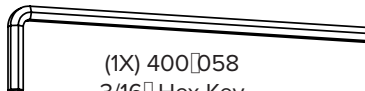
(4X) P[B303[B17
1/4" x 3/8"
Joint Connector Bolt



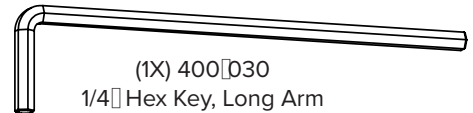
(6X) 301[D015
5/16" x 1/2"
Button Head Screw



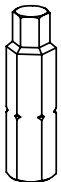
(1X) 400[D80
5/32 Hex Key



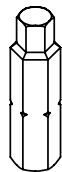
(1X) 400[D58
3/16" Hex Key



(1X) 400[D30
1/4" Hex Key, Long Arm



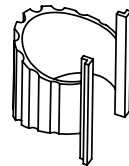
(1X) 300[B496
5/32" x 25mm H ex Bit



(1X) 300[B494
3/16" x 25mm H ex Bit



(1X) 300[B492
1/4" x 25mm Hex Bit

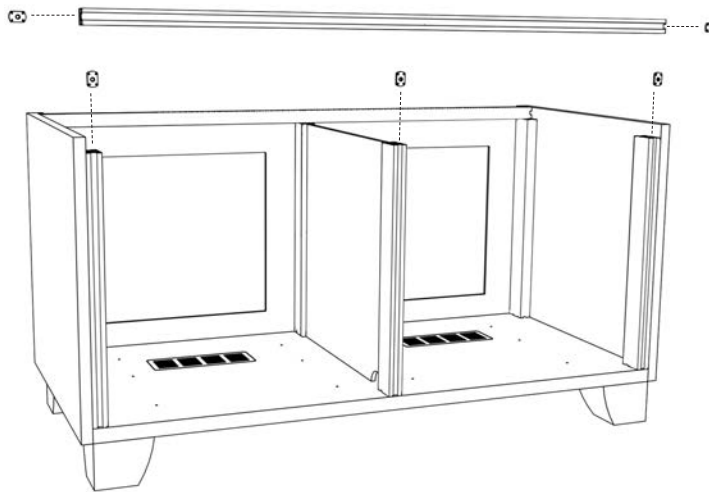


P[B301[B600, Pack of 5
Wire Spines

2. Install Flat Nuts

Slide five flat nuts into the rear t[5]slot at locations shown.

Note: Flat nut may be put in with either side facing out.

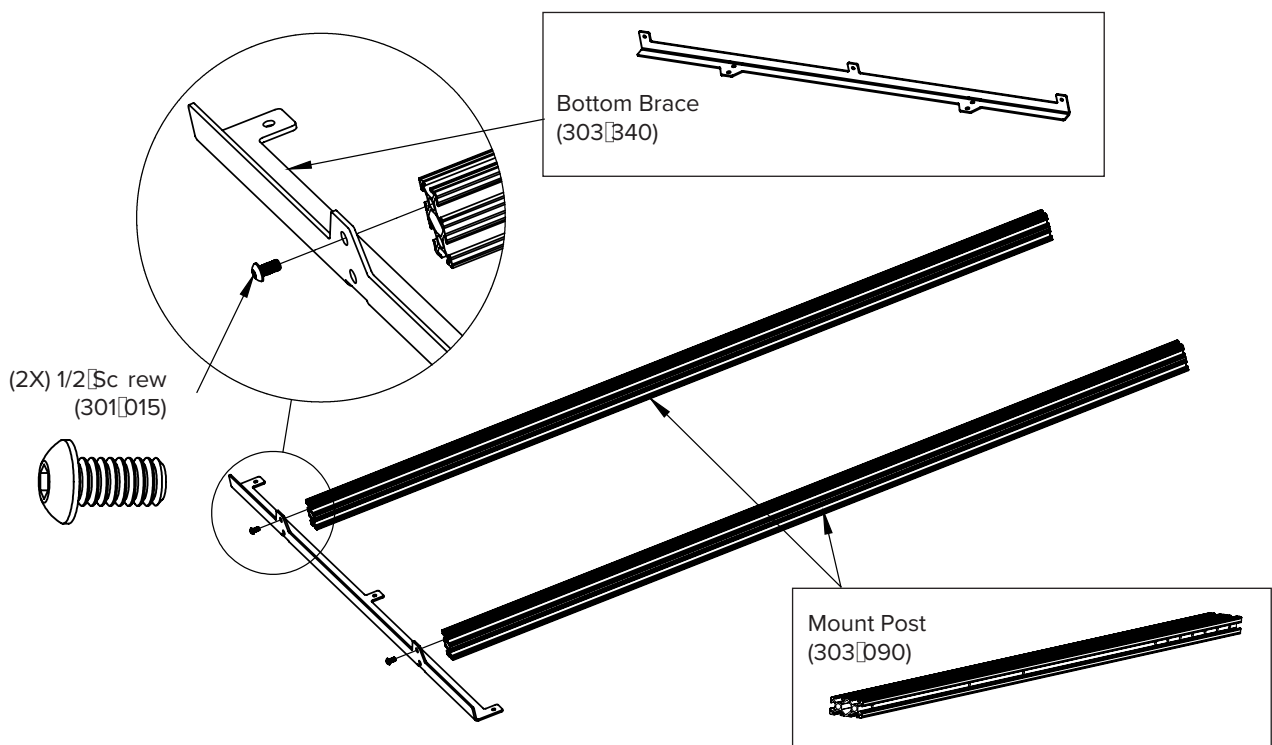


3. Re[1]assemble

Re[1]assemble horizontal post, top and rear panels.

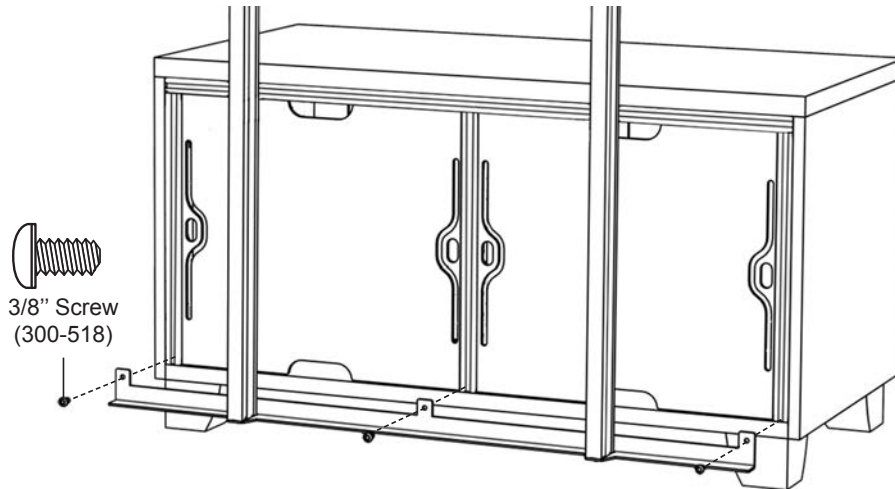
4. Assemble Mount

Secure Bottom Brace to TV Posts with 1/2[1] length screws.



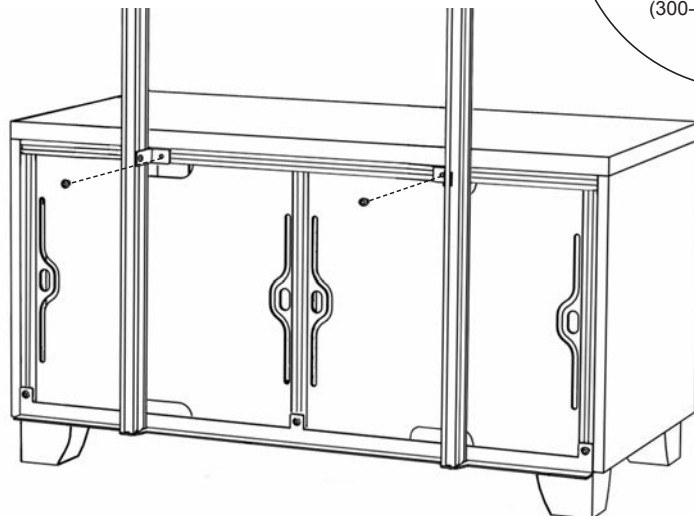
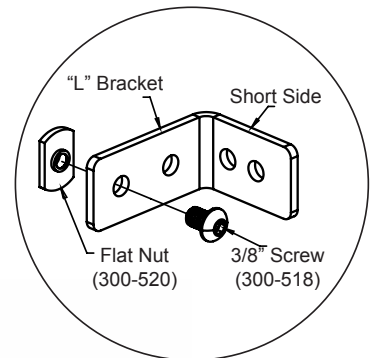
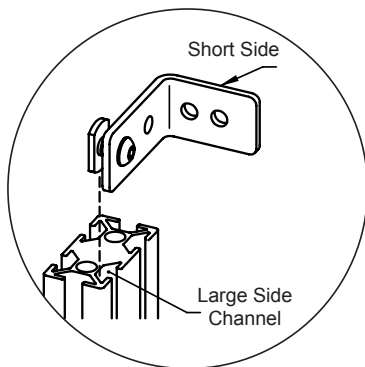
5. Attach Mount to Cabinet

Using 3/8" length screws, secure bottom brace into flat nuts in vertical posts.



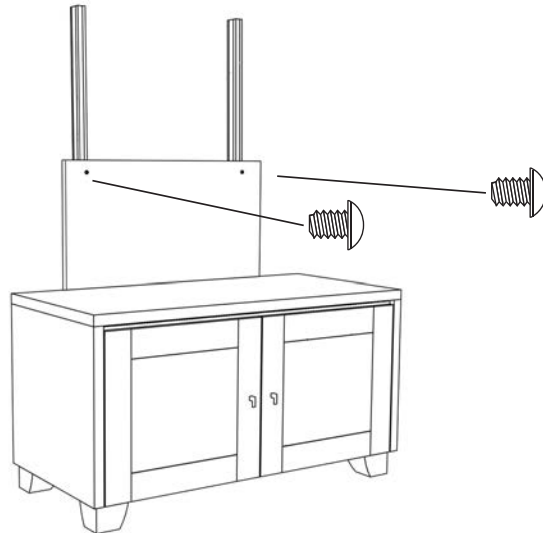
6. Attach L Brackets

- A. Loosely assemble hardware through L brackets as shown.
- B. Slide L brackets with flat nuts down large channel from top of TV Posts.
- C. Use 3/8" length screw through hole in short side of L bracket to secure to flat nuts in horizontal post. In vertical posts secure L brackets.

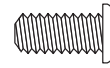


7. Install Black Panel

- A. Loosely assemble 3/4" length screw with flat nut as shown (2x).
- B. Install black panel by sliding the panel with flat nuts down the front post channels then secure in place.



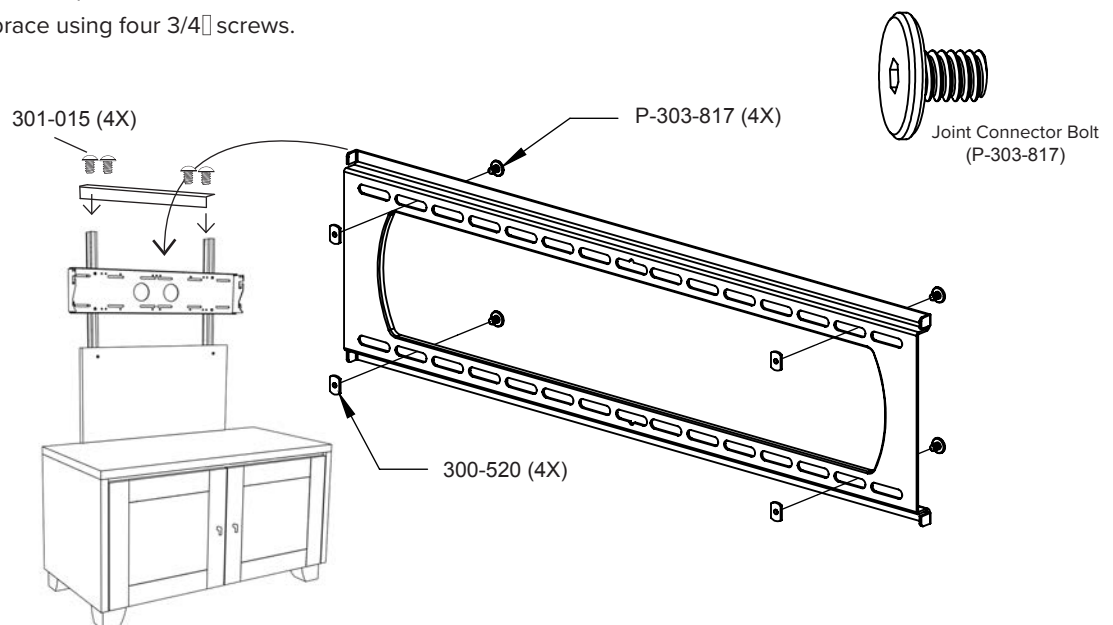
Flat Nut
(300-520)



3/4" Screw
(300-585)

8. Install TV Bracket and Top Brace

- A. Locate Large Bracket in Strong Mount Box. Loosely install hardware through holes indicated (3/8" length screws, washers, and flat nuts).
- B. Install Large Bracket by sliding flat nuts down the front post channels, following the black panel. Secure at desired position.
- C. Install top brace using four 3/4" screws.

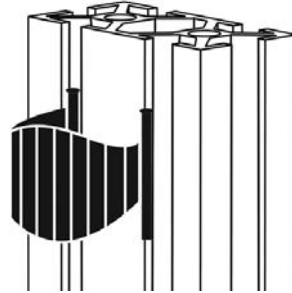


9. Included is an additional instruction for the Strong display mount.

Please refer to that instruction starting with step 2 to proceed.

10. Wire Management

After installing your components, gather wires/cables and attach wire managers by clipping in post channels.



LIMITED WARRANTY

Salamander is proud to stand behind our products with industry-leading warranties. Should you ever encounter any problem with your Salamander product, let us know. We are here to make it right. 1.800.535.5659 ☎860.761.9500

Full warranty including limitations and warranty claim information may be found at www.salamanderdesigns.com/customer-service/warranty/