

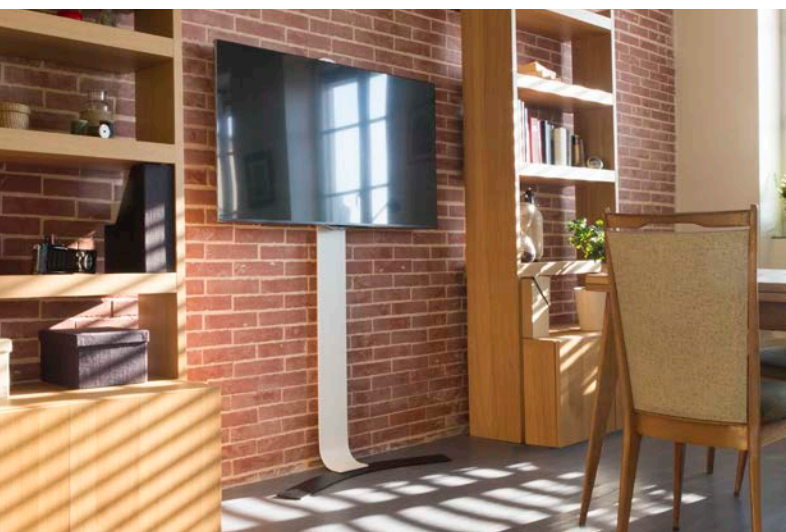


**ACADIA**  
Wall Stand



## Beautifully Mount Your TV Anywhere Without Construction or Drilling.

The stylish ACADIA Wall Stand, by Salamander Designs, enables you to put a flat screen or TV in literally anywhere without any wall damage or construction. This elegant, ultra-slim design fits in beautifully in any home entertainment room, home office, bedroom – or any location where you want a display without taking up floor or wall space.







**Sleek, modern  
solution for any  
home or office  
spaces.**



# Mounting a TV has never been this simple!

Regardless of your room, wall type or display screen size, ACADIA Wall Stand allows you to hang your TV without drilling or hassle.

## Acadia Wall Stand Large and X-Large



3 Point Geometry Support



Thick Steel Structure



Stabilizing Pad (made of elastomer)



**ACADIA:** Delivered with possibility of fixing by drilling for public places



Wire Management



Can Be Painted



Anti-tip Device

# ACADIA WALL STAND – today’s most innovative way to mount your screen without trade companies or drilling.

- Sleek form factor with complete cable management
- Sturdy anti-tip, anti-fall device with stabilizing pad
- Two models to support most 30- to 85-inch screens
- Built of sturdy steel in white which can be painted to match your wall.

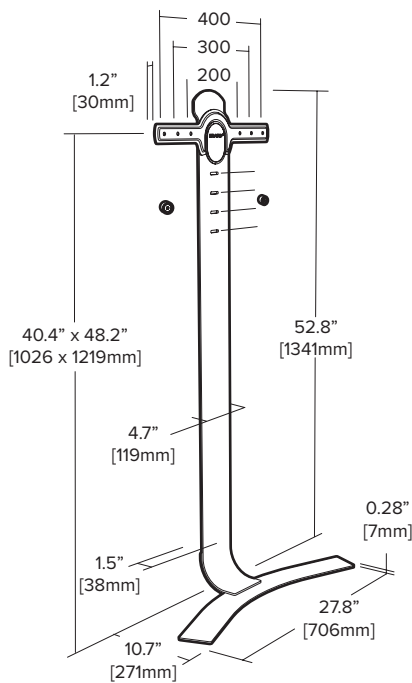
- Acadia is backed by Salamander Designs premium service and a full 5-year Warranty.
- Adjustable screen height with 5 positions in 2-inch increments
- Steel structure is available in white or black, and may be painted
- 3 parts for a 5-minute installation

## ACADIA **L**

MSRP

AC/W/L400/WH	ACADIA L400	\$399
--------------	-------------	-------

Max. height for baseboard  
 Height: 2.75" (70mm)  
 Thickness: 1.3" (33mm)



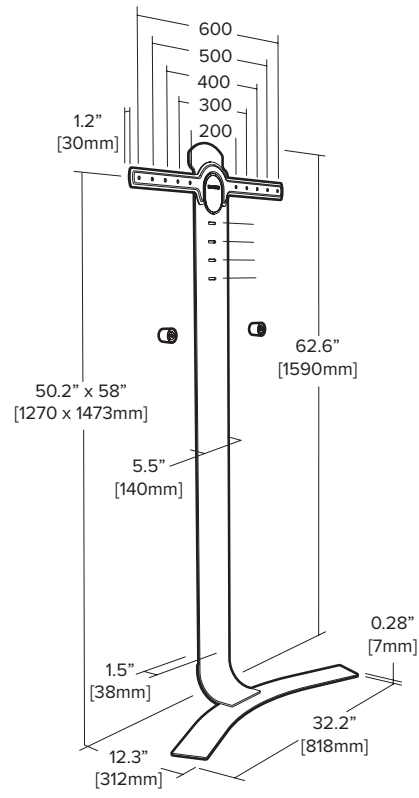
**L** 30" - 65"  
 66lbs (30kg)  
 VESA 200>400  
 Anti-tip device

## ACADIA **XL**

MSRP

AC/W/XL600/WH	ACADIA XL600	\$499
---------------	--------------	-------

Max. height for baseboard  
 Height: 2.75" (70mm)  
 Thickness: 1.3" (33mm)



**XL** 40" - 85"  
 99lbs (45kg)  
 VESA 200>600  
 Anti-tip device

