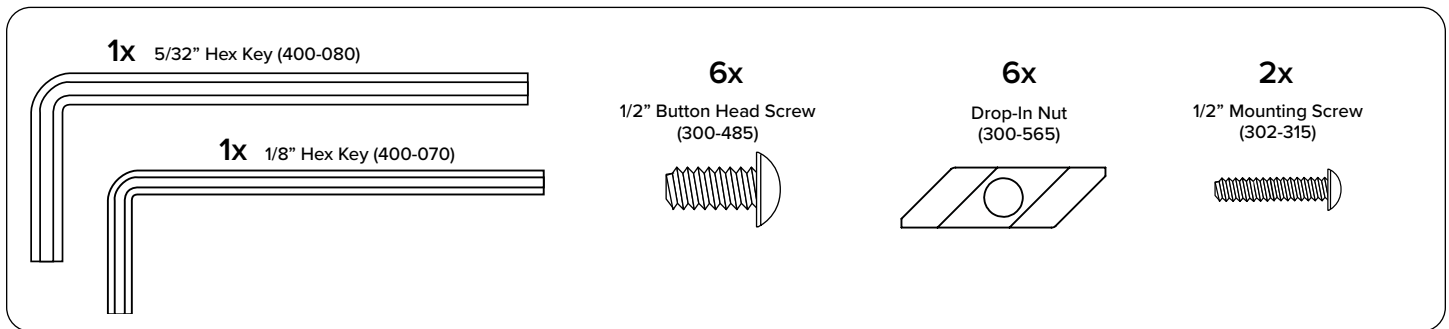




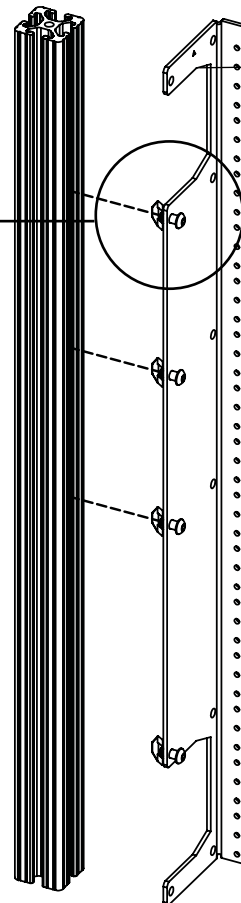
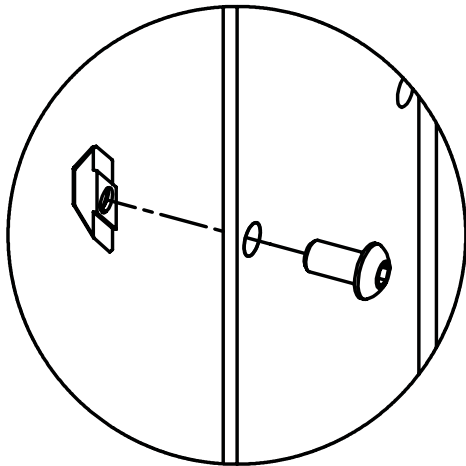
SYNERGY CABINET-LENGTH RACK RAILS

ACCOMMODATES DOOR



1 Place the 1/2" Button Head Screw (300-485) through the rack rail and loosely screw to Drop-In Nut (300-565).

2 Slide Rack Rail into position with the Drop-In Nuts (lengthwise) sliding into the channel as shown. After rail is in position tighten all screws with hex key.

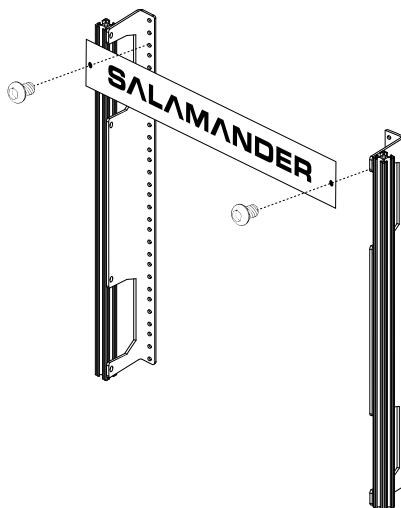


▲
Top of rail.

Note: Installing Gear Forward

Rack rails may also be installed with the flange forward in applications the door is not desired and additional cabinet depth is needed.

3 (15U Model Only)
Install header panel along the top of the rack rails using mounting screws (302-315).



Limited Warranty: For five full years Salamander Designs Ltd. will repair or replace, at our option, any product defective in materials or craftsmanship. Salamander Designs Ltd. will not be responsible for any damage to or destruction of other equipment consequential to our equipment failure. Defective product must be given Return Authorization and is to be returned to the factory prepaid, in the original carton and packing material. Any damage incurred in a shipment not in original packaging shall be the responsibility of the owner. Warranty repairs will be returned prepaid, via UPS within the continental U.S.A. only.

