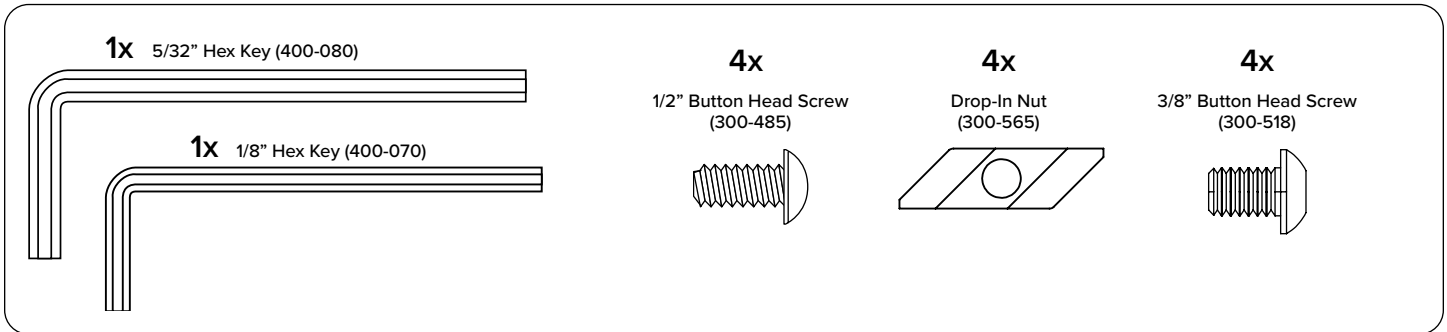




# CABINET RACK RAILS

## Component Length

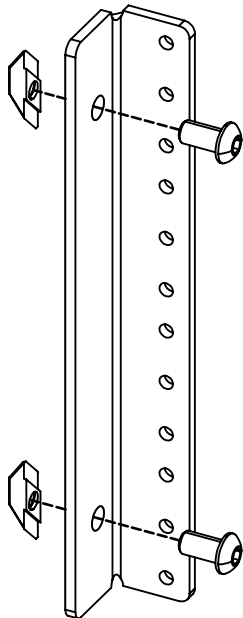


### 1 For Synergy:

Assemble the 1/2" Screw (300-485) through the Rack Rail and loosely screw to Drop-in-nut (300-565).

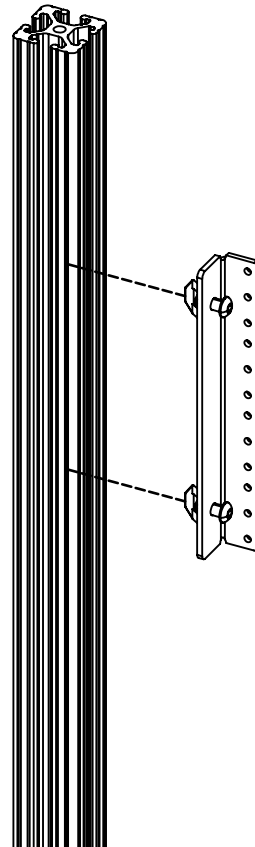
### For Chameleon:

Assemble the 3/8" screw (300-518) through the Rack Rail and loosely screw to Drop-in Nut (300-565).



### 2

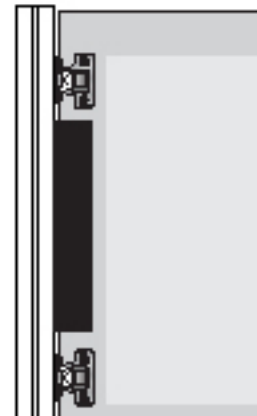
Place the Rack Rail into position with the Drop-in Nuts (vertically) sliding into the channel as shown. After bracket is in position tighten all screws with Hex Key.



### Note:

#### Installing Gear Forward

Rack Rails may also be installed with the flange forward in applications the door is not desired and additional cabinet depth is needed.



#### Installing Behind Door

Install Rack Rails away from door hinges.

