

CHAMELEON RACK RAIL KIT

CA/RM10U – CA/RM15U

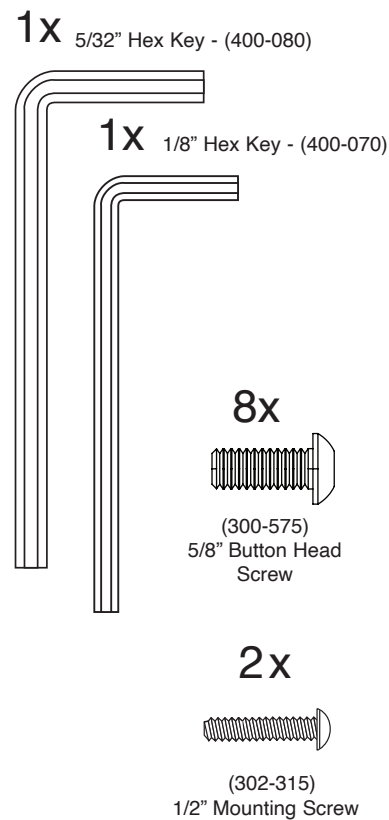
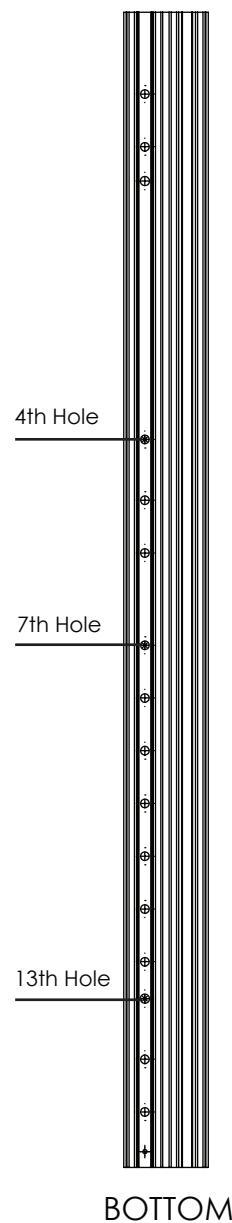


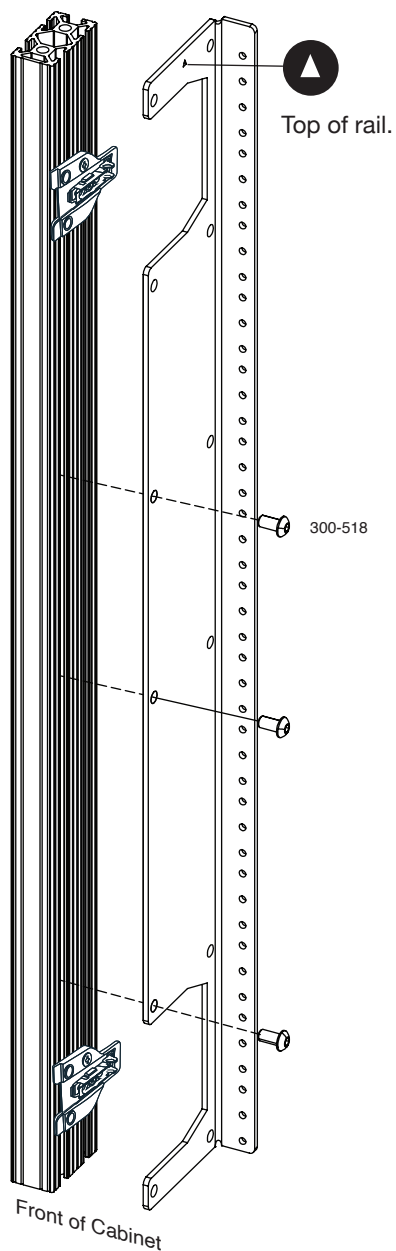
Figure A



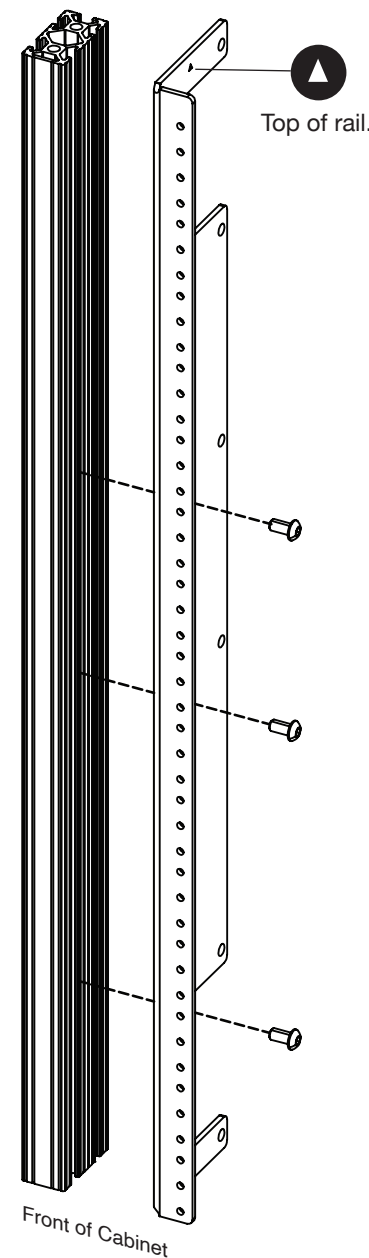
1
Place rack rail along the extrusion, aligning 3 holes on the extrusion (Figure A) with 3 holes on rack rail.

***2**
Lock rack rail in place using the button head screws (300-575).

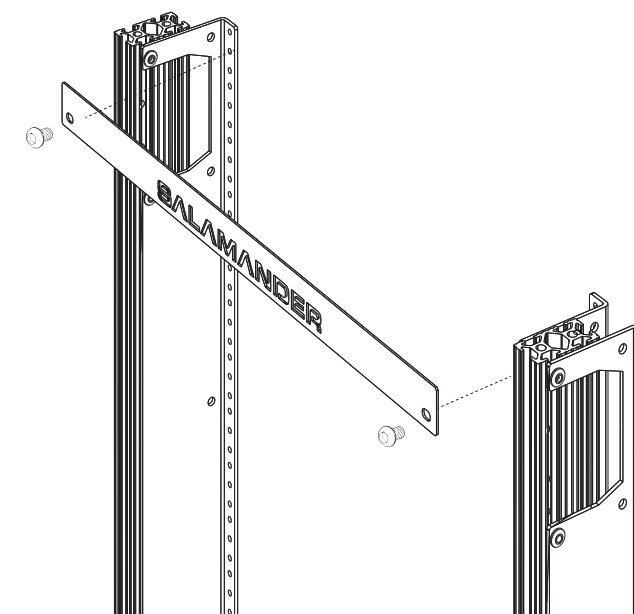
WITH DOOR



WITHOUT DOOR



3 (15U Model Only)
Install header panel along the top of the rack rails using mounting screws (302-315).



Limited Warranty

For five full years Salamander Designs Ltd. will repair or replace, at our option, any product defective in materials or craftsmanship. Salamander Designs Ltd. will not be responsible for any damage to or destruction of other equipment consequential to our equipment failure. Defective product must be given Return Authorization and is to be returned to the factory prepaid, in the original carton and packing material. Any damage incurred in a shipment not in original packaging shall be the responsibility of the owner. Warranty repairs will be returned prepaid, via UPS within the continental U.S.A. only.



www.SalamanderDesigns.com
800-535-5659

Doc No. 500-455/v10.21 ©2021 Salamander Designs Ltd.

***Alternate Hardware**
Optional installation using flat-nuts and screws requires disassembly of cabinet.

