



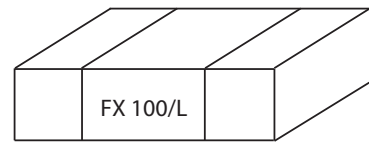
SYNERGY TRIPLE PANEL MOUNT

SL/PM2

BEFORE YOU BEGIN

- This TV mount is intended for use with Flat-Panel TV 60" or smaller and a maximum weight of 175lbs.
- Use with products heavier than the maximum weight or larger than the size indicated may result in instability causing possible injury.
- Carefully inspect the mount for shipping damage or missing parts. If any damage is apparent or you are missing parts contact Salamander Designs at 800-535-5659.
- Read ALL instructions before assembly. If you have any questions, please contact your installation contractor or Salamander Designs.
- Mounts must be attached as specified in assembly instructions. Improper installation can result in serious personal injury.

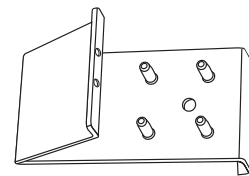
PARTS



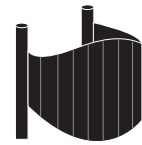
Fx 100/L Mount Kit



2 Extruded Posts



R (2x) 301-422 Base Plate

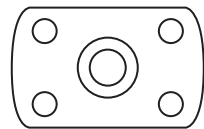


S (5x) 301-600 Wire Manager

SYNERGY TRIPLE MOUNT HARDWARE BAG -PHK-516



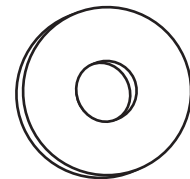
F (8x) 300-485
Button Head Screw



G (16x) 300-560
Flat Nut



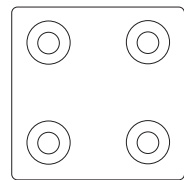
K (2x) 300-555
2" Button Head



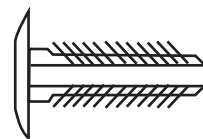
L (2x) 300-470
Metal Washer



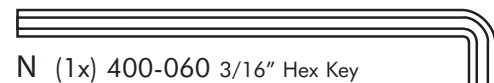
M (8x) 300-505
Cup Point Set Screw



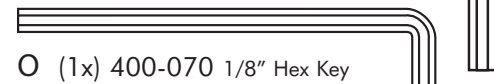
P (2x) 301-425
Post Cover



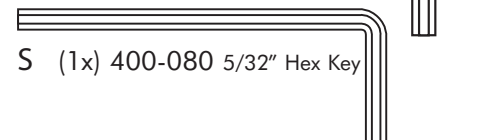
Q (8x) 301-575
Plastic Fasteners



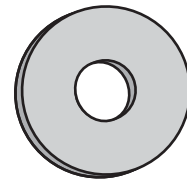
N (1x) 400-060 3/16" Hex Key



O (1x) 400-070 1/8" Hex Key



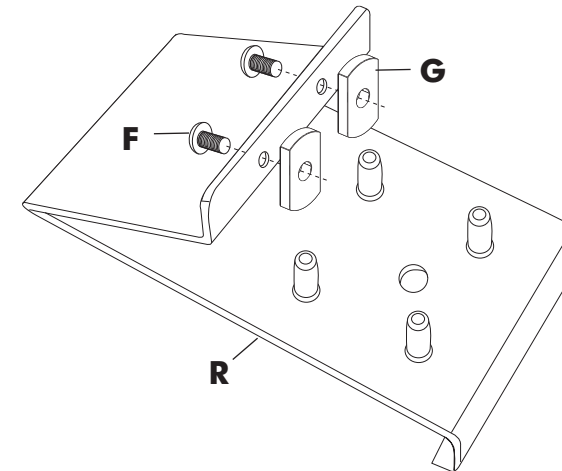
S (1x) 400-080 5/32" Hex Key



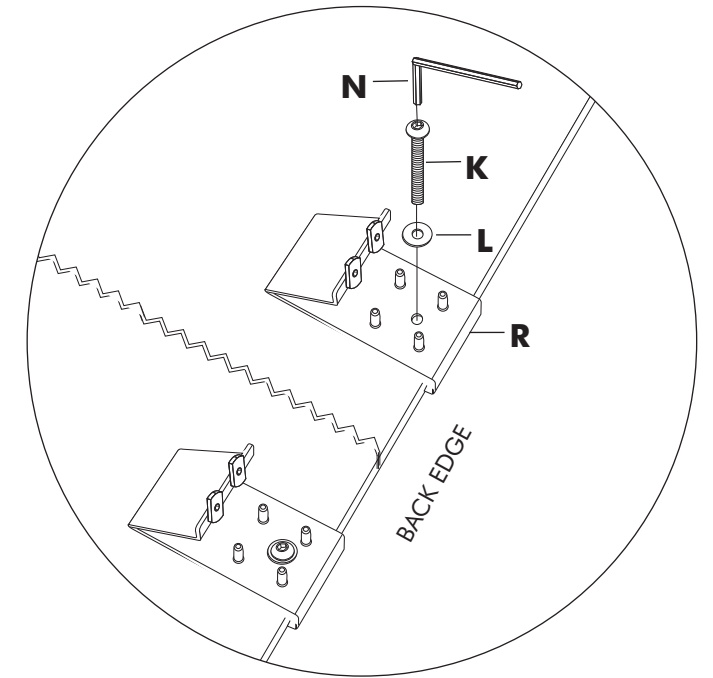
R (4x) 300-468
Black Washer

1. INSTALL BASE PLATES

A. Loosely assemble 2 flat nuts (G) with 2 button head screws (F) through each base plate (R).

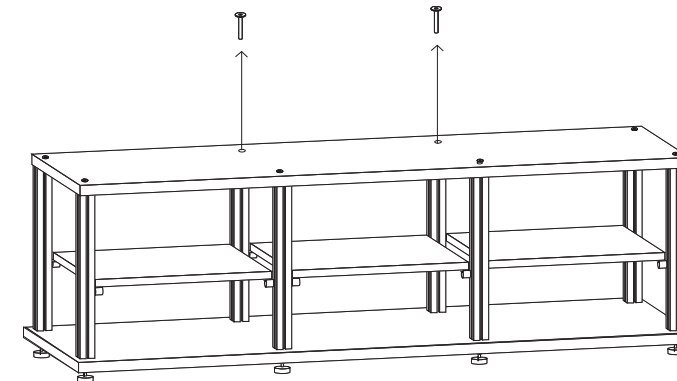


B. Secure the base plates (R) to the two rear center posts with the 2" button head screws (K) and washers (L). Tighten firmly with hex key (J).



NOTE:

If installing mount to an assembled triple unit, remove the two rear center connector bolts. Replace with base plates (R).



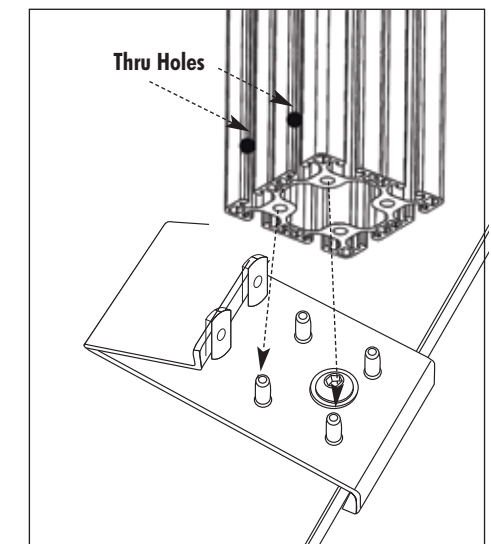
2. INSTALL POSTS

A. Align thru holes in posts over the pins in the base plates.

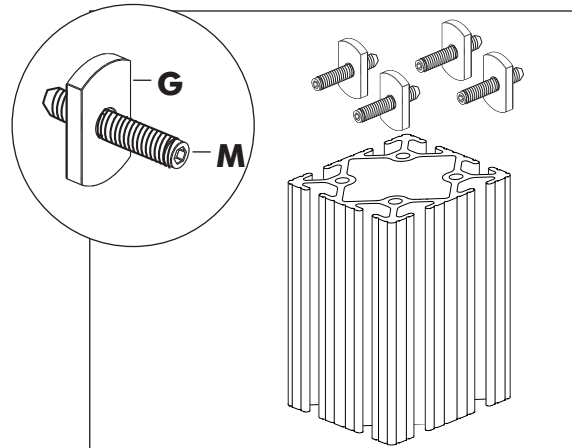
Guide the flat nuts (G) through the front of the posts.

If necessary, use rubber mallet or other device to ensure the posts fits snugly against the top surface.

Tighten the screws (F) with hex key (H).

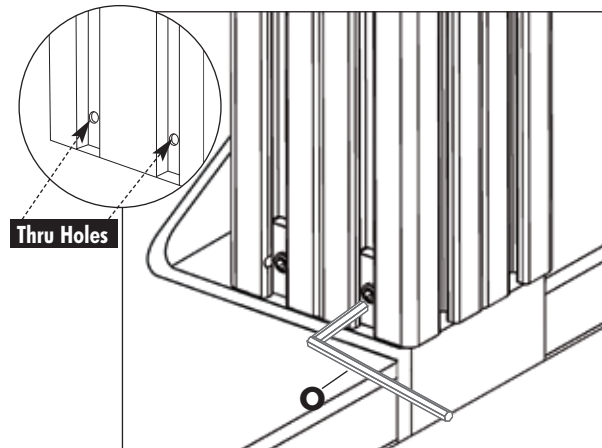


B. Assemble 8 flat nuts (G) with 8 set screws (M) and drop into the left and right sides of each post.



C. Position the set screws (M) into the thru holes and tighten through to the base plate pins. This will lock the posts to the top of your Synergy cabinet.

Tighten firmly with hex key (O).



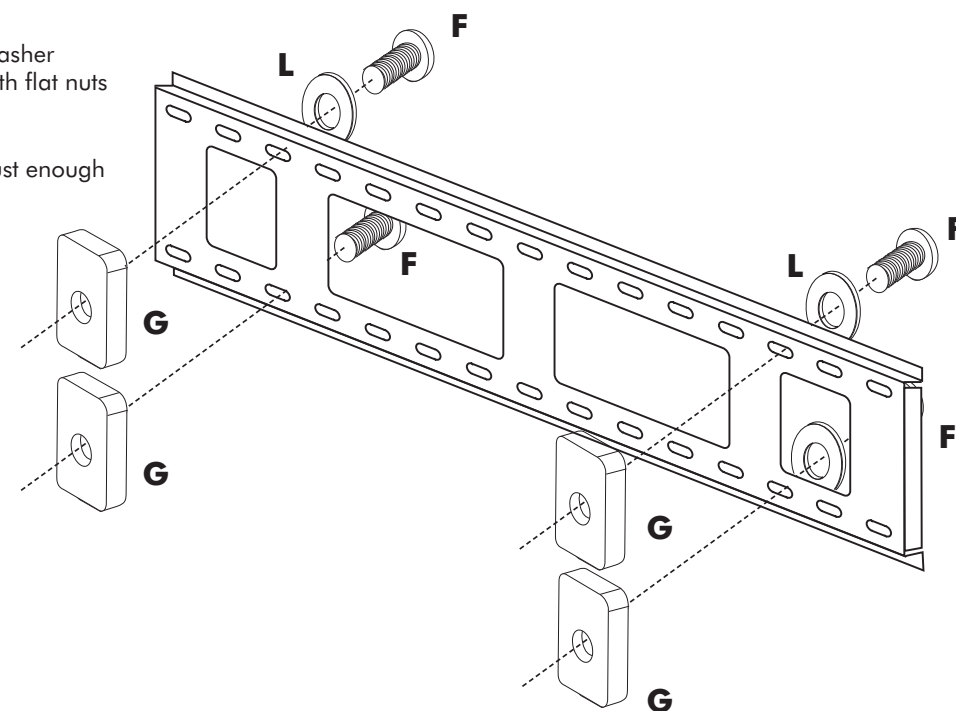
3. ATTACH TV BRACKETS TO TV

Refer to Step 2 of the Flexo 100/L Manual.

4. ASSEMBLE POST BRACKET

Assemble 1 Button Head Screw with Washer through the indicated slot (4 places) with flat nuts loosely on each.

Thread the screws loosely to the nuts just enough to ensure the nut does not fall off.

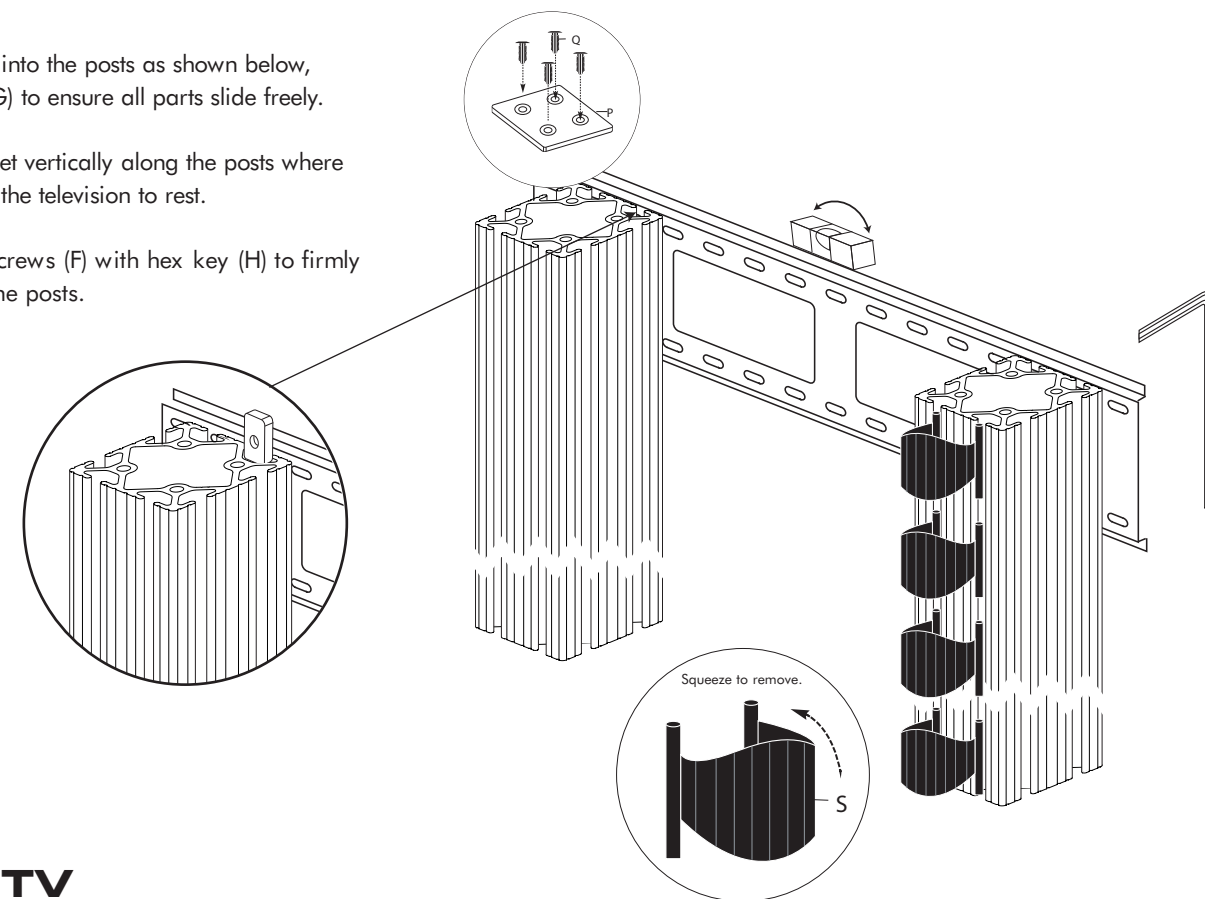


5. INSTALL POST BRACKET WIRE MANAGERS & CAPS

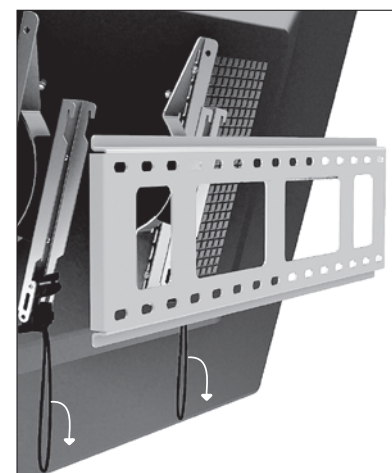
Slide the post bracket into the posts as shown below, guiding the flat nuts (G) to ensure all parts slide freely.

Position the post bracket vertically along the posts where you wish the center of the television to rest.

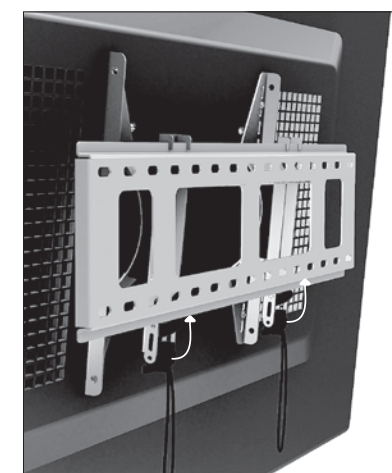
Tighten button head screws (F) with hex key (H) to firmly set the bracket onto the posts.



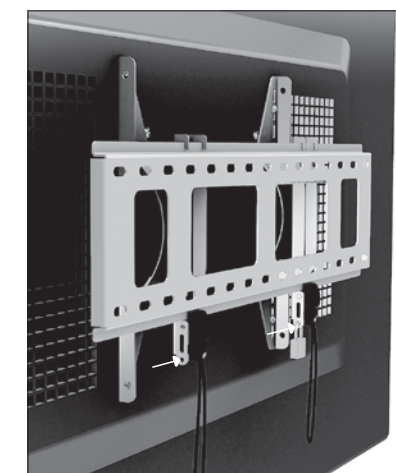
6. HANG TV



A
Pull on black cord to unlock Click Fasteners and hook TV Brackets (II) onto Wall Bracket (I) from top.



B
Center TV Brackets (II) on Wall Bracket (I) and push black Click Fasteners up into lock position.



C
Install Pad Lock (IV).

LIMITED WARRANTY- For five full years Salamander Designs Ltd. will repair or replace, at our option, any product defective in materials or craftsmanship. Salamander Designs Ltd. will not be responsible for any damage to or destruction of other equipment consequential to our equipment failure. Defective product must be given Return Authorization and is to be returned to the factory prepaid, in the original carton and packing material. Any damage incurred in a shipment not in original packaging shall be the responsibility of the owner. Warranty repairs will be returned prepaid, via UPS within the continental U.S.A. only.

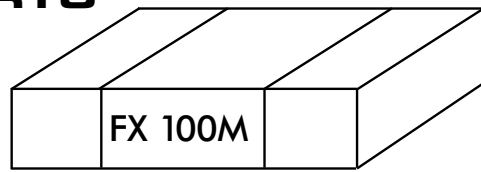


SYNERGY TWIN PANEL MOUNT SN/PM2

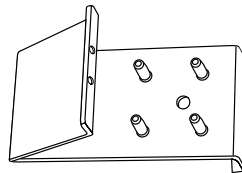
BEFORE YOU BEGIN

- **This TV mount is intended for use with Flat-Panel TV 52" or smaller and a maximum weight of 100lbs.**
- Carefully inspect the mount for shipping damage or missing parts. If any damage is apparent or you are missing parts contact Salamander Designs at 800-535-5659.
- Read ALL instructions before assembly. If you have any questions, please contact your installation contractor or Salamander Designs.
- Use with products heavier than the maximum weight or larger than the size indicated may result in instability causing possible injury.
- Mounts must be attached as specified in assembly instructions. Improper installation can result in serious personal injury.

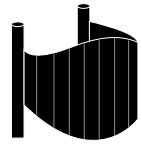
PARTS



FX 100M Mount Kit



D (1x) 301-422
Base Plate



F (5x) 301-600
Wire Manager

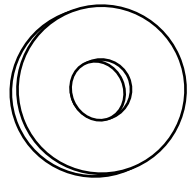


E (1x) 3" Square Extruded Post

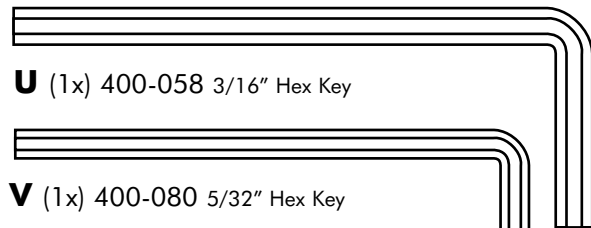
Synergy Twin Mount Hardware Bag - PHK-514



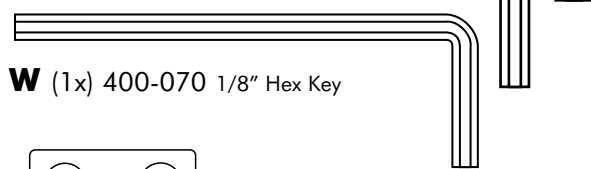
G (1x) 300-555
2" Button Head



H (1x) 300-470
Metal Washer



U (1x) 400-058 3/16" Hex Key



V (1x) 400-080 5/32" Hex Key



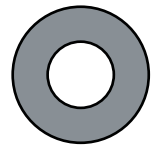
W (1x) 400-070 1/8" Hex Key



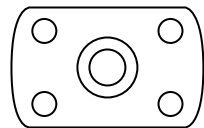
P (4x) 300-505
Cup Point Set Screw



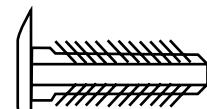
Q (6x) 300-485
Button Head Screw



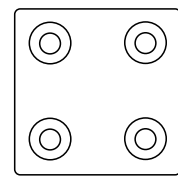
I (4x) 300-468
Metal Washer



R (10x) 300-560
Flat Nut



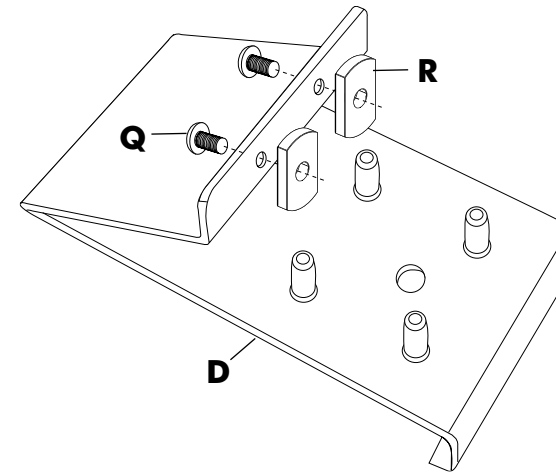
S (4x) 301-575
Plastic Fasteners



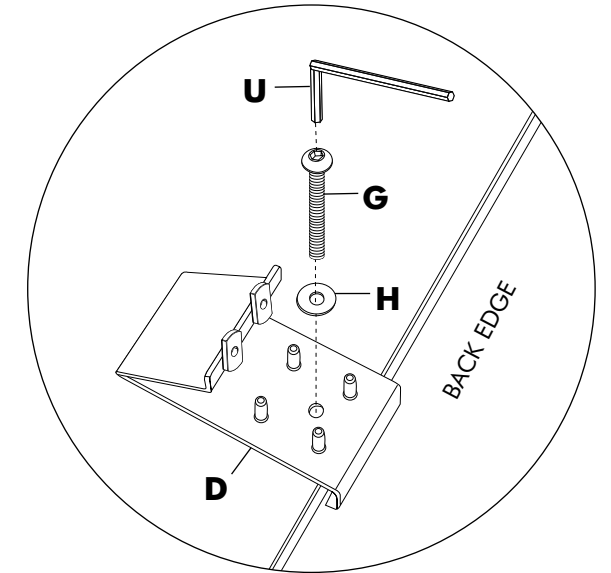
T (1x) 301-425
Post Cover

1. INSTALL BASE PLATE

A. Loosely assemble 2 flat nuts (R) with 2 button head screws (Q) through the base plate (D).



B. Secure the base plate (D) to rear center post with the 2" button head screw (G) and washer (H).
Tighten firmly with hex key (U).



NOTE:

If installing mount to an assembled twin unit, remove the rear center connector bolt. Replace with base plate (D).

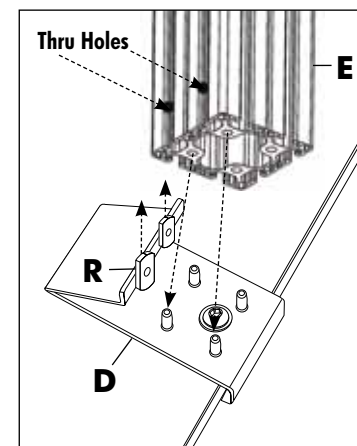
2. INSTALL POST

A. Align thru holes in post (E) over the pins in the base plate.

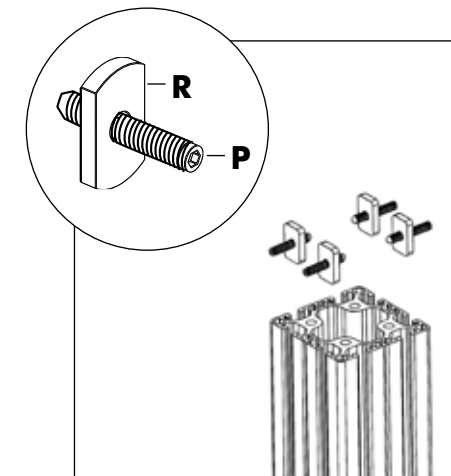
Guide the flat nuts (R) through the front of the post.

If necessary, use rubber mallet or other device to ensure the post fits snugly against the top surface.

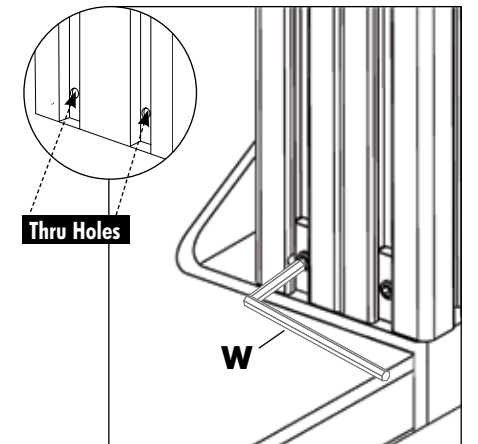
Tighten the screws (Q) with hex key (V).



B. Assemble 4 flat nuts (R) with 4 set screws (P) and drop into the left and right sides of post.



C. Position the set screws (P) into the thru holes and tighten through to the top of your Synergy cabinet.
Tighten firmly with hex key (W).



3. MOUNT VERTICAL BRACKETS TO TV

Refer to FX 100/M Manual
Align TV Brackets (II) with (4) TV mounting holes.
Attach using the supplied Mounting Screws (J).
To determine the correct thread size and length,
refer to TV manufacturer installation manual.
**NOTE: Washers (D) are necessary when using
M4 and M5 mounting screws.**

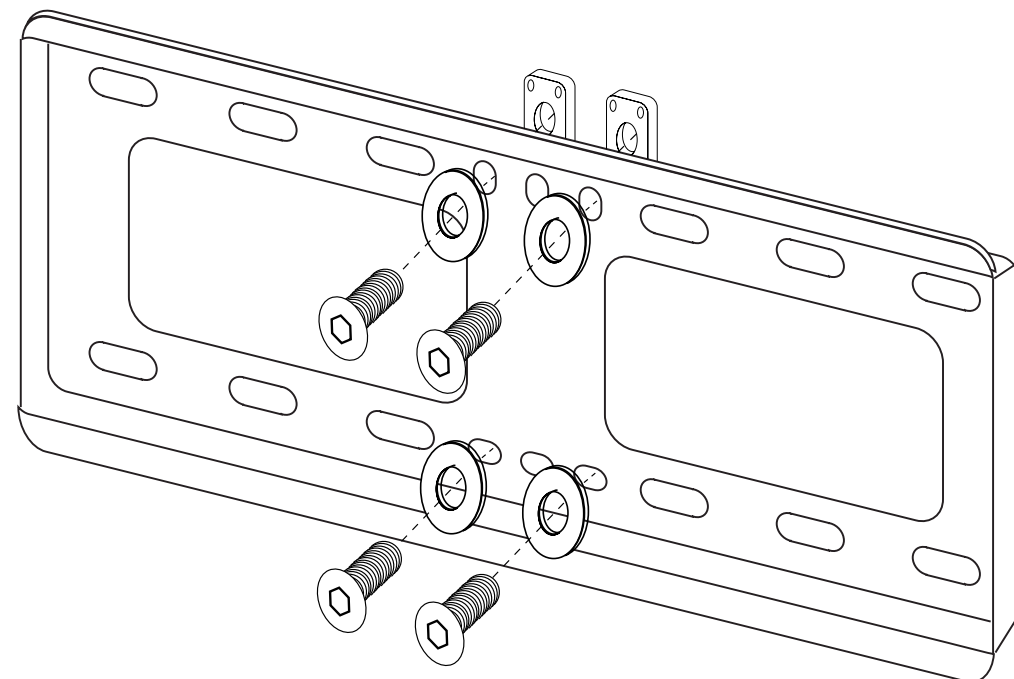


Spacers (F) can be utilized in applications where
interferences at back of TV prevent proper fit of
TV Bracket (II). **NOTE: It is always necessary to
fasten TV at four points for proper installation.**



4. ASSEMBLE POST BRACKET

Assemble 1 Button Head Screw with Washer through the indicated slot (4 places)
with flat nuts loosely on each. Thread the screws loosely to the nuts just enough to
ensure the nut does not fall off.



5. ASSEMBLE POST BRACKET TO POST

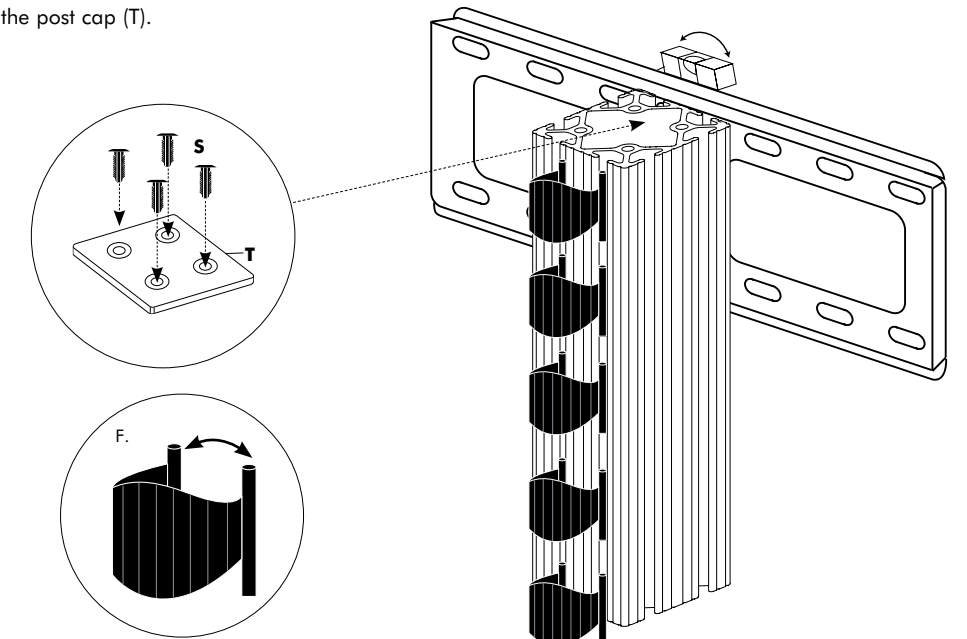
Slide the post bracket into the posts as shown below, guiding the flat nuts (R) to ensure all parts slide freely.

Position the post bracket vertically along the posts where you wish the center of the television to rest.

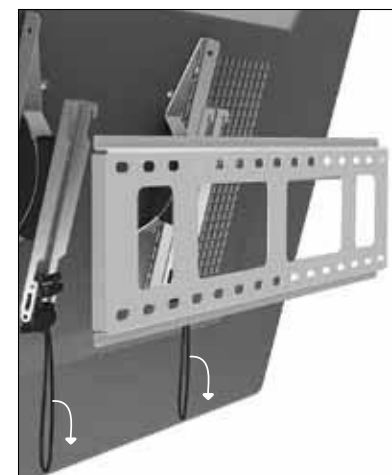
Using a level for alignment, tighten button head screws (Q) with hex key (V) to firmly set the bracket onto the posts.

6. POST CAP & WIRE MANAGERS

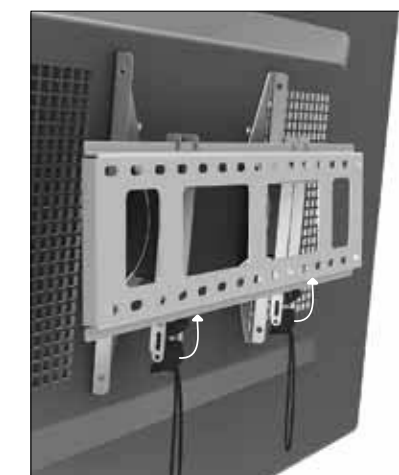
Using the 4 plastic fasteners (S) attach the post cap (T).



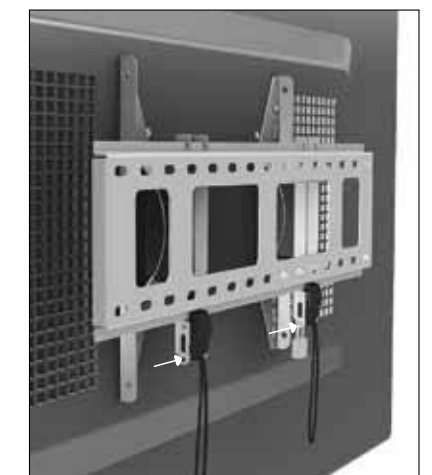
7. HANG TV



A
Pull on black cord to unlock Click
Fasteners and hook TV Brackets (II)
onto Wall Bracket (I) from top.



B
Center TV Brackets (II) on Wall
Bracket (I) and push black Click
Fasteners up into lock position.



C
Install Pad Lock (IV).

LIMITED WARRANTY- For five full years Salamander Designs Ltd. will repair or replace, at our option, any product defective in materials or craftsmanship. Salamander Designs Ltd. will not be responsible for any damage to or destruction of other equipment consequential to our equipment failure. Defective product must be given Return Authorization and is to be returned to the factory prepaid, in the original carton and packing material. Any damage incurred in a shipment not in original packaging shall be the responsibility of the owner. Warranty repairs will be returned prepaid, via UPS within the continental U.S.A. only.



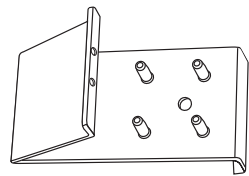
SYNERGY QUAD PANEL MOUNT SQ/PM2

BEFORE YOU BEGIN

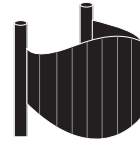
- This TV mount is intended for use with Flat-Panel TV 65" or smaller and a maximum weight capacity of 175lbs.
- Use with products heavier than the maximum weight or larger than the size indicated may result in instability causing possible injury.
- Carefully inspect the mount for shipping damage or missing parts. If any damage is apparent or you are missing parts contact Salamander Designs at 800-535-5659.
- Read ALL instructions before assembly. If you have any questions, please contact your installation contractor or Salamander Designs.
- Mounts must be attached as specified in assembly instructions. Improper installation can result in serious personal injury.

PARTS

- 2 Extruded Posts
- Drill Bit
- FX200 Mount Kit



R (2x) 301-422 Base Plate

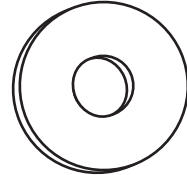


S (5x) 301-600 Wire Manager

Synergy Quad Mount Hardware Bag - PHK-523



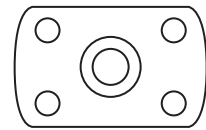
K (2x) 300-555
2" Button Head



L (4x) 300-470
Metal Washer



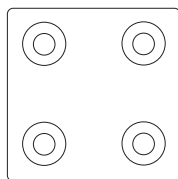
M (8x) 300-505
Cup Point Set Screw



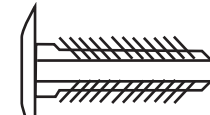
G (12x) 300-560
Flat Nut



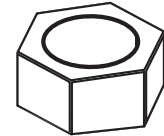
F (4x) 300-485
Button Head Screw



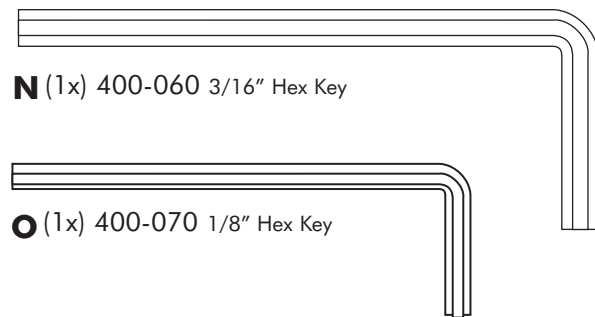
P (2x) 301-425
Post Cover



Q (8x) 301-575
Plastic Fasteners



V (4x) 300-460

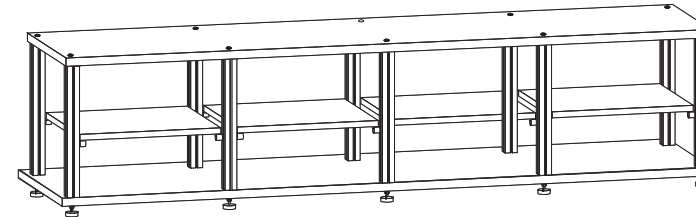


N (1x) 400-060 3/16" Hex Key

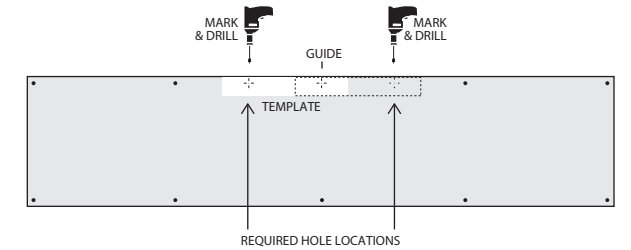
O (1x) 400-070 1/8" Hex Key

1. DRILLING HOLES

Use the center rear bolt as your template guide.

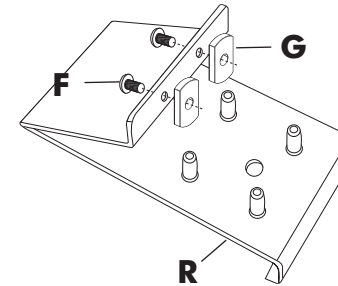


2X - Along the rear edge of the cabinet, use template on the edge of this page as a guide to drilling the hole. Line up one hole on template with the center bolt and use the other as a guide to mark where to drill your hole.

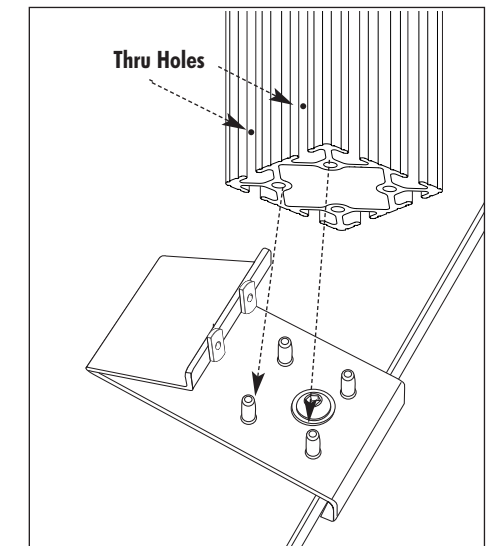
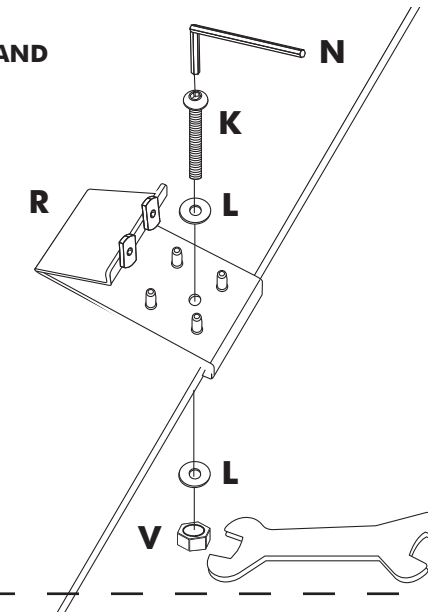
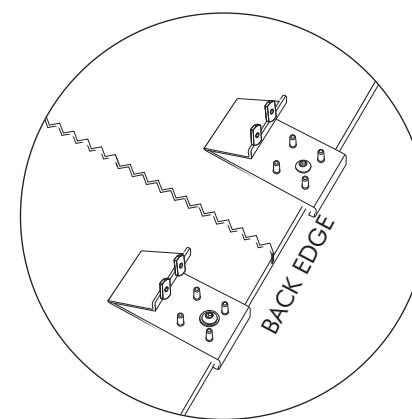


2. INSTALL BASE PLATES

A. Loosely assemble 2 flat nuts (G) with 2 button head screws (F) through each base plate (R).



B. Attach Both Base Plates as Shown
TIGHTEN FIRMLY WITH HEX KEY AND



3. INSTALL POSTS

A. Align thru holes in posts over the pins in the base plates.

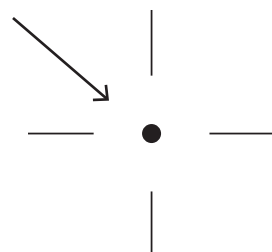
Guide the flat nuts (G) through the front of the posts.

If necessary, use rubber mallet or other device to ensure the posts fits snugly against the top surface.

Tighten the screws (F) with hex key (H).

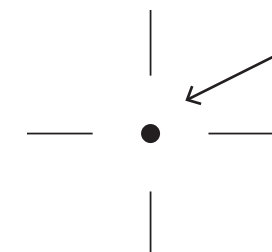
↑ FOLD AND ALIGN THIS BEND WITH THE REAR OF THE CABINET. ↑

POKE THROUGH USING A PENCIL

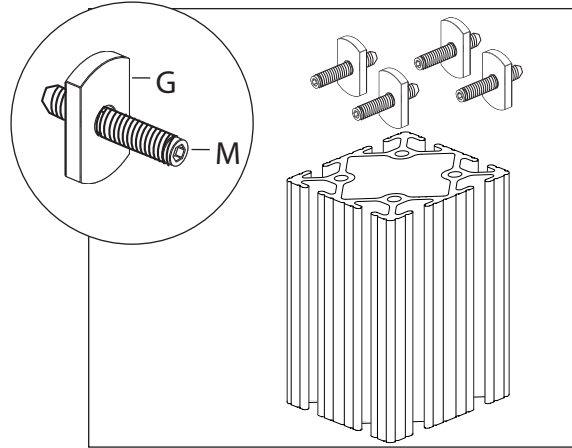


TEMPLATE

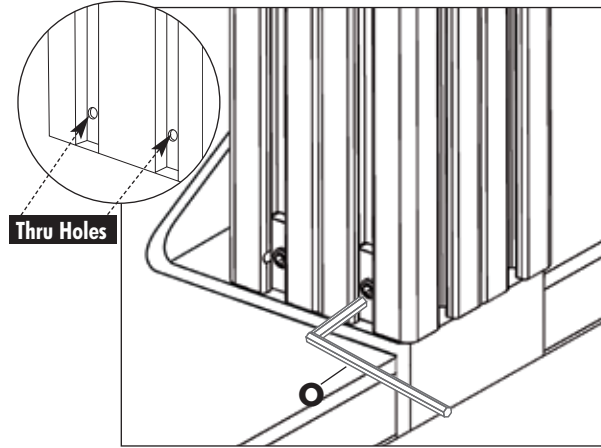
POKE THROUGH USING A PENCIL



B. Assemble 8 flat nuts (G) with 8 set screws (M) and drop into the left and right sides of each post.



C. Position the set screws (M) into the thru holes and tighten through to the base plate pins. This will lock the posts to the top of your Synergy cabinet.
Tighten firmly with hex key (O).



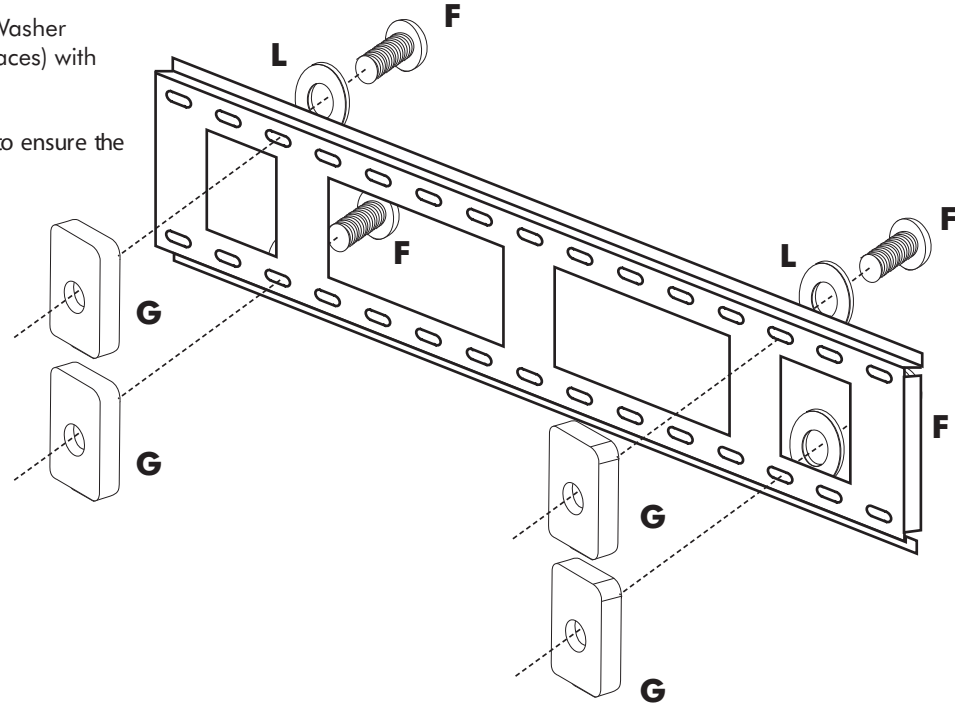
4. ASSEMBLE TV BRACKETS

Refer to Step 2 in the FX200 Manual

5. ASSEMBLE POST BRACKETS

Assemble 1 Button Head Screw with Washer through the the appropriate slot (4 places) with flat nuts loosely on each.

Thread the screws to the nuts enough to ensure the nut does not fall off.

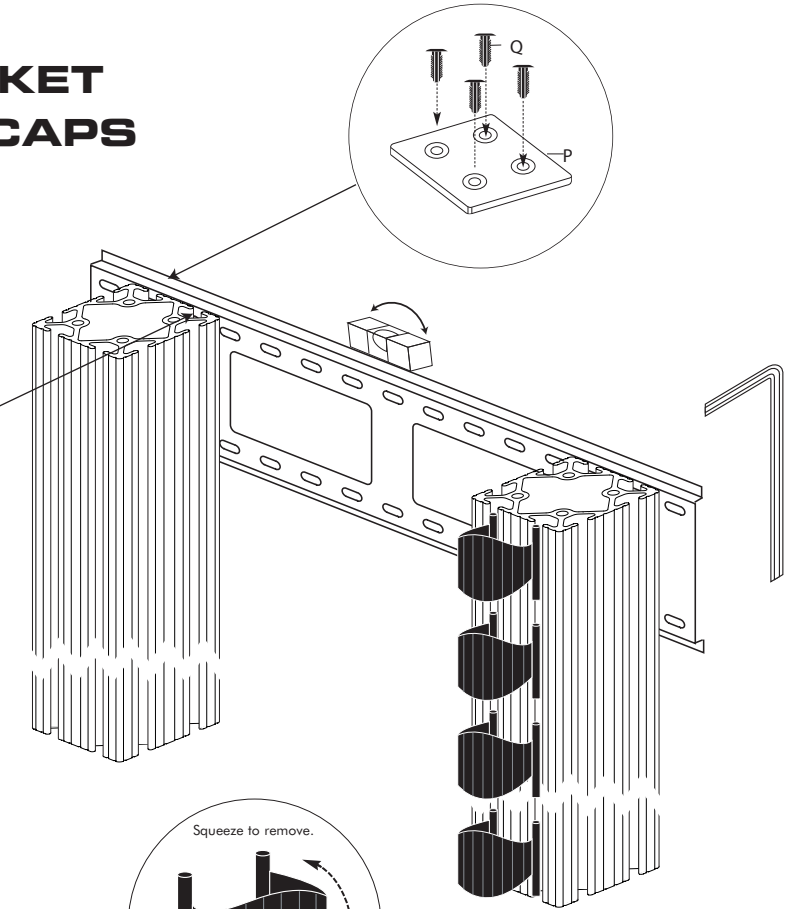
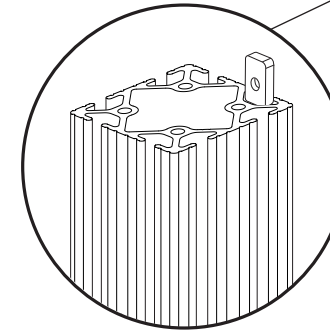


6. INSTALL POST BRACKET WIRE MANAGERS & CAPS

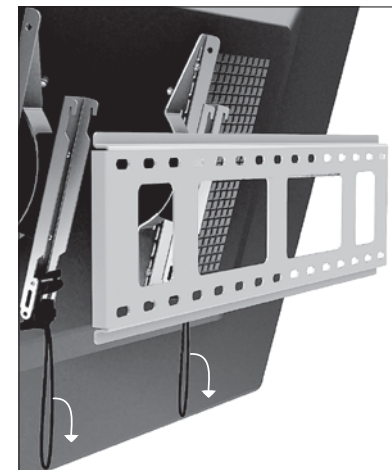
Slide the post bracket into the posts as shown below, guiding the flat nuts (G) to ensure all parts slide freely.

Position the post bracket vertically along the posts where you wish the center of the television to rest.

Tighten button head screws (F) with hex key (H) to firmly set the bracket onto the posts.



7. HANG TV



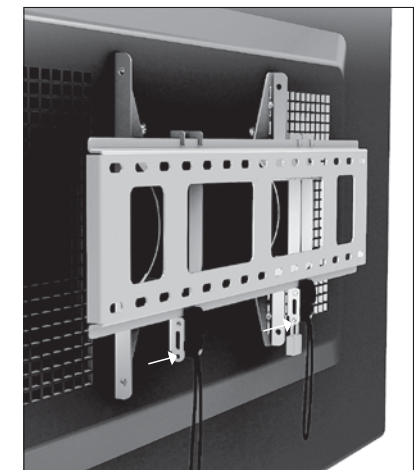
A

Pull on black cord to unlock Click Fasteners and hook TV Brackets (II) onto Wall Bracket (I) from top.



B

Center TV Brackets (II) on Wall Bracket (I) and push black Click Fasteners up into lock position.



C

Install Pad Lock (IV).

LIMITED WARRANTY- For five full years Salamander Designs Ltd. will repair or replace, at our option, any product defective in materials or craftsmanship. Salamander Designs Ltd. will not be responsible for any damage to or destruction of other equipment consequential to our equipment failure. Defective product must be given Return Authorization and is to be returned to the factory prepaid, in the original carton and packing material. Any damage incurred in a shipment not in original packaging shall be the responsibility of the owner. Warranty repairs will be returned prepaid, via UPS within the continental U.S.A. only.