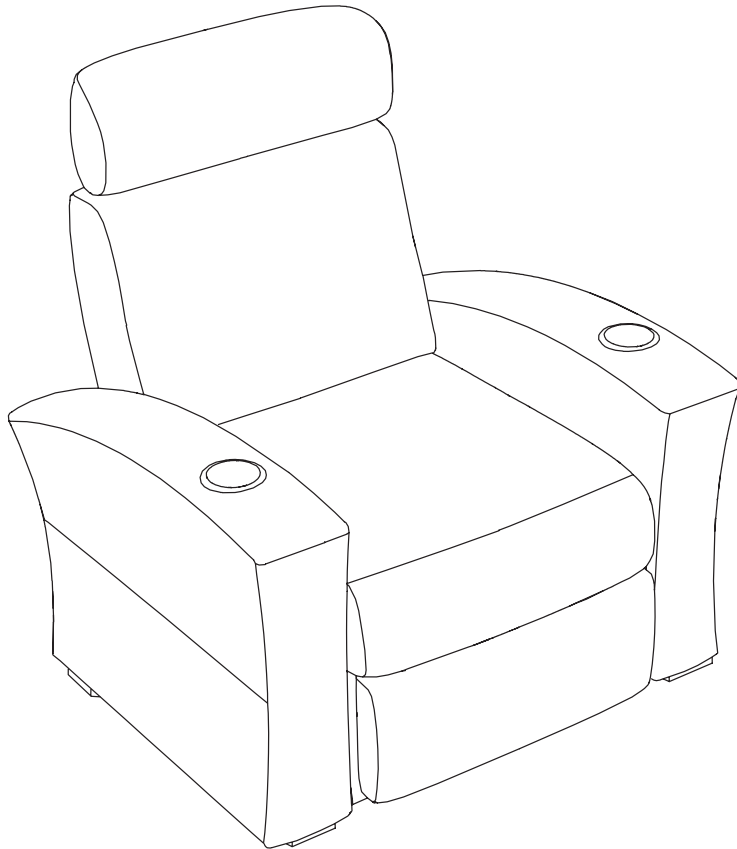




MATTEO

Assembly Instructions

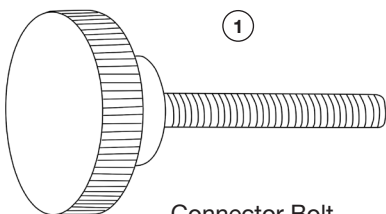


Thank you for your purchase.

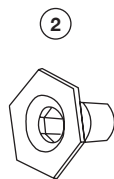
Unpack all content and check to ensure that all of the parts are in proper condition. To help protect the environment, use the appropriate recycling and discarding methods for the packaging items.

Read ALL assembly instructions before beginning. If you have any questions, please contact your installator or Salamander Designs at 800-535-5659.

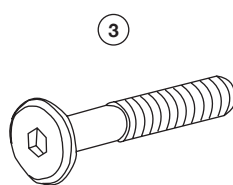
PARTS - Supplied with Armless, Left and Right-End Chairs



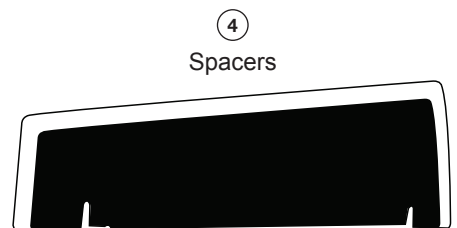
①
Connector Bolt
1/4 - 20 x 2"
Part# 014978



②
1/4 - 20
Hex Nut
Part# 005489



③
5/16 - 18 x 50mm
Connector Bolt
Part# 005488

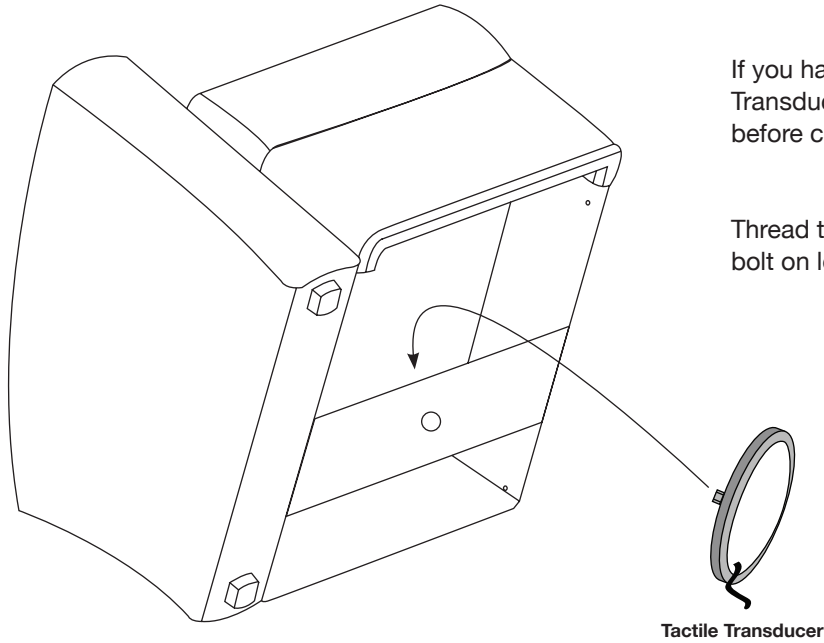


④
Spacers



⑤
Hex Wrench
Part# 005490

1 Tactile Transducer - Optional

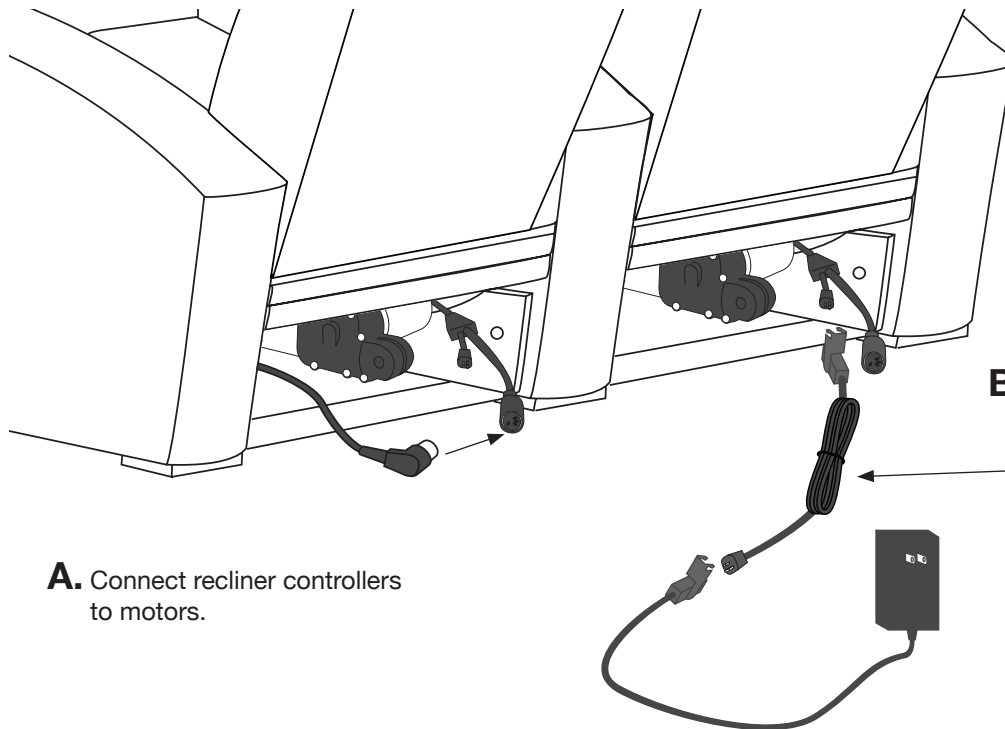


If you have purchased a Tactile Sound Transducer for your chair(s), install before connecting seats.

Thread transducer onto the center bolt on lower frame cross bar.

Tactile Transducer

2 Powered Seating

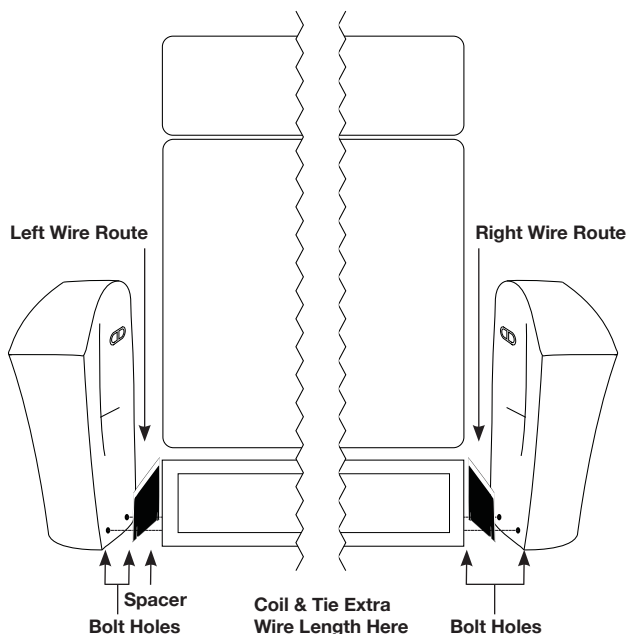


A. Connect recliner controllers to motors.

B. Connect power supplies to motors.

2-pin extension cord
Coil & Tie Extra Wire Length.
Be careful to route wires away from mechanism.

3 Connecting Seats to Arms (End Chair to Straight or Wedge Connector)

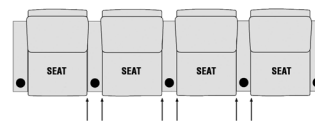


A. Align seats, spacers and connectors prior to assembly. Attention to switch location is necessary.

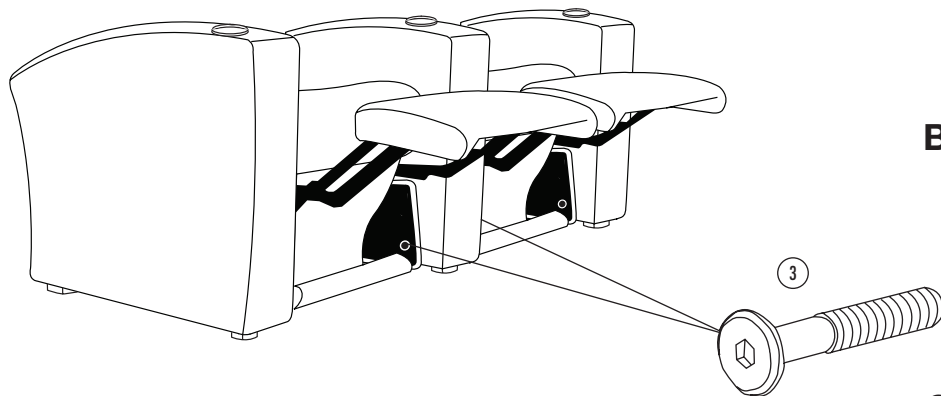
Align front and back bolt holes.

Spacer info:

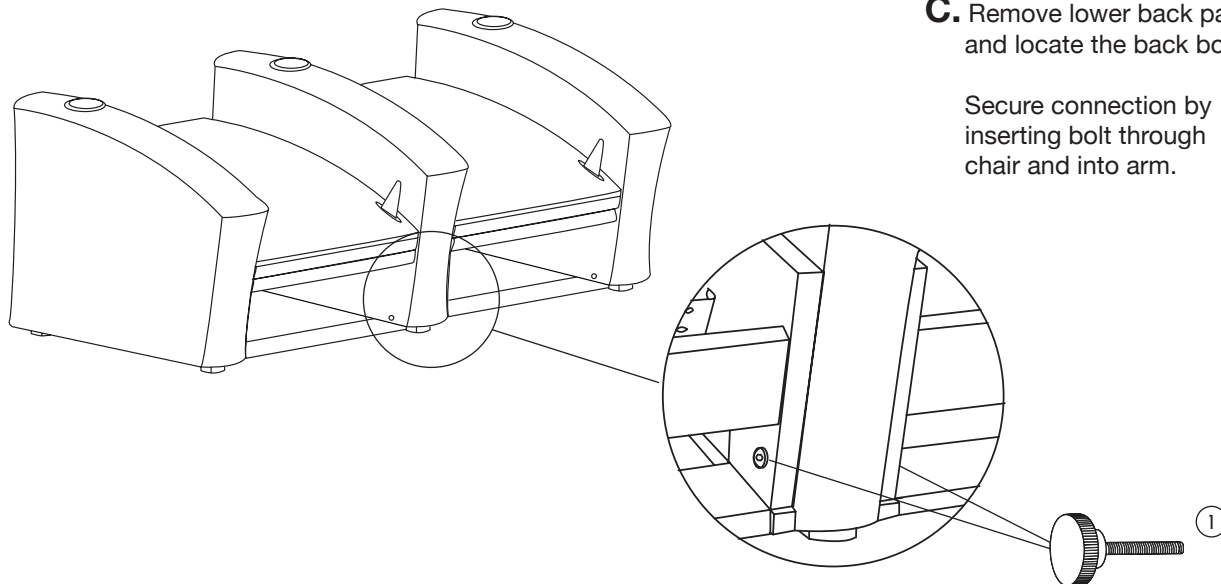
- Spacers are needed when connecting seats to arms. Each side of a seat that does not have an arm needs a spacer.
- Spacers match the shape of the chair bases and are attached along the side of the base.



Example: In a configuration of 4 recliners 6 spacers are needed.



B. Extend foot rest to access front bolt holes and secure connection by inserting bolts through chair and into arm.

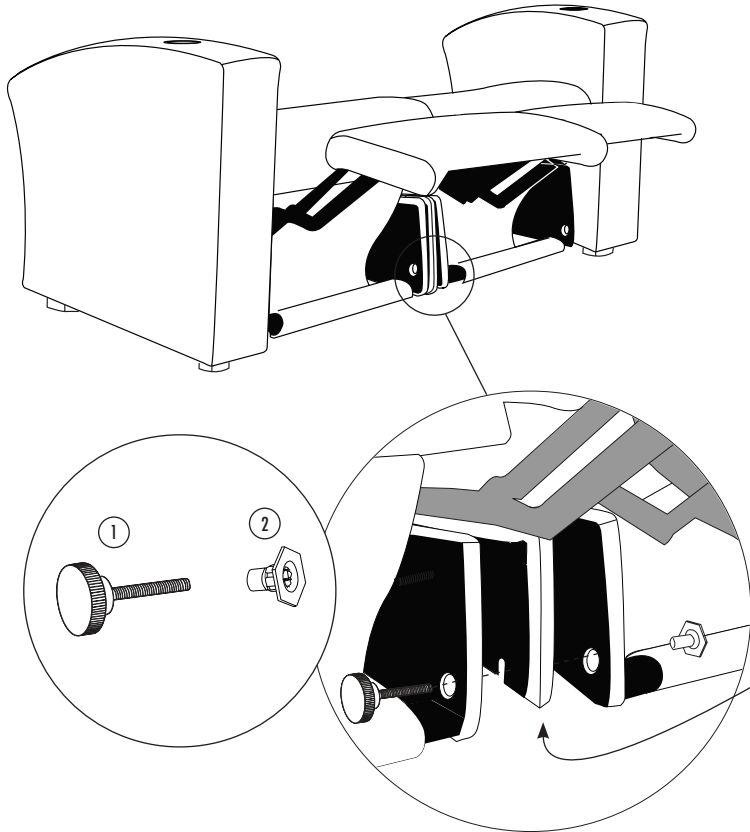


C. Remove lower back panel and locate the back bolt hole.

Secure connection by inserting bolt through chair and into arm.

4 Connecting Seat to Seat

- A.** Extend foot rest to access front bolt holes.

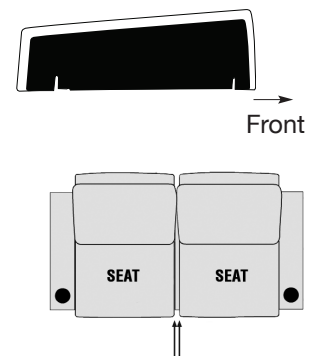


Align front and back bolt holes, with supplied spacers in between seat bases where no arm is used.

Secure connection by inserting bolt through chair bases with spacer in between.

Fasten with nut.

TIP: Start bolts through chair and insert slots in spacer over bolts.

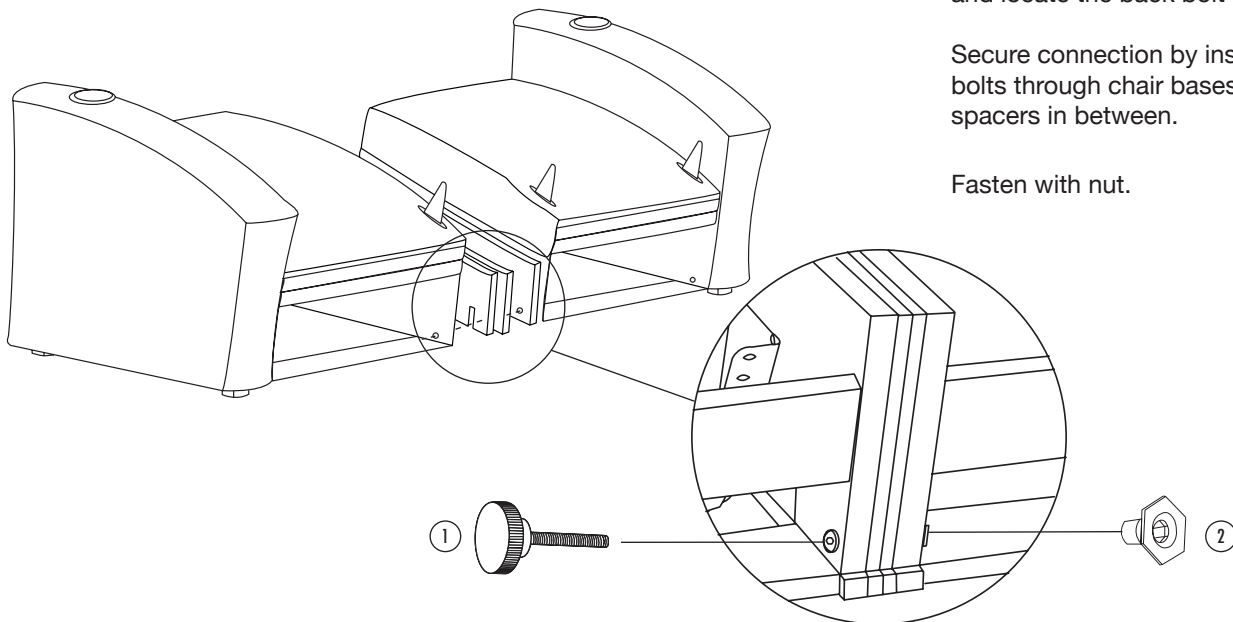


In this configuration 2 spacers are needed between the seats.

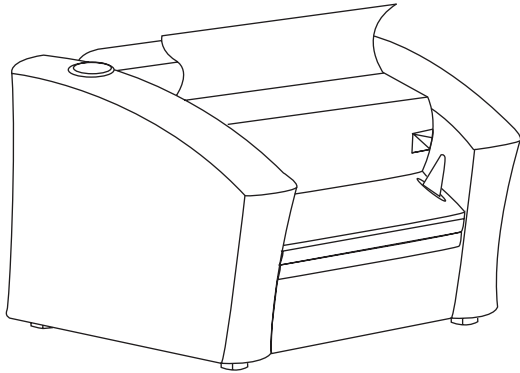
- B.** Remove lower back panel and locate the back bolt holes.

Secure connection by inserting bolts through chair bases with spacers in between.

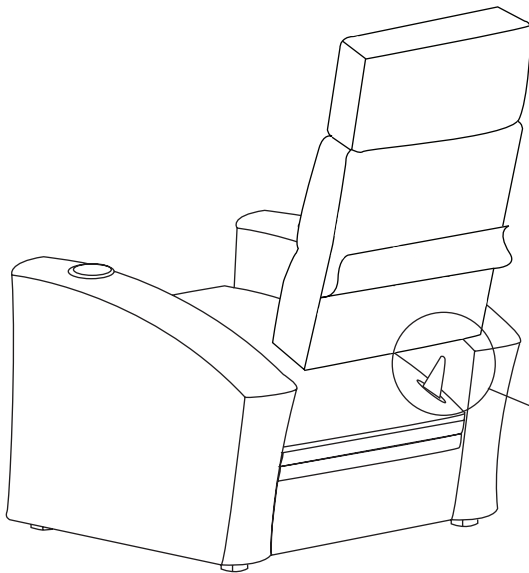
Fasten with nut.



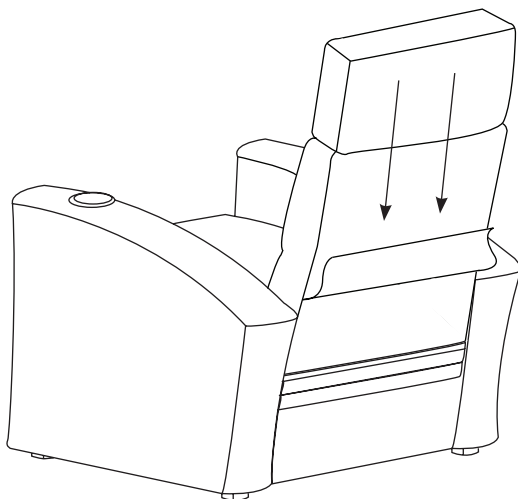
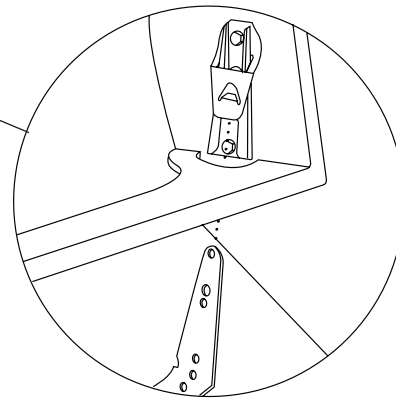
5 Attaching Back Rests



A. Lay backrest face down on seat and open lower access flap to expose mechanism receivers.



B. While holding access flap open, align mechanism backrest tongues protruding from seat with seat back receivers. Be careful to insert both sides simultaneously.



C. Press down evenly with both hands on backrest to be sure the clips in the backrest are engaged and fasten the backrest flap with the hook and loop fastener to complete the installation.

Note: Backrests may be removed by releasing the clips on the receiver brackets in the backrest.

Warranty:

For Salamander Seating Limited Warranty details:

<https://www.salamanderdesigns.com/customer-service/warranty/>

Leather care tips:

Leather is a natural product and variations in color can occur, along with minor flaws such as scars and other markings that give each hide its own unique character. The subtle markings on leather distinguish genuine leather from manmade materials.

We recommend that you look after your chair by not exposing it to direct sunlight or placing it too close to a heat source, such as a radiator, which will cause the leather to dry. To remove any dust and dirt we recommend vacuuming with a soft brush. To remove simple stains (water soluble), please use a soft cloth or sponge with a little water. For more professional care and to prolong the life of the leather, we recommend the products from Leather Master.

Fabric care tips:

Remove ballpoint pen, red wine, mustard, cola, tea, coffee, orange, and grape juice using mild liquid soap and lukewarm water. Rub soap foam in circular motion with sponge or soft brush. Pat area dry after cleaning. When completely dry, brush in the direction of the nap.

Powered Seating:

Power Mechanism Electrical Specifications: 110 V AC, 2.0 amps nominal load, 5.0 amps max load, thermally protected.

We recommend a small size power strip to connect multiple power chairs. It is also possible to utilize multiple Y-type splitters to connect chairs in series. Please note the specifications of the power components and be cautious not to overload the electrical circuit.



**SALAMANDER
D E S I G N S**

Furniture Shaped By Your Needs ®

phone: 800-535-5659

www.SalamanderDesigns.com