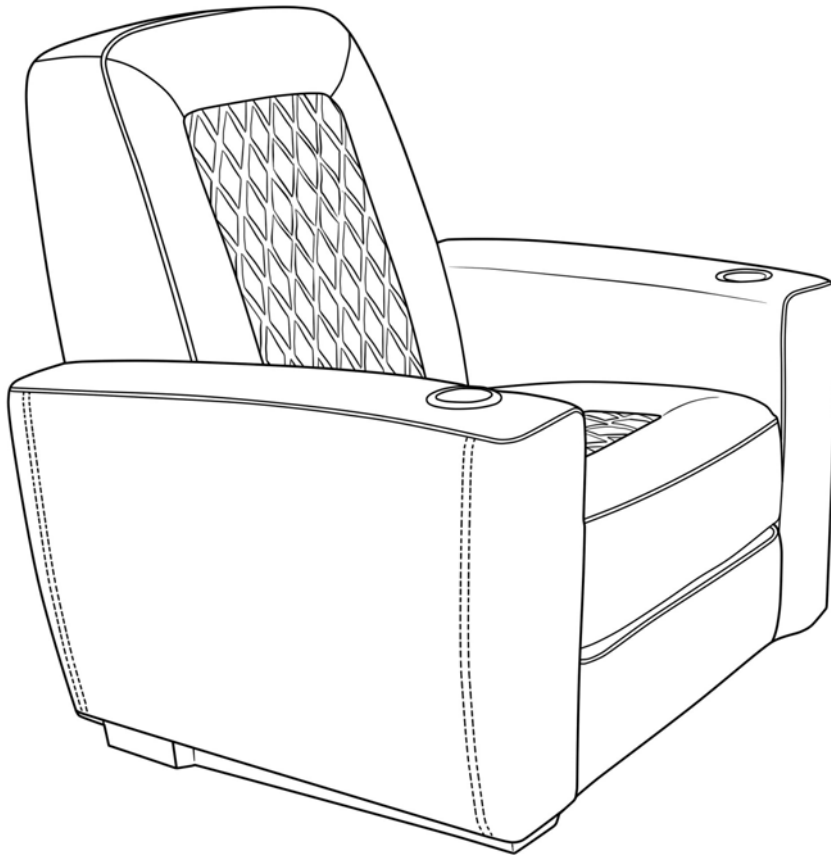




LUCA

ASSEMBLY INSTRUCTIONS



Thank you for your purchase.

Unpack all content and check to ensure that all of the parts are in proper condition. To help protect the environment, use the appropriate recycling and discarding methods for the packaging items.

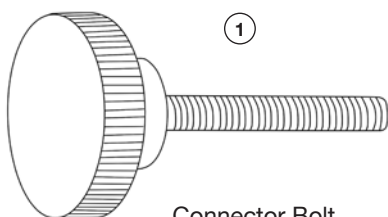
Read ALL assembly instructions before beginning. If you have any questions, please contact your installator or Salamander Designs at 800-535-5659.

Tool Required:

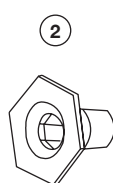
Philips Screwdriver



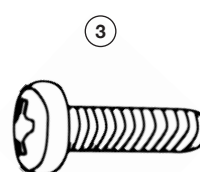
PARTS - Supplied with Armless, Left and Right-End Chairs



1
Connector Bolt
1/4 - 20 x 2"
Part# 014978



2
1/4 - 20
Hex Nut
Part# 005489



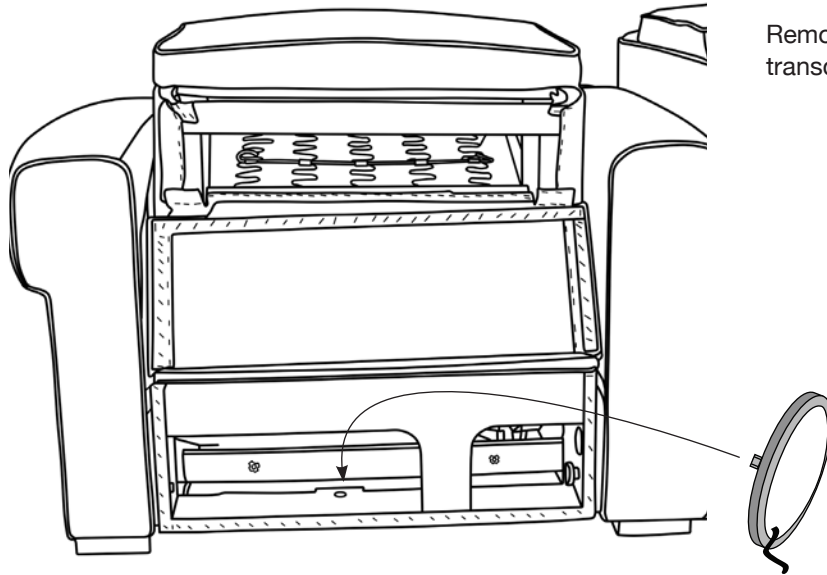
3
1/4 - 20 x 2 1/2"
Connector Bolt
Part# 015255
Pre-installed in seatback



4 Spacers

1 Tactile Transducer - Optional

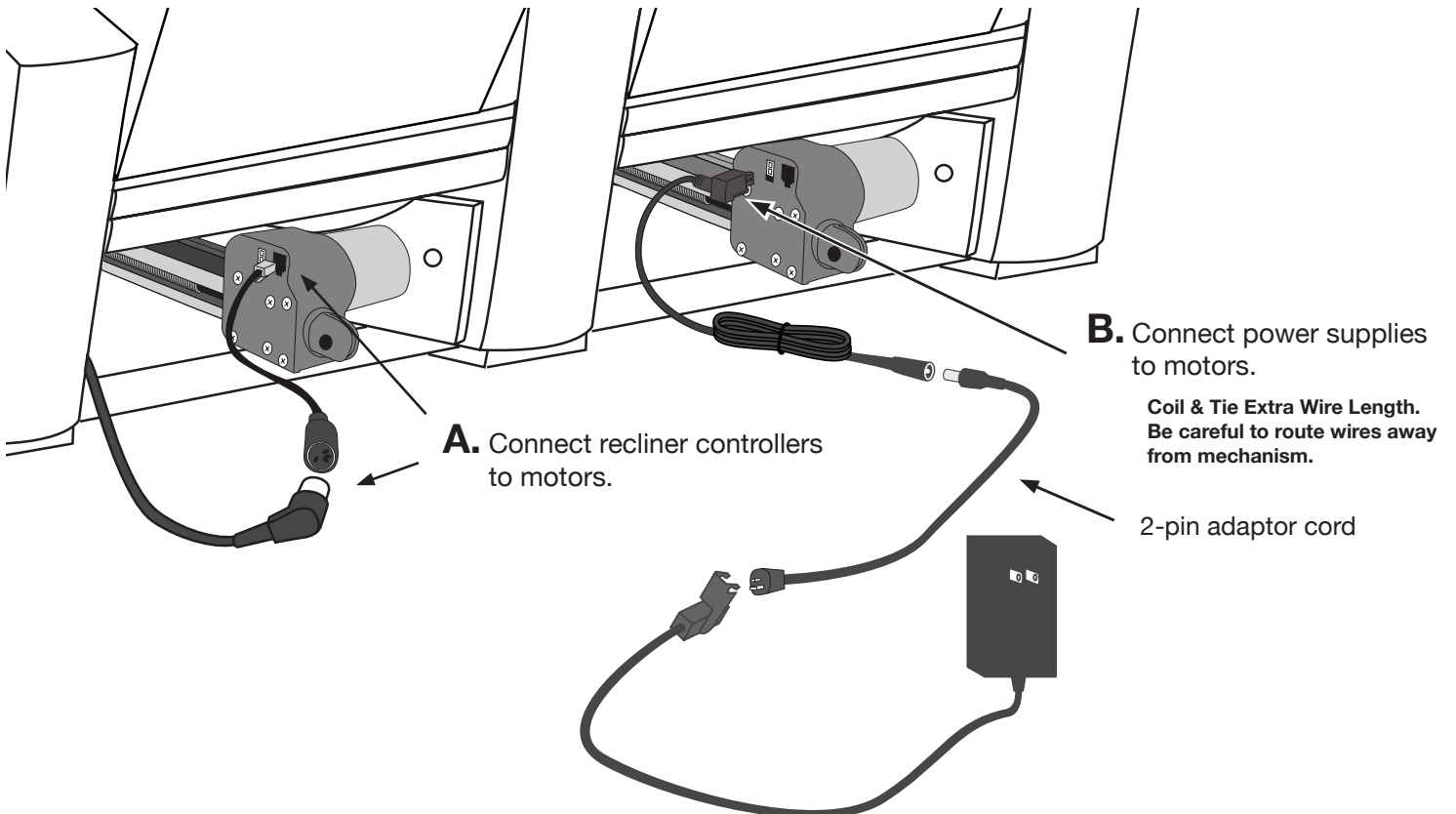
If you have purchased a Tactile Sound Transducer for your chair(s), install before connecting seats.



Remove back panel and screw transducer onto bolt on chair frame.

Tactile Transducer

2 Power Seating - Optional



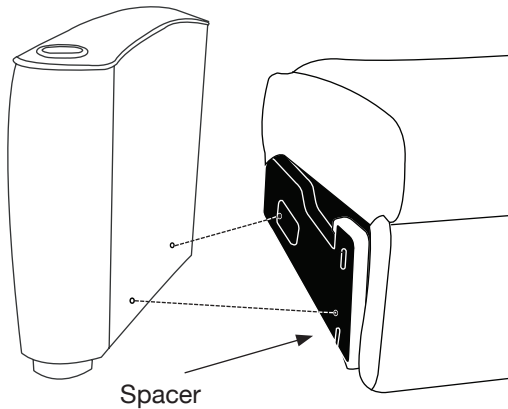
A. Connect recliner controllers to motors.

B. Connect power supplies to motors.

Coil & Tie Extra Wire Length.
Be careful to route wires away from mechanism.

2-pin adaptor cord

3 Connecting Seats to Arms (End Chair to Straight or Wedge Connector)

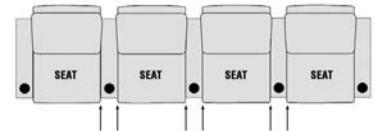


- A.** Position chairs, spacers and connectors in the location that they be installed.

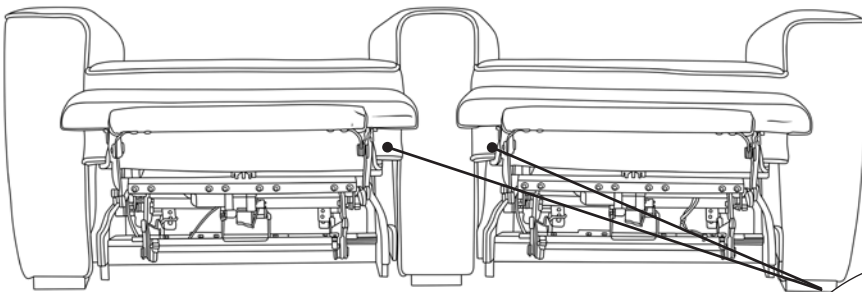
Align front and back bolt holes.

Spacer info:

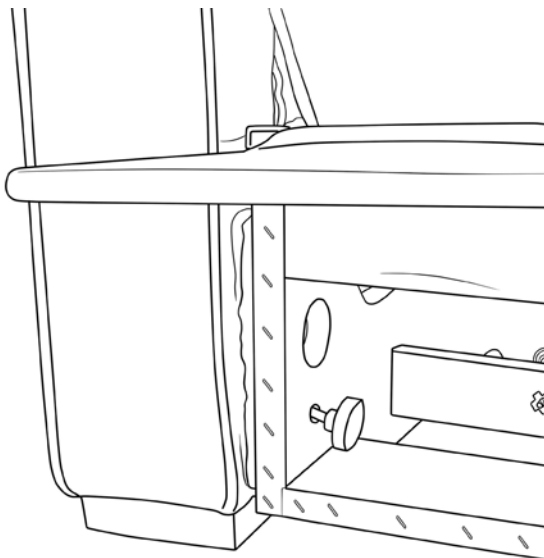
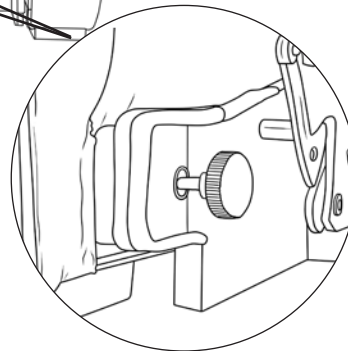
- Spacers are needed when connecting seats to arms. Each side of a seat that does not have an arm needs a spacer.
- Spacers match the shape of the chair bases and are attached along the side of the base.



Example: In a configuration of 4 recliners 6 spacers are needed.



- B.** Extend foot rest to access front bolt holes and secure connection by inserting bolts through chair and into arm.

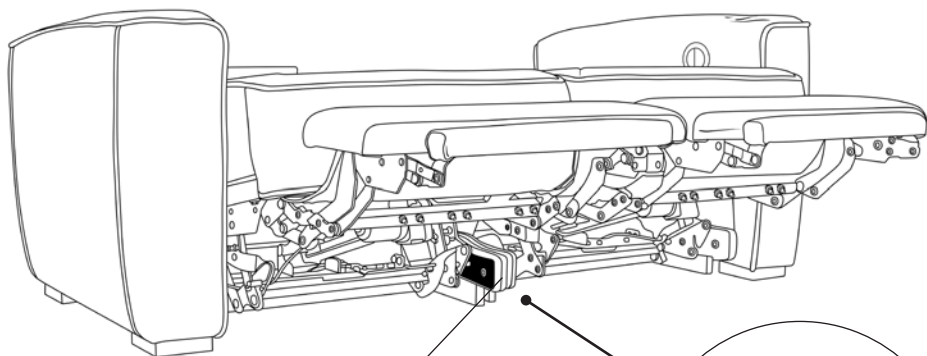


- C.** Raise lower back panels and locate the back bolt holes.

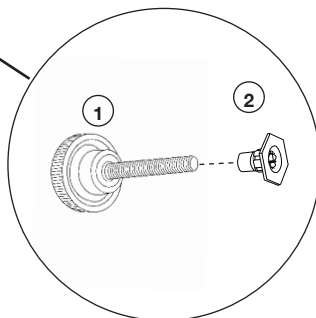
Secure connection by inserting bolt through chair and into arm.

4

Connecting Seat to Seat (Without Arms Between Seats - Max of 3 Seats)



2 spacers are needed between seats.

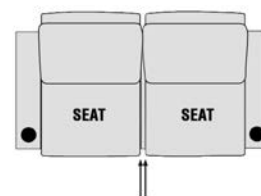


A. Extend foot rest to access front bolt holes.

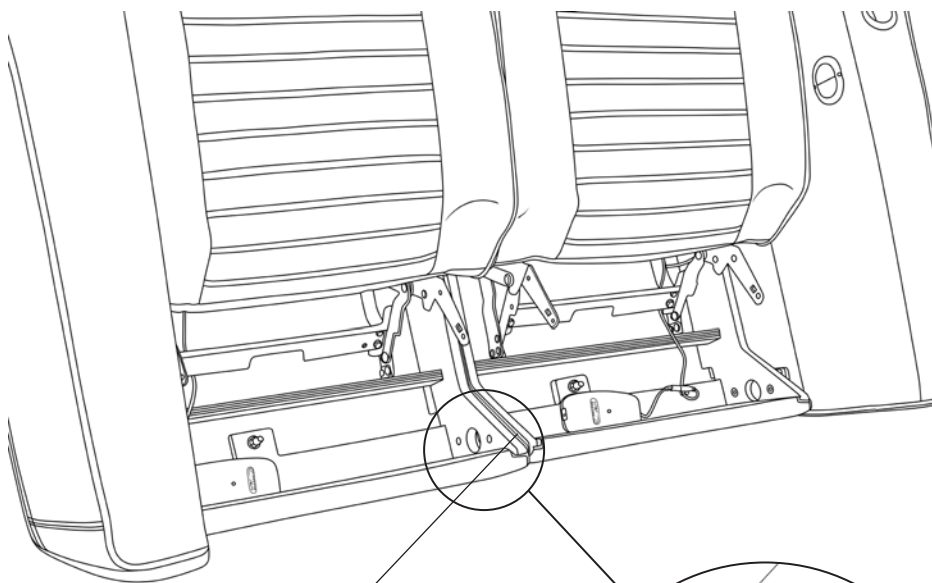
Secure connection by inserting bolt through 2 spacers and chair frames.

Align front and back bolt holes.

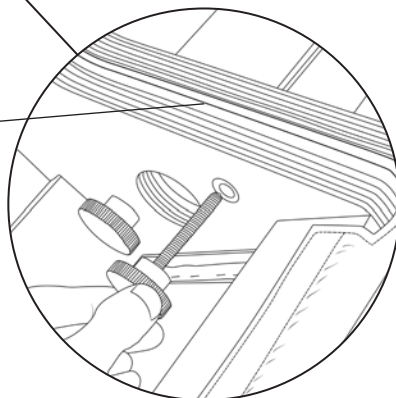
Fasten with nut.



In this configuration 2 spacers are needed between each seat.

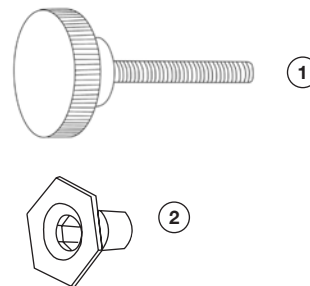


2 spacers are needed between seats.

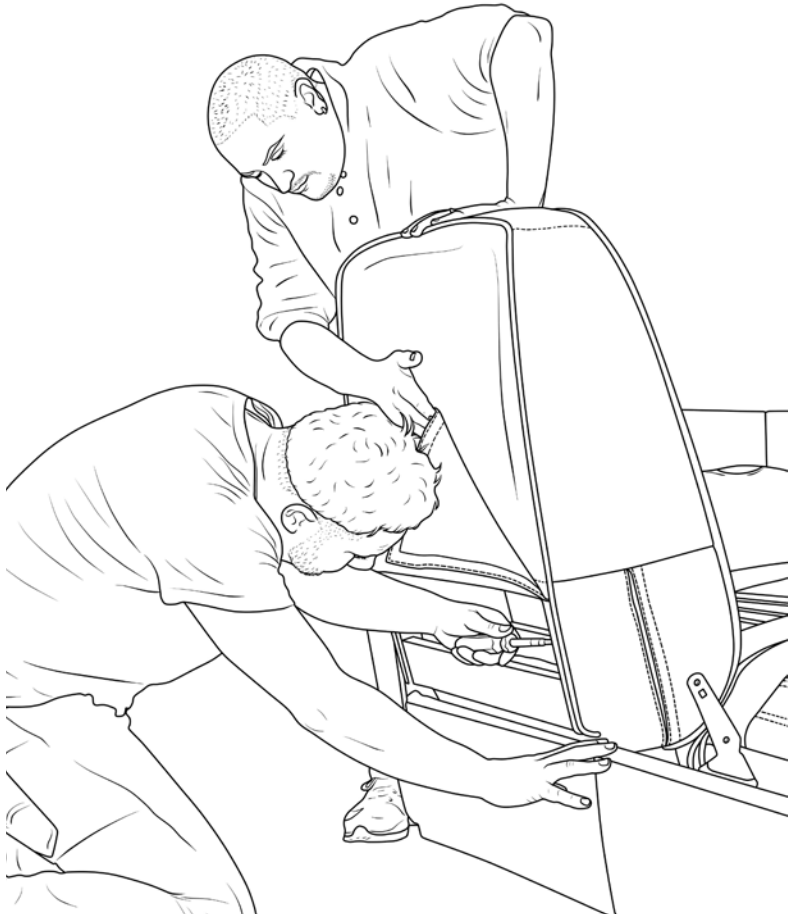


B. Secure connection by inserting bolt (1) through 2 spacers and chair frames.

Fasten with nut (2).



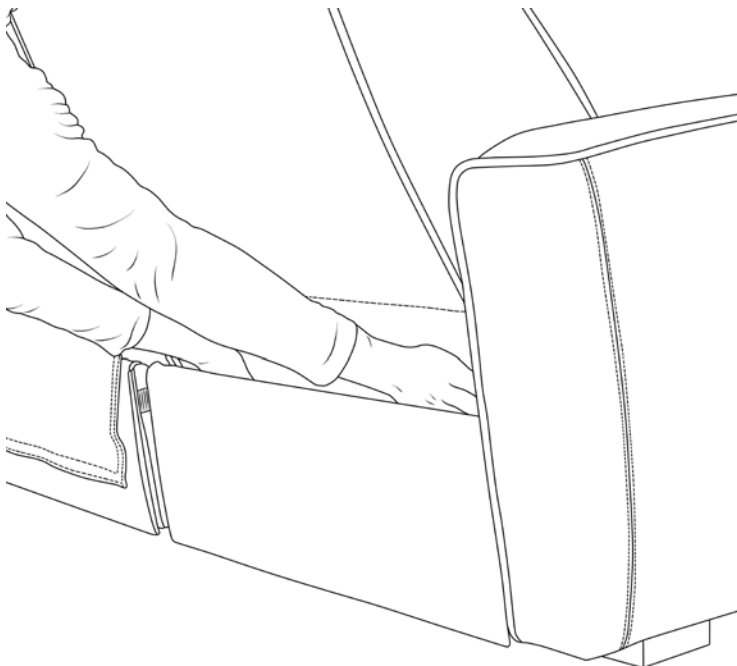
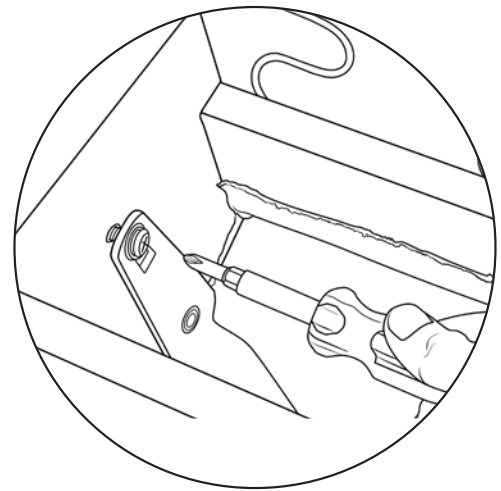
5 Attaching Back Rests



A. Return seat to upright position. Remove pre-installed phillips screws. Lower seatback over the chair mechanism.

B. Press down to align the backrest screw holes to the upper and lower holes in the chair mechanism tongues.

Install and tighten screws.



C. Recline chair and fasten seatback flap under rear edge.

Warranty:

For Salamander Seating Limited Warranty details:

<https://www.salamanderdesigns.com/customer-service/warranty/>

Leather care tips:

Leather is a natural product and variations in color can occur, along with minor flaws such as scars and other markings that give each hide its own unique character. The subtle markings on leather distinguish genuine leather from manmade materials.

We recommend that you look after your chair by not exposing it to direct sunlight or placing it too close to a heat source, such as a radiator, which will cause the leather to dry. To remove any dust and dirt we recommend vacuuming with a soft brush. To remove simple stains (water soluble), please use a soft cloth or sponge with a little water. For more professional care and to prolong the life of the leather, we recommend the products from Leather Master.

Fabric care tips:

Remove ballpoint pen, red wine, mustard, cola, tea, coffee, orange, and grape juice using mild liquid soap and lukewarm water. Rub soap foam in circular motion with sponge or soft brush. Pat area dry after cleaning. When completely dry, brush in the direction of the nap.

Powered Seating:

Power Mechanism Electrical Specifications: 110 V AC, 2.0 amps nominal load, 5.0 amps max load, thermally protected.

We recommend a small size power strip to connect multiple power chairs. It is also possible to utilize multiple Y-type splitters to connect chairs in series. Please note the specifications of the power components and be cautious not to overload the electrical circuit.



**SALAMANDER
D E S I G N S**

Furniture Shaped By Your Needs ®

phone: 800-535-5659

www.SalamanderDesigns.com