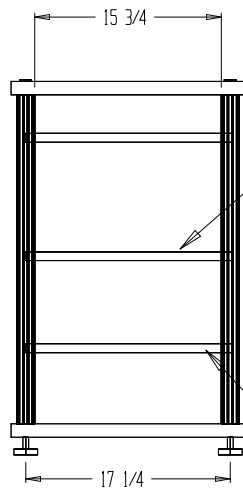
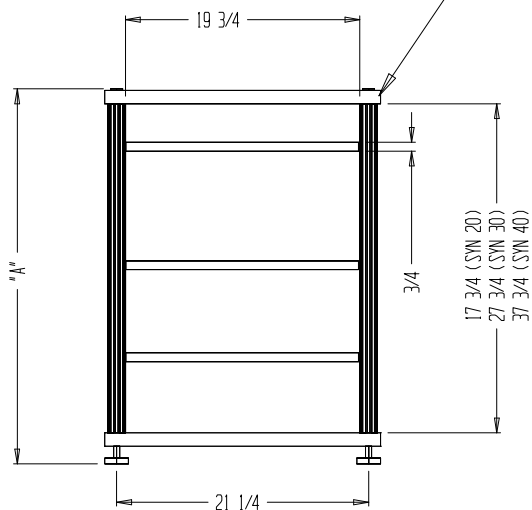


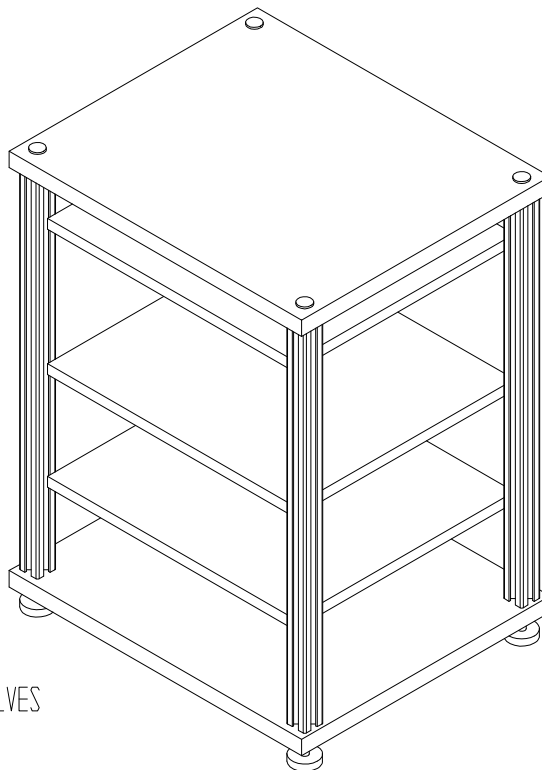
NOTES:  
 1. NUMBER OF ADJUSTABLE SHELVES  
 DEPENDS ON MODEL ORDERED:  
 SYNERGY 40 - 4 ADJUSTABLE SHELVES  
 SYNERGY 30 - 3 ADJUSTABLE SHELVES  
 SYNERGY 20 - 1 ADJUSTABLE SHELVES

MAX CAPACITY:  
 300 LBS TOP & BOTTOM



MAXIMUM CAPACITY:  
 120 LBS. PER SHELF

ADJUSTABLE SHELVES  
 SEE NOTE 1



REVISIONS			
REV	DESCRIPTION	DATE	APPROVED
00	RELEASE	12/29/98	

	"A"		
	S40	S30	S20
STANDARD ADJUSTABLE FEET	41" - 42"	31" - 32"	21" - 22"
HEAVY DUTY SATURN CASTERS	43 "	33 "	23 "
POLISHED ALUMINUM FEET	43 "	33 "	23 "

**SALAMANDER CONFIDENTIAL AND PROPRIETARY**

THIS SALAMANDER DOCUMENT CONTAINS PROPRIETARY AND CONFIDENTIAL INFORMATION OF SALAMANDER DESIGNS LTD. . IT IS LOANED ON CONDITION THAT IT AND THE INFORMATION THERIN SHALL NOT BE USED BY RECIPIENT NOR BE DISCLOSED TO OTHERS EXCEPT AS EXPRESSLY APPROVED BY SALAMANDER DESIGNS LTD. ANY DOCUMENT CONTAINING SUCH INFORMATION SHALL BE RETURNED ON REQUEST.



TOLERANCES:  
 DECIMALS:  
 XX +/- .02  
 XXX +/- .005  
 ANGLES +/- 1/2 DEG

**SALAMANDER DESIGNS LTD.**  
 HARTFORD, CT 06106

DESCRIPTION  
 OUTLINE: SYNERGY 40, 30, 20

DRAWN BY	DATE	SIZE B	LEVEL	DWG NO. N/A	REV 00
APPROVED	DATE	SCALE N/A	FILE	SHEET 1 OF 1	