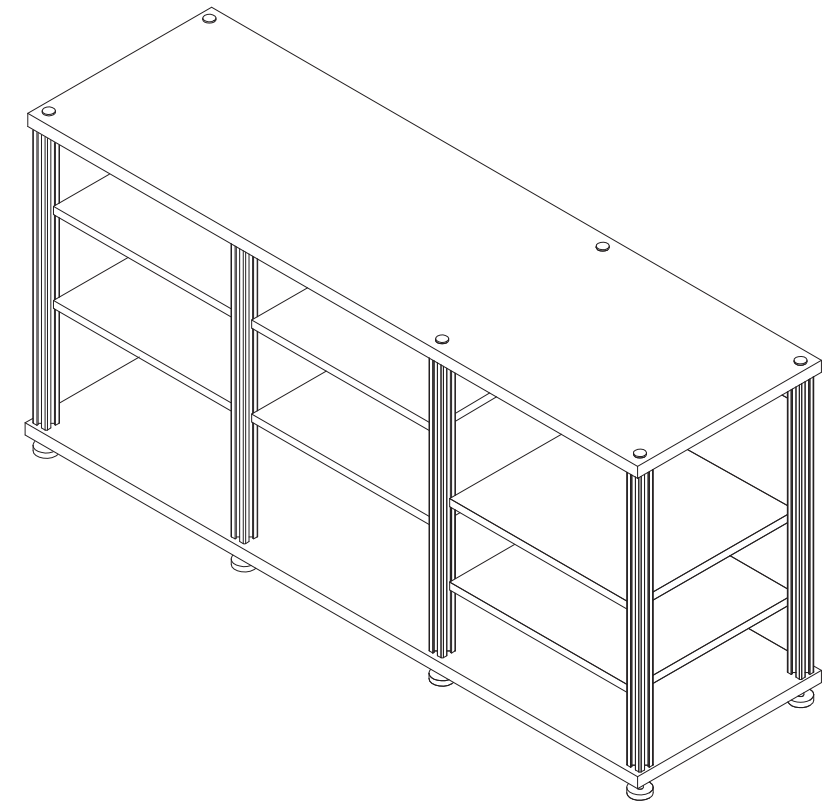


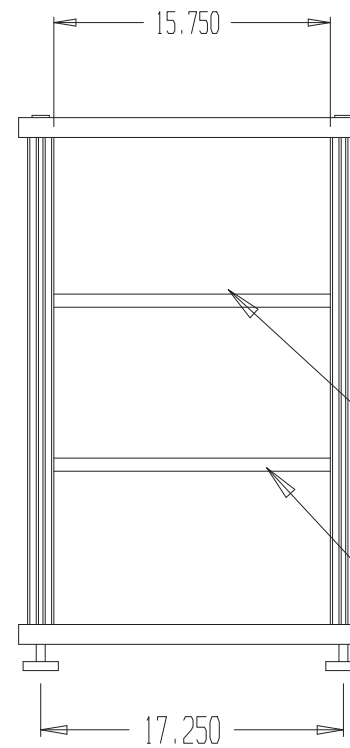
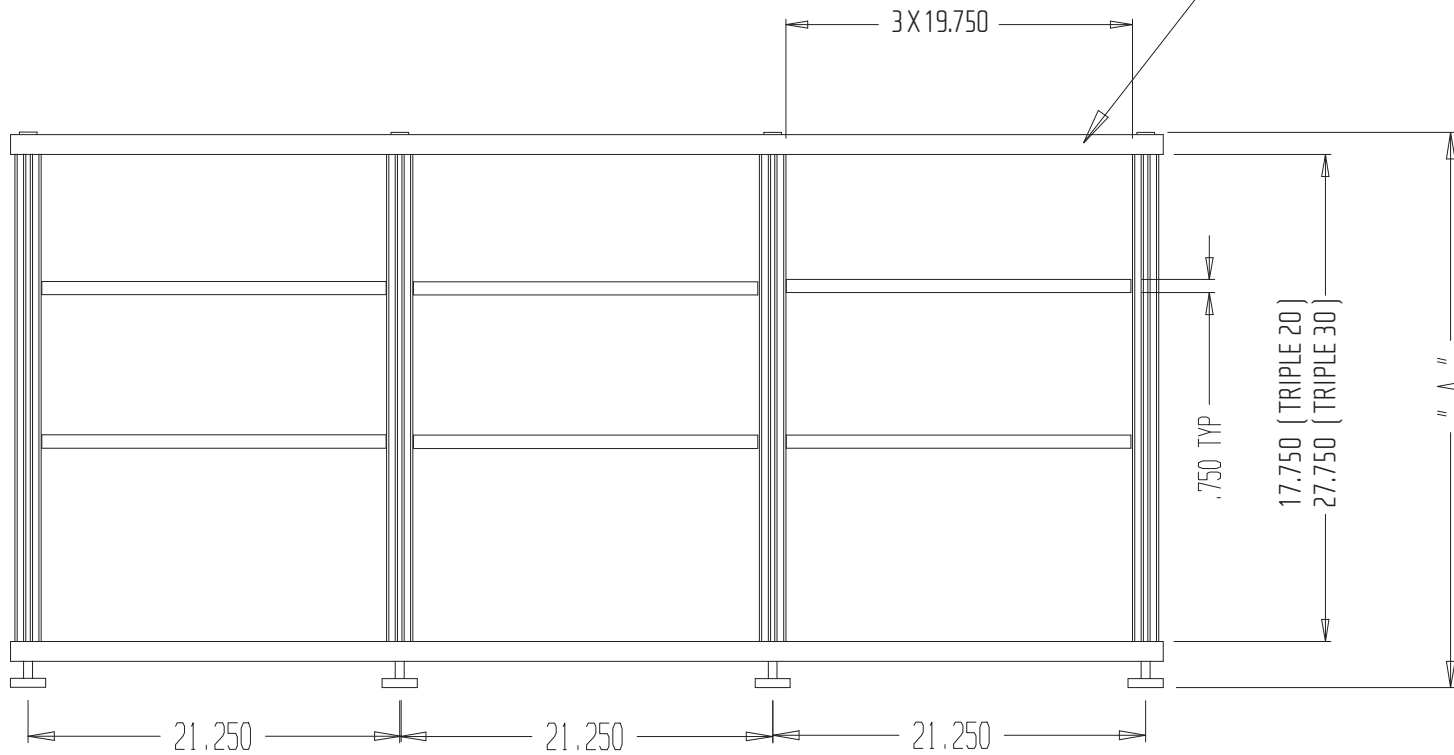
NOTES:
1. NUMBER OF ADJUSTABLE SHELVES
DEPENDS ON MODEL ORDERED:

TRIPLE 30 - 6 ADJUSTABLE SHELVES
TRIPLE 20 - 3 ADJUSTABLE SHELVES

REVISIONS			
REV	DESCRIPTION	DATE	APPROVED
00	RELEASE	01/01/03	



MAX CAPACITY:
300 LBS TOP & BOTTOM



MAXIMUM CAPACITY:
120 LBS. PER SHELF

ADJUSTABLE SHELVES
SEE NOTE 1

	"H"	
	TRIPLE 30	TRIPLE 20
STANDARD ADJUSTABLE FEET	31" - 32"	21" - 22"
HEAVY DUTY SATURN CASTERS	33 "	23 "
POLISHED ALUMINUM FEET	33 "	23 "

SALAMANDER CONFIDENTIAL AND PROPRIETARY

THIS SALAMANDER DOCUMENT CONTAINS PROPRIETARY AND CONFIDENTIAL INFORMATION OF SALAMANDER DESIGNS LTD.. IT IS LOANED ON CONDITION THAT IT AND THE INFORMATION THERIN SHALL NOT BE USED BY RECIPIENT NOR BE DISCLOSED TO OTHERS EXCEPT AS EXPRESSLY APPROVED BY SALAMANDER DESIGNS LTD. ANY DOCUMENT CONTAINING SUCH INFORMATION SHALL BE RETURNED ON REQUEST.



TOLERANCES:
DECIMALS:
XX +/- .02
XXX +/- .005
ANGLES +/- 1/2 DEG

SALAMANDER DESIGNS LTD.
HARTFORD, CT 06106

DESCRIPTION
OUTLINE: TRIPLE 30, 20

DRAWN BY	DATE	SIZE	LEVEL	DWG NO.	REV
		B		N/A	00
APPROVED	DATE	SCALE	FILE	SHEET	
		N/A		1 OF 1	