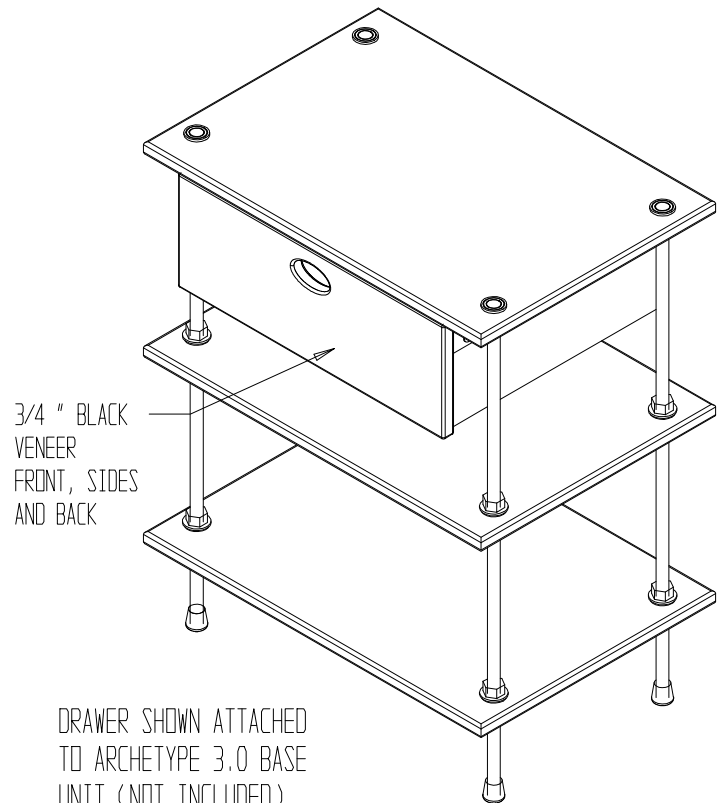



REVISIONS			
REV	DESCRIPTION	DATE	APPROVED
00	RELEASE	12/29/98	



DRAWER SHOWN ATTACHED TO ARCHETYPE 3.0 BASE UNIT (NOT INCLUDED)


**SALAMANDER CONFIDENTIAL AND PROPRIETARY**

THIS SALAMANDER DOCUMENT CONTAINS PROPRIETARY AND CONFIDENTIAL INFORMATION OF SALAMANDER DESIGNS LTD.. IT IS LOANED ON CONDITION THAT IT AND THE INFORMATION THERIN SHALL NOT BE USED BY RECIPIENT NOR BE DISCLOSED TO OTHERS EXCEPT AS EXPRESSLY APPROVED BY SALAMANDER DESIGNS LTD. ANY DOCUMENT CONTAINING SUCH INFORMATION SHALL BE RETURNED ON REQUEST.

	TOLERANCES: DECIMALS: XX +/- .02 XXX +/- .005 ANGLES +/- 1/2 DEG		<b>SALAMANDER DESIGNS LTD.</b> HARTFORD, CT 06106	
			DESCRIPTION OUTLINE: ARCHETYPE DRAWER	
DRAWN BY _____ APPROVED _____	DATE _____ DATE _____	SIZE B	LEVEL N/A	DWG NO. N/A
		SCALE N/A	FILE	SHEET 1 OF 1
				REV 00