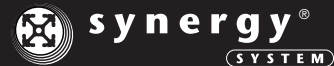
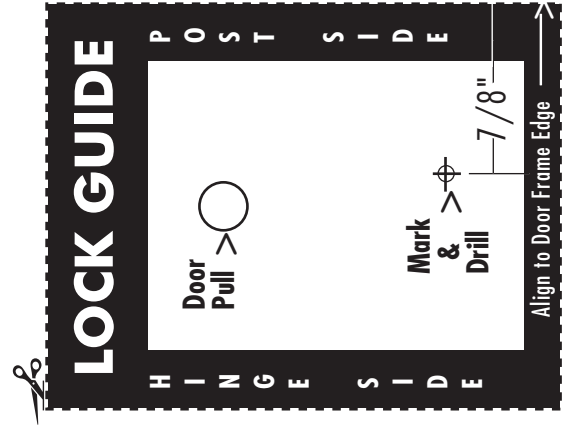
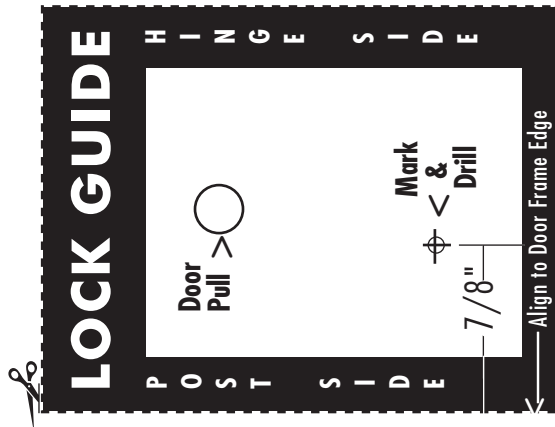


# DOOR LOCK

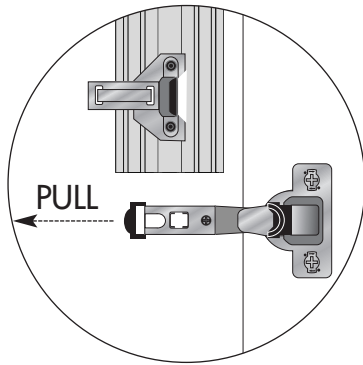


\*Note: Select Template for Left or Right Opening



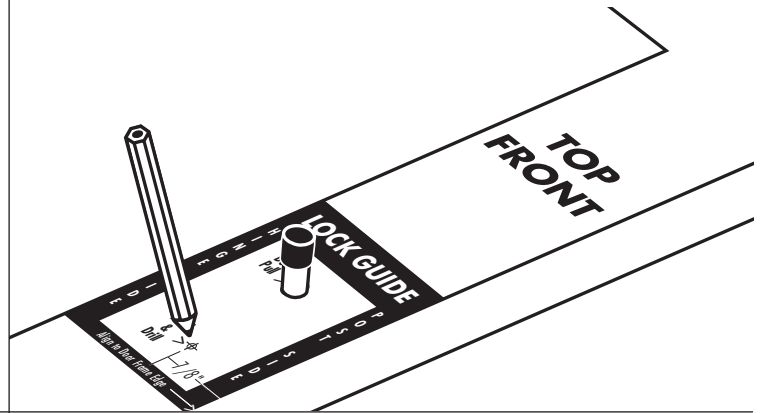
## 1. Detach Door & Pull

- A. Remove the Door from your unit by pulling apart the black plastic release.
- B. Unscrew Door Pull



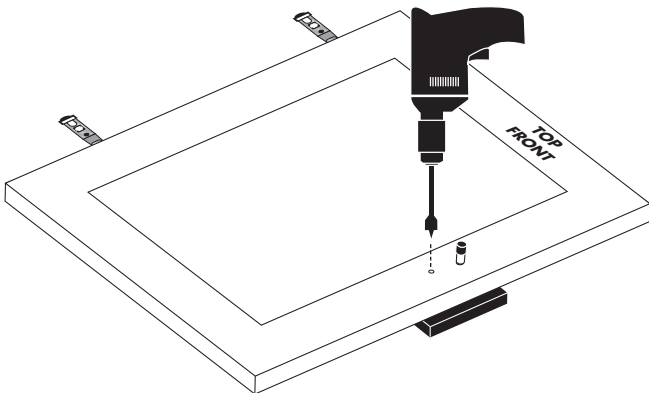
## 2. Mark Drill Hole

Cut-out Lock Guide (above) and place over the Door Pull hole and screw Pull back in place. With a pencil mark the lock guide. The mark must be 7/8" from the door frame.

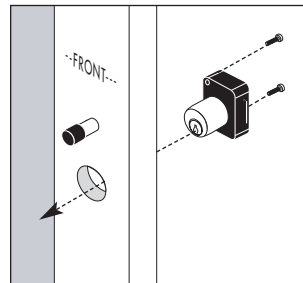


## 3. Drilling

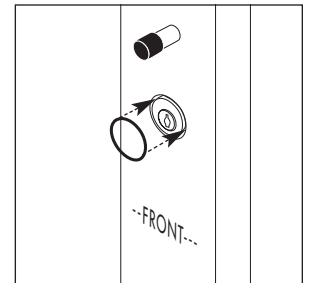
Remove Guide and place block behind lock mark and drill through Door Frame.



## 4. Screw Lock in Place



## 5. Press on Trim



## Limited Warranty

For five full years Salamander Designs Ltd will repair or replace, at our option, any product defective in materials or craftsmanship. Salamander Designs Ltd. will not be responsible for any damage to or destruction of other equipment consequential to our equipment failure. Defective product must be given Return Authorization and is to be returned to the factory prepaid, in the original carton and packing material. Any damage incurred in a shipment not in original packaging shall be the responsibility of the owner. Warranty repairs will be returned prepaid, via UPS within the continental U.S.A. only.

**Salamander Designs Ltd. 800-535-5659 • www.SalamanderDesigns.com**

Doc No. 500-393/v2 ©2003 Salamander Designs Ltd. Synergy System®

