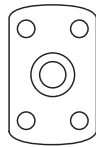


SYNERGY MEDIA TRAY 2 - SA/UPT2

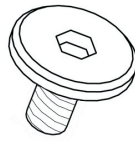
Parts

- 1 - Media Tray (303-315)
- 1 - Media Organizer (303-320)
- 1 - Rubber Liner (303-560)
- 1 - Large Slide (303-530)
- 1 - Small Slide (300-640)

4x
Flat Nut
300-560



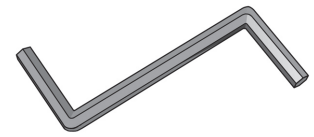
4x
Connector Bolt
303-815



4x
Drop-in Nut
300-565



1x
Z - Hex Key
400-170

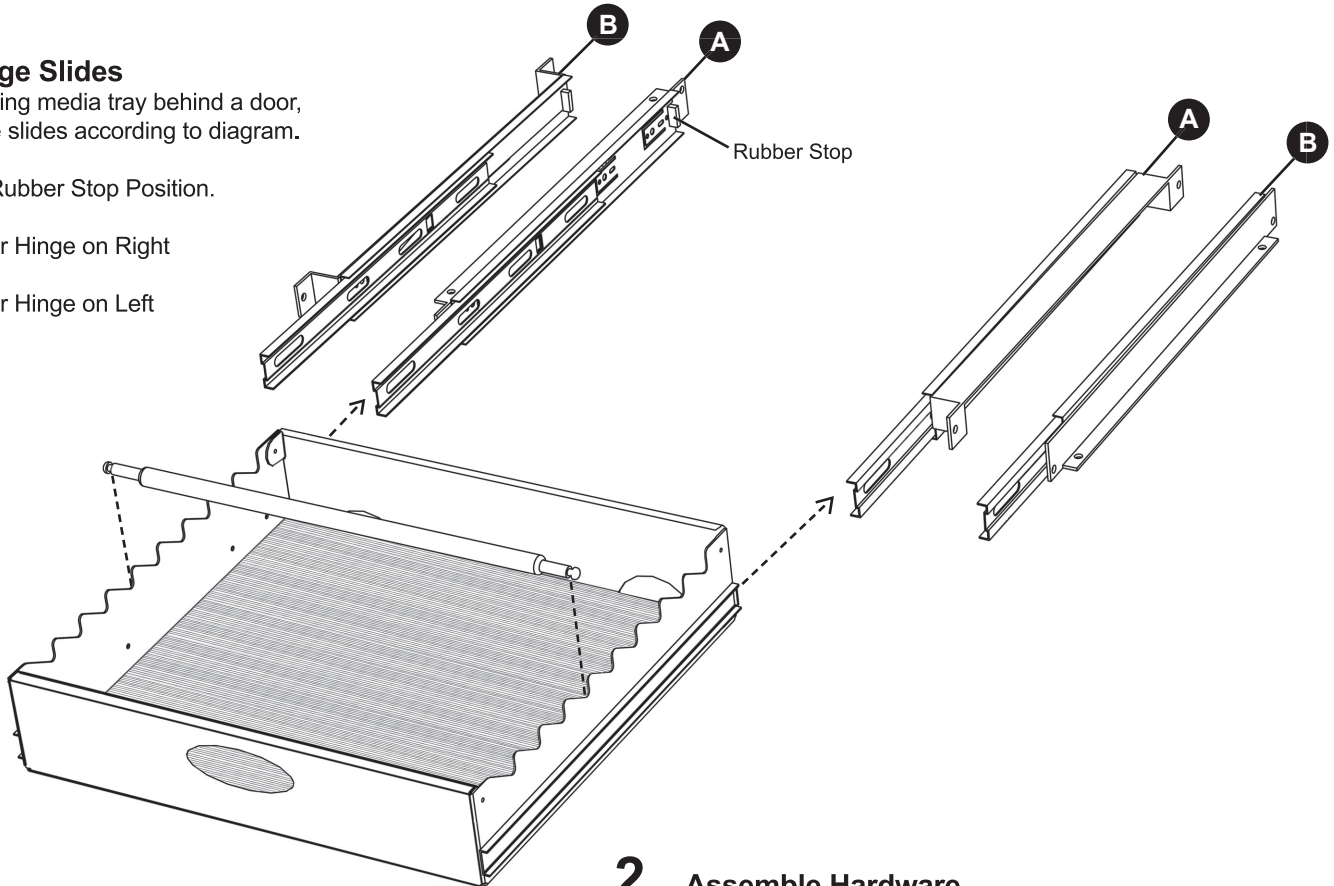


1. Arrange Slides

If installing media tray behind a door, arrange slides according to diagram.

Note: Rubber Stop Position.

- A** Door Hinge on Right
- B** Door Hinge on Left



2. Assemble Hardware

Loosely assemble hardware to slides as shown.

Note: Use Drop-in Nut (300-565) if unit is assembled, see enclosed instructions.

3. Place Tray

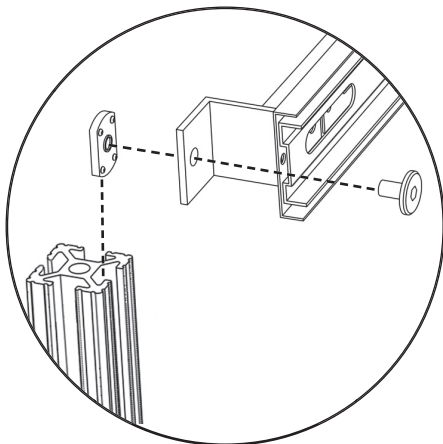
Firmly fit the media tray into slides until it clicks in place.

You can use a level to align media tray at desired position and secure slides in place using hex key.

4. Final Assembly

Place mat on the bottom of tray.

Use media organizer to keep CD's and DVD's upright.



Limited Warranty

Five full years Salamander Designs Ltd will repair or replace, at our option, any product defective in materials or craftsmanship. Salamander Designs Ltd. will not be responsible for any damage to or destruction of other equipment consequential to our equipment failure. Defective product must be given Return Authorization and is to be returned to the factory prepaid, in the original carton and packing material. Any damage incurred in a shipment not in original packaging shall be the responsibility of the owner. Warranty repairs will be returned prepaid, via UPS within the continental U.S.A. only.