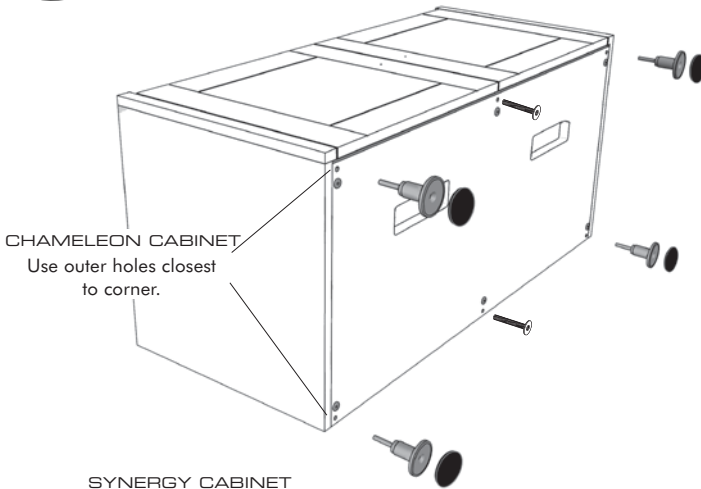
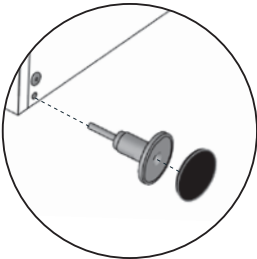


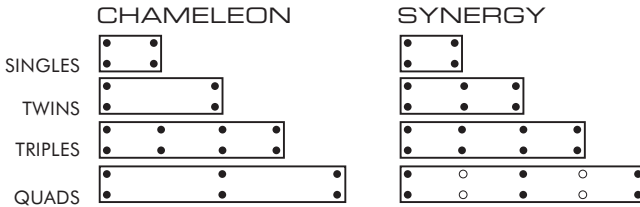
# FOOT ROBOT



SYNERGY CABINET



## FOOT PLACEMENT



- A.** Screw robot feet onto cabinet.
- B.** Adhere black pads to the bottom of each foot.
- C.** Fasten posts not requiring feet with provided connector bolts.