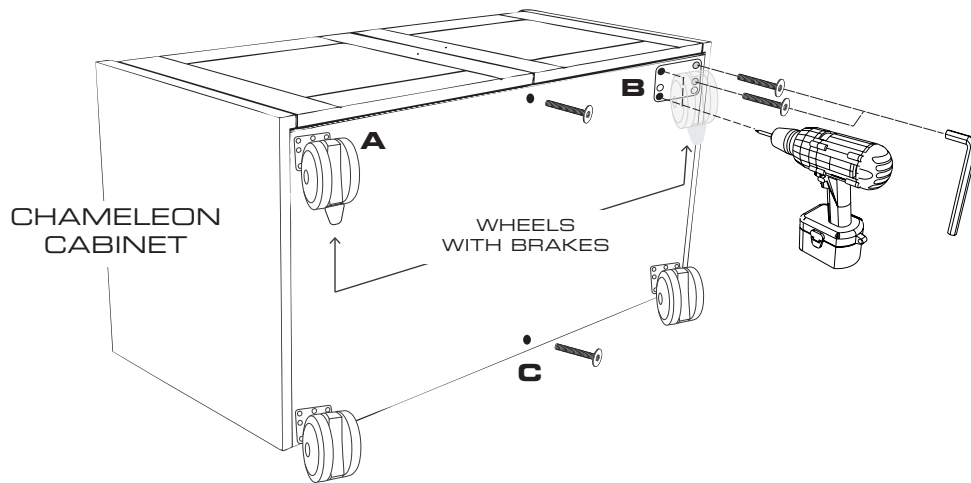
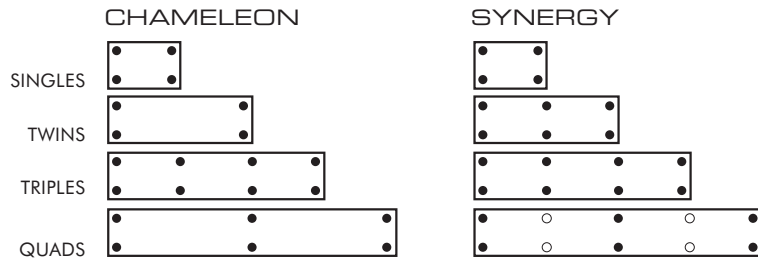
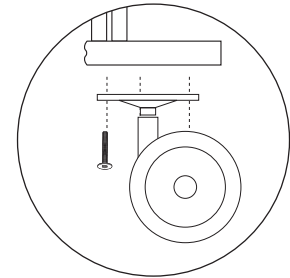


HEAVY DUTY CASTERS

WHEEL PLACEMENT

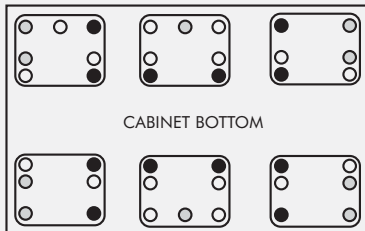


SYNERGY CABINET

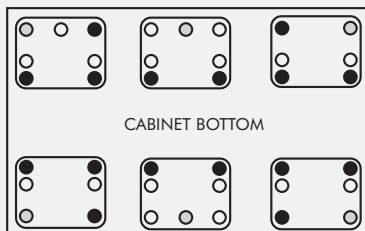


DRILLING PATTERN

CHAMELEON



SYNERGY



POSITIONING WHEEL BASEPLATE

- A.** Position the wheel baseplate so that it matches the drawing below:
- B.** Drill holes & fasten as shown in the drilling pattern to the left:

- Greyed holes use joint connector bolts (JCB)
- Black holes will need to be pre-drilled before attaching with supplied wood screw. Using a drill & supplied bit, predrill to the marked depth of the bit. Attach with supplied wood screws.

- Not used.

- C.** Fasten posts not requiring wheels with provided JCB bolts.