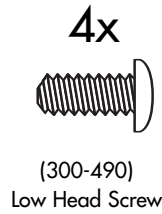
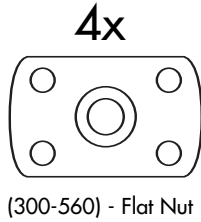


SYNERGY DOUBLE-WIDTH SHELF - SA/DS

Hardware Bag - PHK-510

Parts

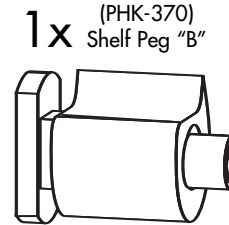
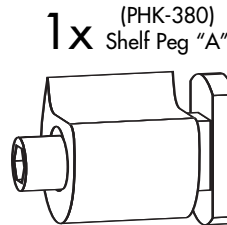
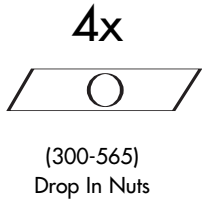
- 1 - Center Post
- 1 - Double-Width Shelf
- 2 - Shelf Brackets



1x 1/8" Hex Key (400-070)



1x
(300-265)
Post End Cap



Installing the Double-Width Shelf to Assembled Units

Removing Top (Recommended):

Remove top connector bolts and set aside for step 5.

Without Removing Top:

Remove center connector bolt and loosen all other top bolts. Unscrew the foot below the center post and CAREFULLY remove the post.

Use the Drop-In Nuts in place of the Flat-Nuts in step 2.

1 Connect Post to Bottom Shelf

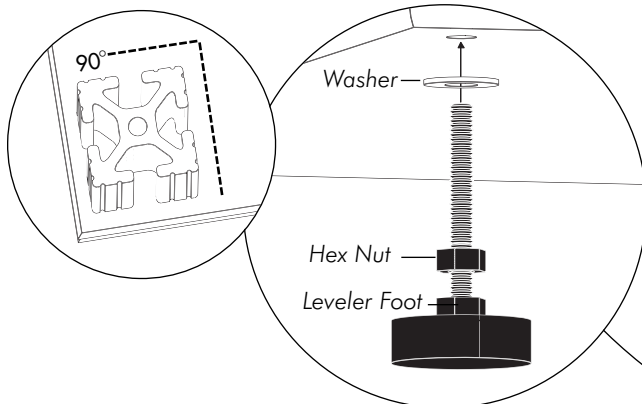
A. Connect Post

Install short post front and center. Square the post to the bottom shelf and screw foot with metal washer through to the extruded post. Hand tighten fully and use wrench to tighten nut onto underside of shelf.



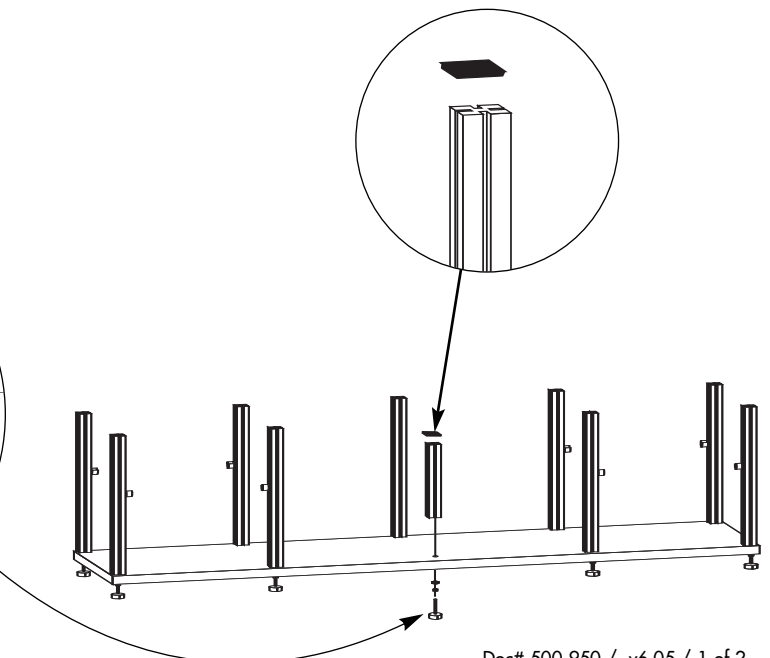
WARNING:

Tighten by screwing the leveler foot NOT the post.



B. Post Cover

Press post cover onto the center post to protect the center shelf.



2 Shelf Brackets

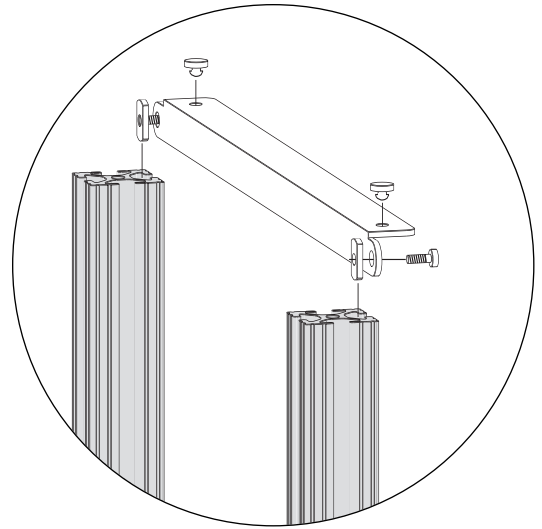
A. Place the low head screws through the 2 holes of each shelf bracket and attach loosely to *Flat Nuts.

** If you are installing the shelf to an assembled unit use the Drop-In-Nuts in place of the Flat Nuts.*

B. Insert 2 rubber shelf tabs through the top of each bracket.

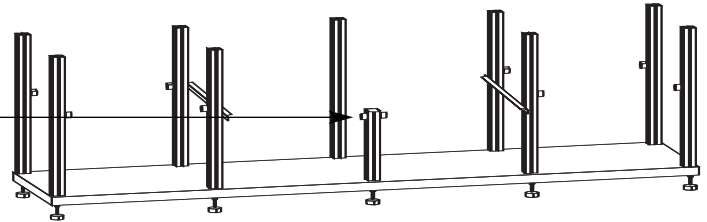
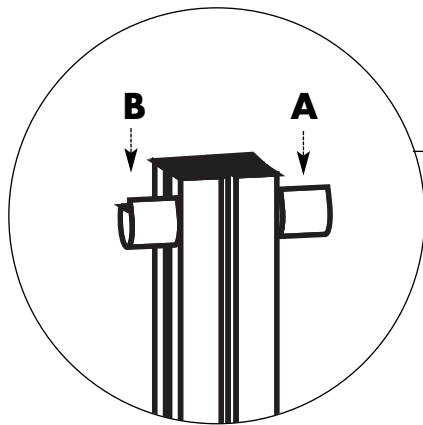
C. Slide the flat nuts/bracket down the post channels.

D. Position the brackets close to the top of the center post.



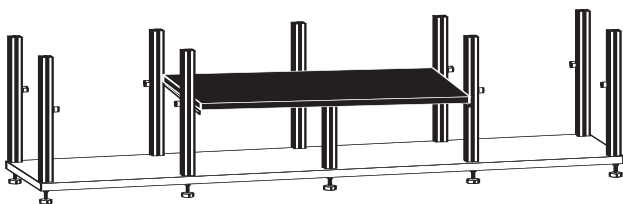
Note:

If installing Doors below the Double-Width Shelf slide shelf pegs down both sides of center post as door stops.



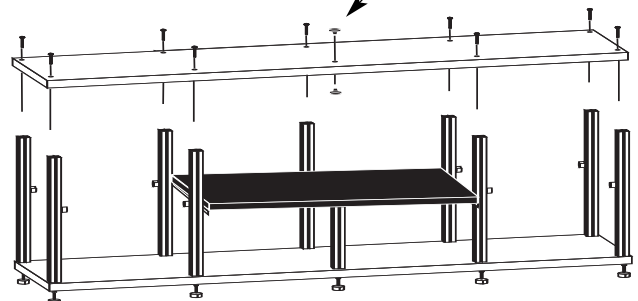
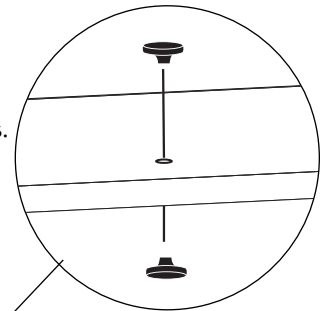
3 Place Shelf

Shelf rests securely onto rubber tabs and center post.



4 Final Assembly

Secure top with connector bolts. Use the plastic cap plugs to conceal center hole.



Limited Warranty

For five full years Salamander Designs Ltd. will repair or replace, at our option, any product defective in materials or craftsmanship. Salamander Designs Ltd. will not be responsible for any damage to or destruction of other equipment consequential to our equipment failure. Defective product must be given Return Authorization and is to be returned to the factory prepaid, in the original carton and packing material. Any damage incurred in a shipment not in original packaging shall be the responsibility of the owner. Warranty repairs will be returned prepaid, via UPS within the continental U.S.A. only. **Salamander Designs Ltd.** • **800-535-5659** • **www.SalamanderDesigns.com**

