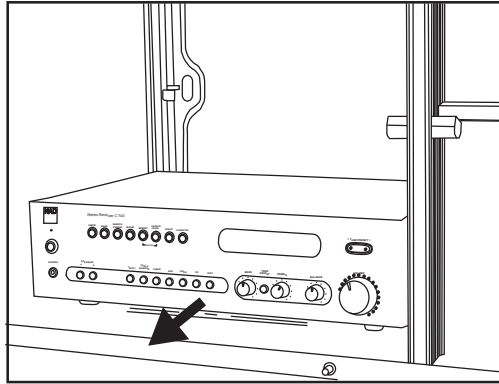


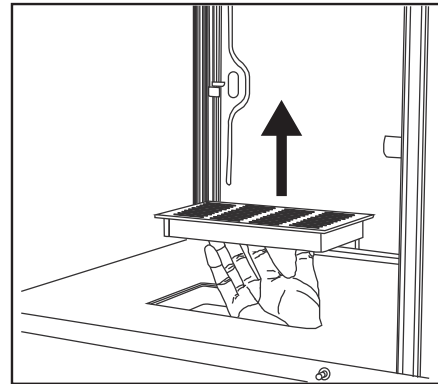


# BOTTOM VENT WITH **ACTIVE COOLING**



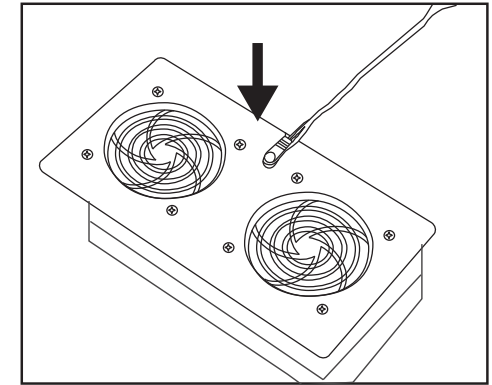
## 1. REMOVE COMPONENTS

Remove components located directly above the passive cooling vent to be replaced.



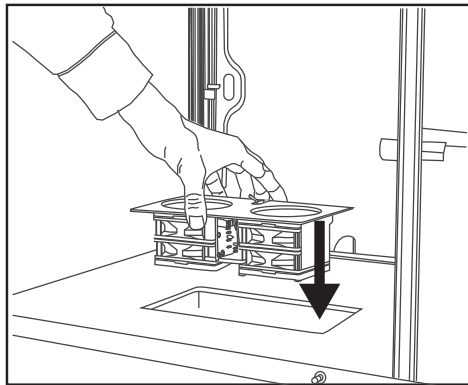
## 2. REMOVE EXISTING VENT

Remove passive cooling vent by pushing up from underside firmly to break the adhesive bond. Do not pry from the top – this will mar the surface.



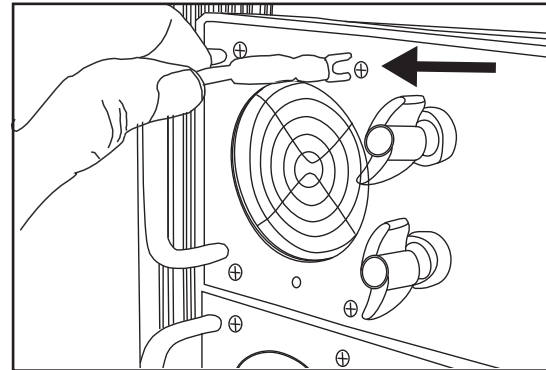
## 3. INSTALL POWER SUPPLY

Install power supply connection to the round outlet in the slotted face of the fan assembly. You may route the wires through the top or bottom of assembly.



## 4. INSTALL FAN

Place the fan assembly into the mounting hole guiding the assembly squarely into the recessed area on the back of the faceplate. Adhesive is not necessary for this installation. If desired a light bead of silicone sealer can be used.



## 5. ATTACH TEMP SENSOR

Attach the temp wire. It is recommended the attach the temp wire to the hottest heat source in the cabinet. Use the supplied magnet or connect the spade connector of the sensor directly to the component.

## WARNING ROTATING FANS

Please provide ample clearance from obstructions such as carpet.

### Limited Warranty

Salamander Designs will repair or replace any defect in material or workmanship which occurs during normal use of this product with new or rebuilt parts, free of charge in the USA, for two years from the date of original purchase. This is a no hassle warranty with no mail in warranty card needed. This warranty does not cover damages in shipment, failures caused by other products not supplied by Salamander Designs, or failures due to accident, misuse, abuse, or alteration of the equipment. This warranty is extended only to the original purchaser, and a purchase receipt, invoice, or other proof of original purchase date will be required before warranty repairs are provided.

Mail in service can be obtained during the warranty period by calling toll-free (800) 535-5659. A Return Authorization number must be obtained in advance and can be marked on the outside of the shipping carton.

This warranty gives you specific legal rights and you may have other rights (which vary from state to state). If a problem with this product develops during or after the warranty period, please contact Salamander Designs, your dealer or any factory-authorized service center.

[www.SalamanderDesigns.com](http://www.SalamanderDesigns.com)

800-535-5659