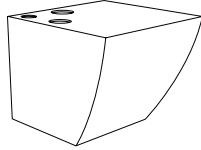


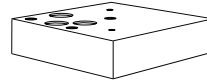
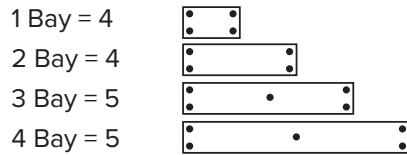


Low Profile & Tapered Wood Blocks

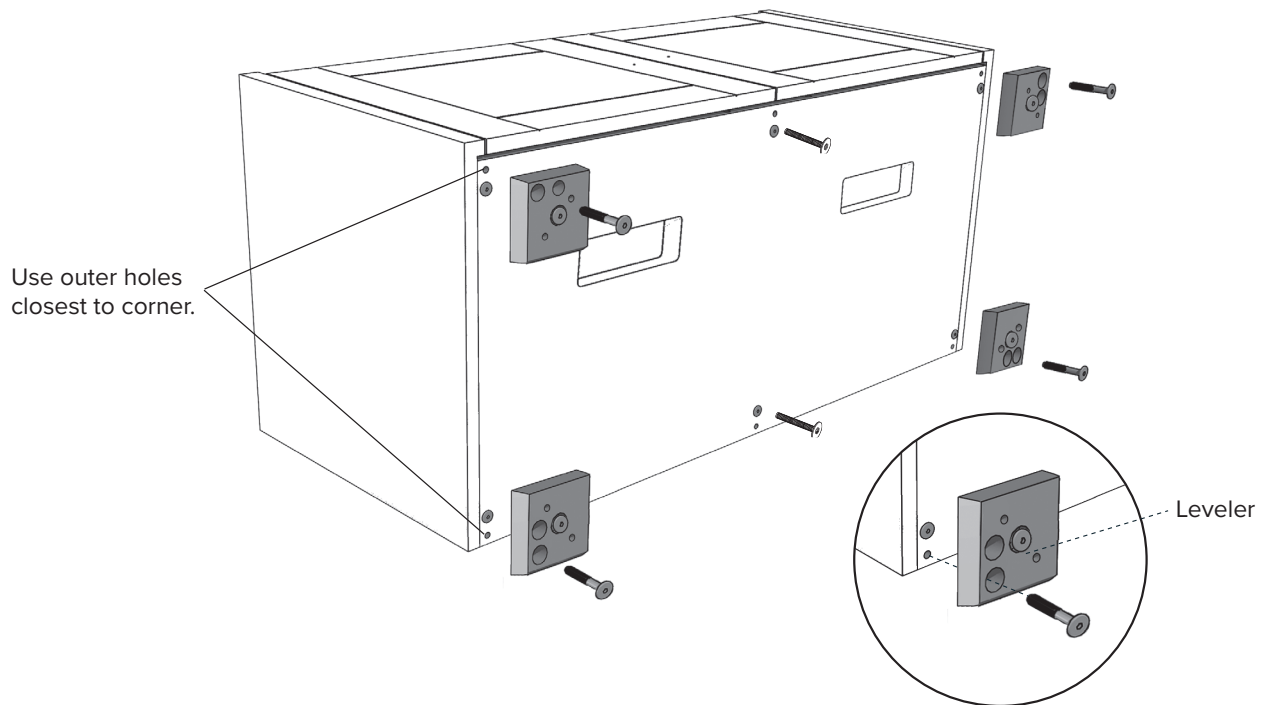
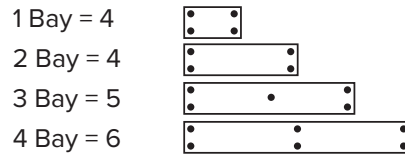
INSTRUCTION



Wood Block Placement



Low Profile Wood Block Placement



Attaching Foot

- A.** Slide connector bolt through wood feet and into cabinet. Secure foot in place using hex key.
- B.** Fasten posts not requiring feet with provided connector bolts.
- C.** Level cabinet as needed with plastic levelers.

TIP: Level cabinet prior to loading with equipment.



LIMITED WARRANTY FOR COMMERCIAL VIDEO DISPLAY STANDS AND MOUNTS

Salamander is proud to stand behind our products with industry-leading warranties. Should you ever encounter any problem with your Salamander product, let us know. We are here to make it right. 1.800.535.5659 - 860.761.9500

Full warranty including limitations and warranty claim information may be found at www.salamanderdesigns.com/commercial/warranty