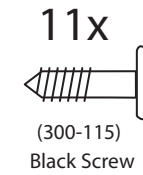
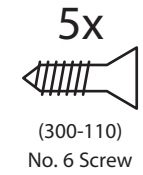
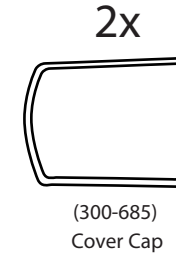
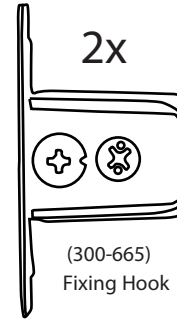
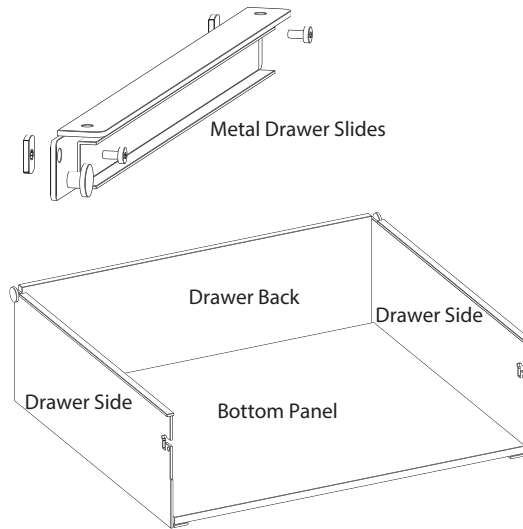


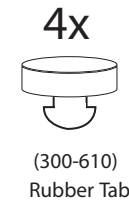
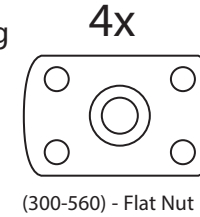
SYNERGY MEDIA DRAWER – SA/MD

Parts

- 1 - Drawer Face (200-630)
- 2 - Metal Drawer Slides
- 1 - Bottom Panel (200-640)
- 1 - Drawer Back (200-650)
- 2 - Drawer Brackets (300-640)
- 6 - C/S Rivets
- 6 - Backup Washers

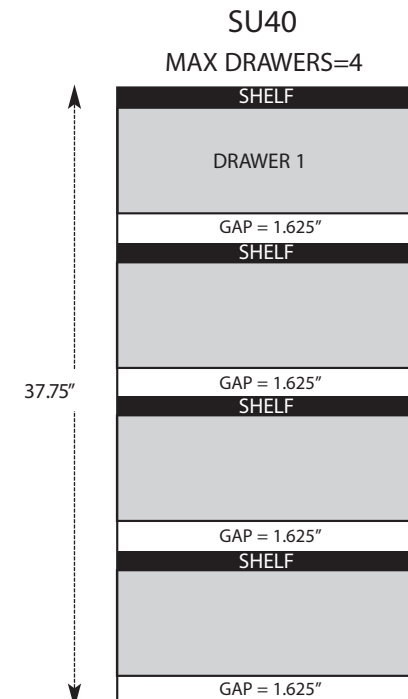
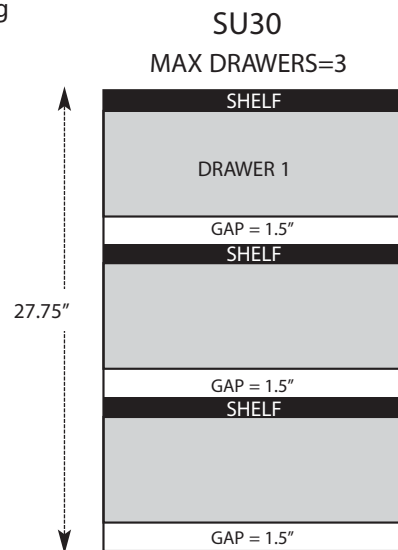
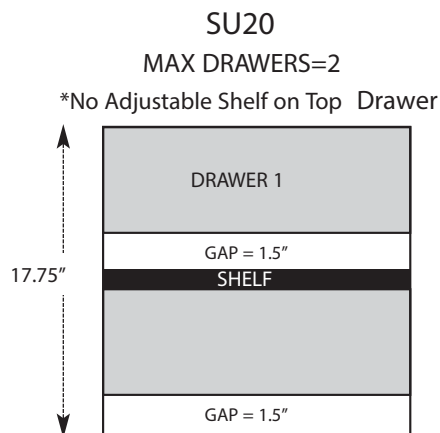


Shelf Bracket Bag
PHK-150



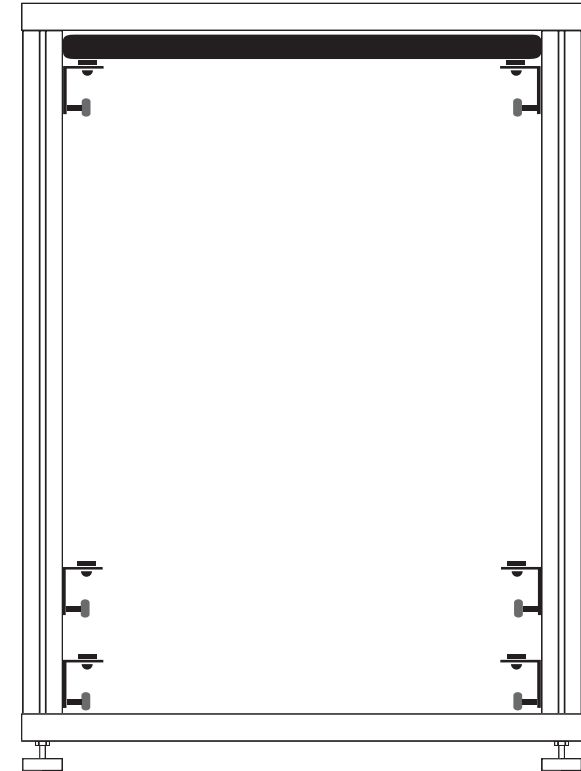
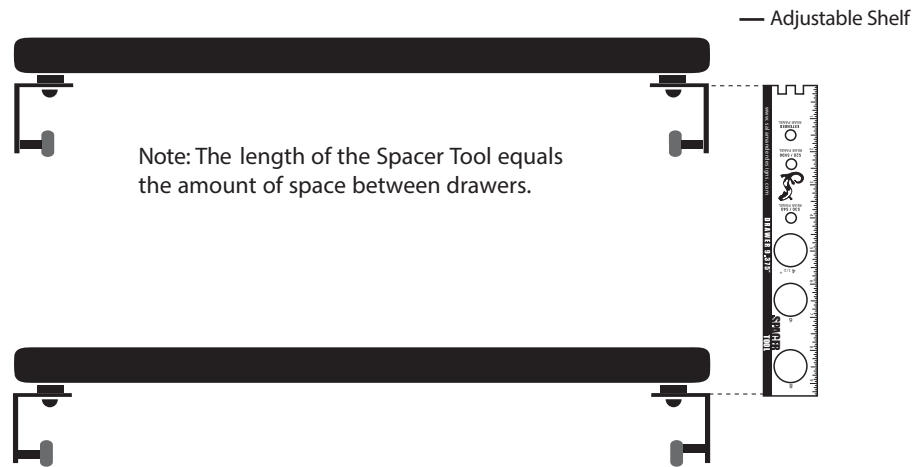
Drawer Spacer Tool

Use the Spacer Tool (included with base unit) for reference when spacing drawers. Refer to these measurements when installing 2 drawers on a SU20, 3 drawers on an SU30 or 4 drawers on a SU40.



1 Installing Multiple Drawers

Note: Position the top of the Tool along the top of the first set of drawer slides and set the next set of drawer slides to align along the bottom of the Door. Tighten each set of drawer slides.



Limited Warranty

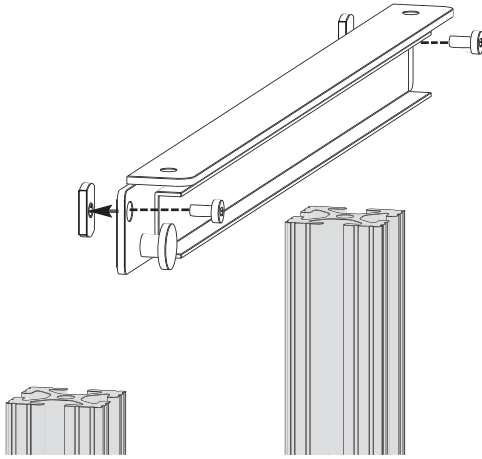
For five full years Salamander Designs Ltd will repair or replace, at our option, any product defective in materials or craftsmanship. Salamander Designs Ltd. will not be responsible for any damage to or destruction of other equipment consequential to our equipment failure. Defective product must be given Return Authorization and is to be returned to the factory prepaid, in the original carton and packing material. Any damage incurred in a shipment not in original packaging shall be the responsibility of the owner. Warranty repairs will be returned prepaid, via UPS within the continental U.S.A. only.

Salamander Designs Ltd. 800.535.5659

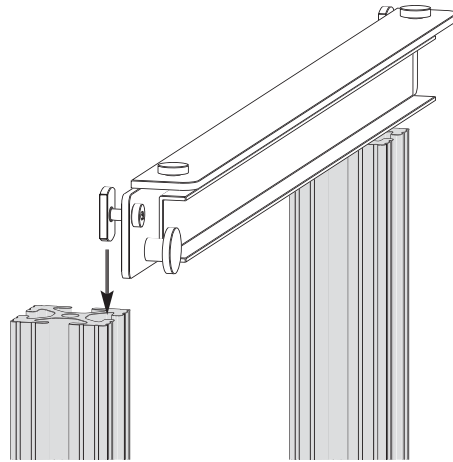
www.salamanderdesigns.com

2 Insert Drawer Slides

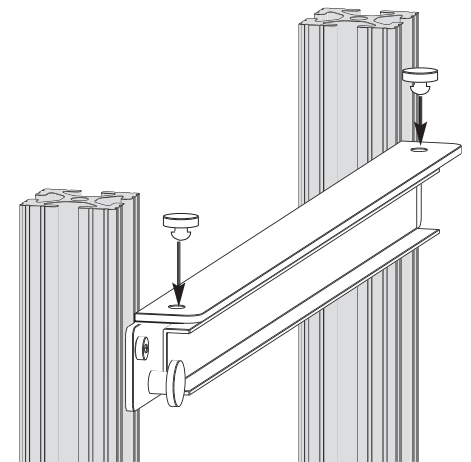
A. Place the low heads in the 2 holes of each drawer slide and attach loosely.



B. Insert the weld nuts into the channels making sure that the rollers face the front of the rack. Use the Spacer Tool provided and the instructions on opposite side to help space the drawer(s) as desired.

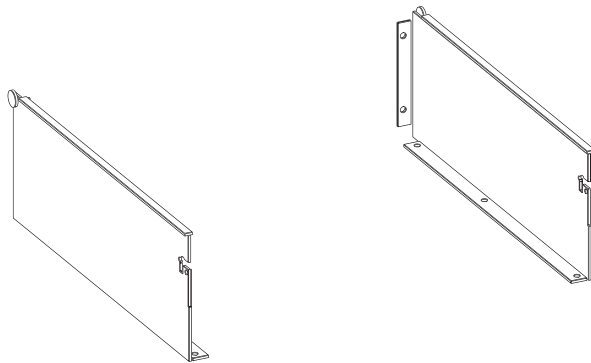


C. Insert the Rubber Tabs into the 2 holes on the shorter part of the bracket with the flat side facing up.



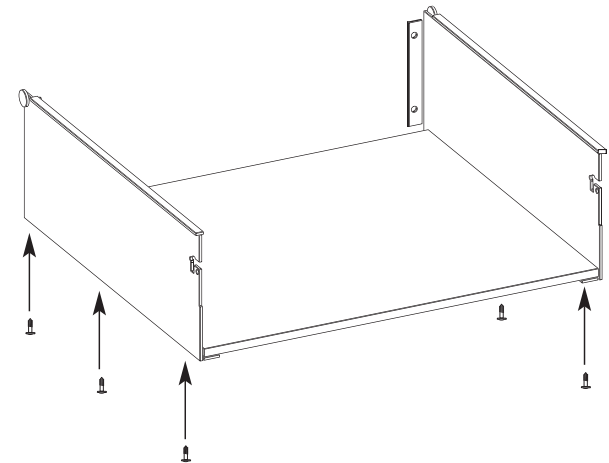
3 Layout Sides

Place the sides parallel to each other with the rollers on the top outer corners.



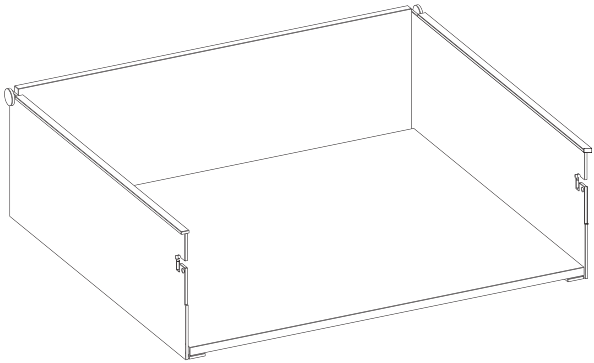
4 Place Bottom

Place the bottom panel in between slides with the rounded edge facing forward and make sure the pre-drilled holes are on the underside. Match the bracket holes with the pilot holes and attach six black screws from bottom.



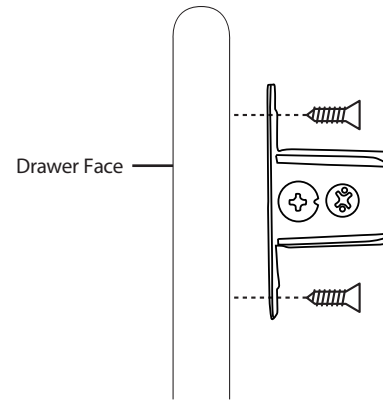
5 Insert Back Panel

Drop the back panel into place, rounded edge up, matching pilot holes with holes on the brackets and attach black screws from behind.



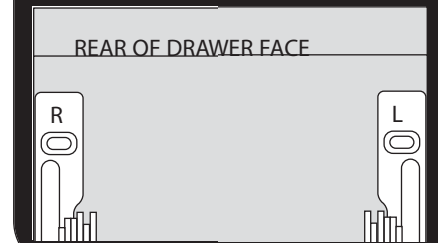
6 Add Fixing Hooks to Drawer Face

Adjustment screws on the fixing hook should face outside of the drawer box.



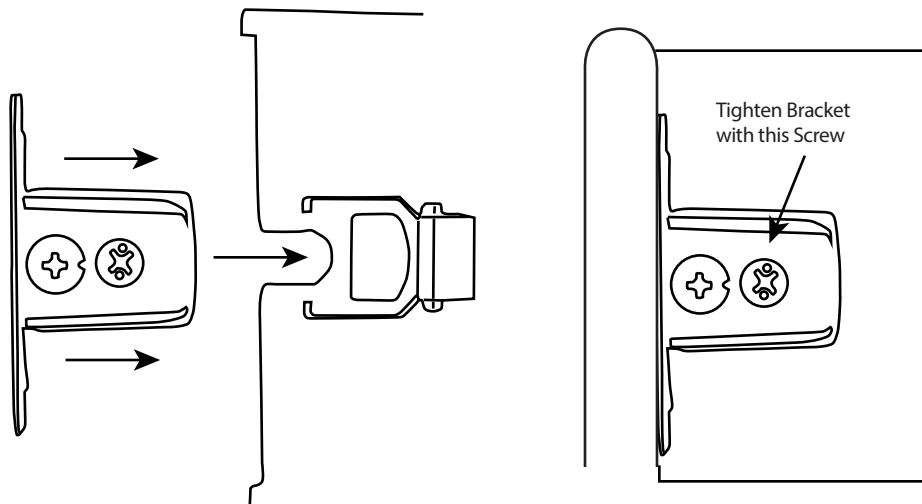
NOTE:

The two fixing hooks that attach to the front panel are different. Each Bracket is marked "R" or "L".



7 Attaching Panels

Slip the bracket onto the drawer sides. Tighten inset screw to tighten clamp bracket to drawer side.



8 Adjust Height and Add Trim Cover

Note: To adjust drawer height, turn outer screw to left or right. Apply trim cover to bracket.

