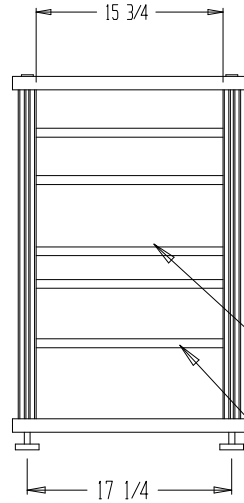
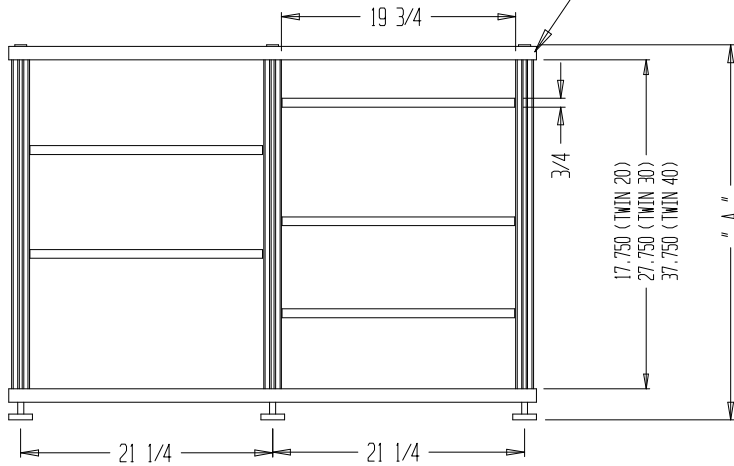


NOTES:
 1. NUMBER OF ADJUSTABLE SHELVES
 DEPENDS ON MODEL ORDERED:
 TWIN 40 - 8 ADJUSTABLE SHELVES
 TWIN 30 - 4 ADJUSTABLE SHELVES
 TWIN 20 - 2 ADJUSTABLE SHELVES

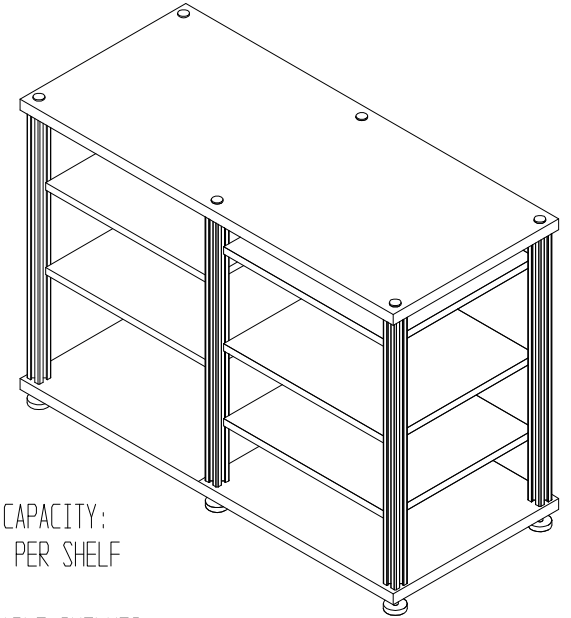
REVISIONS			
REV	DESCRIPTION	DATE	APPROVED
00	RELEASE	12/29/98	

MAX CAPACITY:
 300 LBS TOP & BOTTOM



MAXIMUM CAPACITY:
 120 LBS. PER SHELF


ADJUSTABLE SHELVES
 SEE NOTE 1



	"A"		
	TWIN 40	TWIN 30	TWIN 20
STANDARD ADJUSTABLE FEET	41" - 42"	31" - 32"	21" - 22"
HEAVY DUTY SATURN CASTERS	43 "	33 "	23 "
POLISHED ALUMINUM FEET	43 "	33 "	23 "

SALAMANDER CONFIDENTIAL AND PROPRIETARY

THIS SALAMANDER DOCUMENT CONTAINS PROPRIETARY AND CONFIDENTIAL INFORMATION OF SALAMANDER DESIGNS LTD.. IT IS LOANED ON CONDITION THAT IT AND THE INFORMATION THERIN SHALL NOT BE USED BY RECIPIENT NOR BE DISCLOSED TO OTHERS EXCEPT AS EXPRESSLY APPROVED BY SALAMANDER DESIGNS LTD. ANY DOCUMENT CONTAINING SUCH INFORMATION SHALL BE RETURNED ON REQUEST.

	TOLERANCES: DECIMALS: XX +/- .02 XXX +/- .005 ANGLES +/- 1/2 DEG		SALAMANDER DESIGNS LTD. HARTFORD, CT 06106			
	DRAWN BY _____ DATE _____		DESCRIPTION OUTLINE: TWIN 40, 30, 20		REV 00	
APPROVED _____ DATE _____		SIZE B	LEVEL	DWG NO. N/A	SHEET 1 OF 1	
		SCALE N/A	FILE			