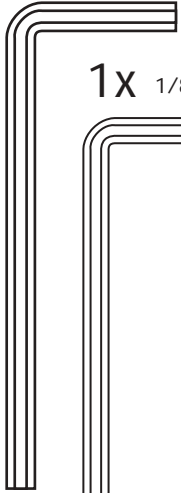


SYNERGY RACK MOUNT - SA/RM

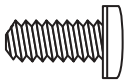
1x 5/32" Hex Key - (400-080)



1x 1/8" Hex Key - (400-070)



8x



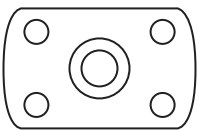
(300-485)
Button Head Screw

12x



(301-360)
Mounting Screw

8x



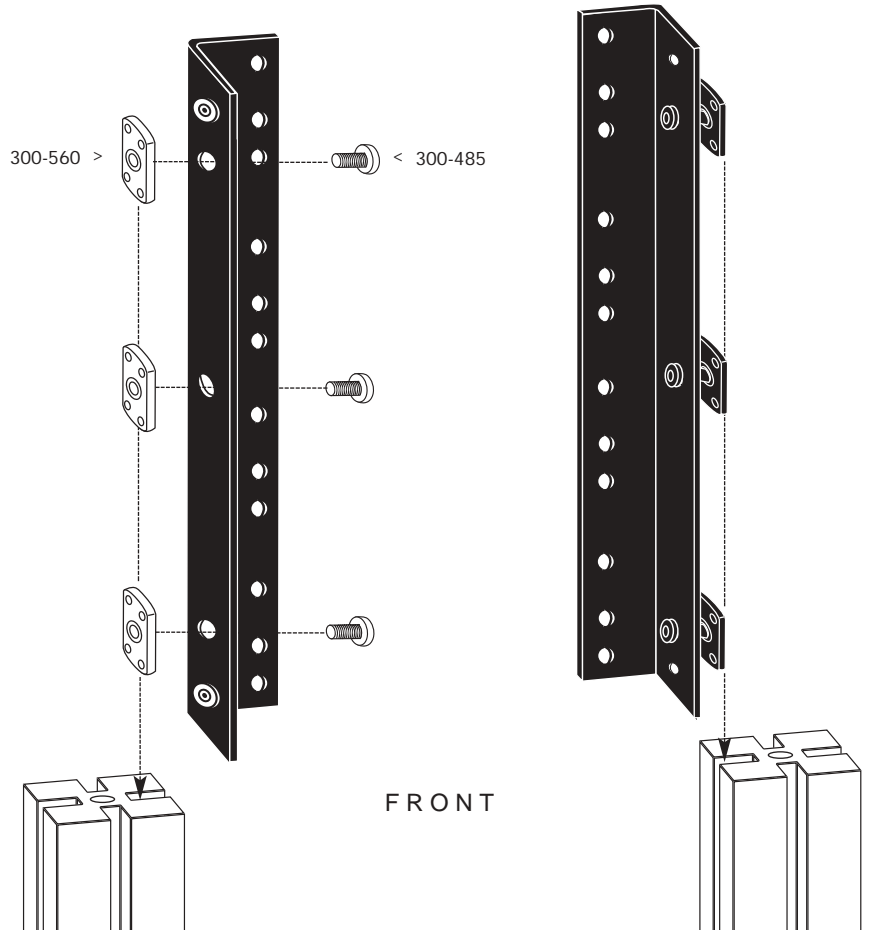
(300-560) - Flat Nut

4x



(300-565)
Drop-In Nut
(Only Use on Assembled Units)

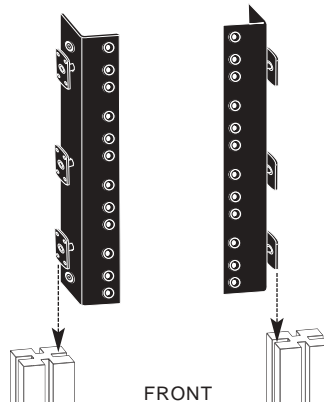
- A. Place the Button Head Screw in the two holes of each bracket and attach loosely with Flat Nut or Drop-In Nut.
- B. Insert Flat Nuts into the channels with brackets recessed. Secure screws with Key.
- C. Use mounting screws to mount gear on to brackets.



NOTES

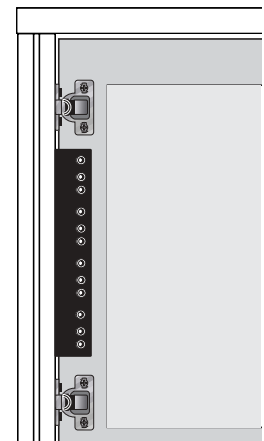
Installing Gear Forward

Brackets may be reversed to bring gear forward.



For Use Behind Door

Install brackets away from door hinges.



Limited Warranty

For five full years Salamander Designs Ltd. will repair or replace, at our option, any product defective in materials or craftsmanship. Salamander Designs Ltd. will not be responsible for any damage to or destruction of other equipment consequential to our equipment failure. Defective product must be given Return Authorization and is to be returned to the factory prepaid, in the original carton and packing material. Any damage incurred in a shipment not in original packaging shall be the responsibility of the owner. Warranty repairs will be returned prepaid, via UPS within the continental U.S.A. only.

www.SalamanderDesigns.com
800-535-5659