



PM300 Speaker Mount Kits Assembly

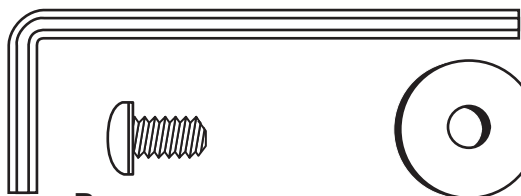
BEFORE YOU BEGIN

- Carefully inspect the mount for shipping damage or missing parts. If any damage is apparent or you are missing parts contact Salamander Designs at 800-535-5659.
- Read ALL assembly instructions before assembly. If you have any questions, please contact your installation contractor or Salamander Designs.
- This TV mount is intended for use with Flat-Panel TV 61" or smaller.
- Total weight capacity of TV **WITH** optional speaker mount kits:
Salamander PM300 Wall Mounts (PM300/T and PM300/F): 220 lbs.
Synergy Triple & Quad Cabinet Mounts (SL/PM and SQ/PM): 180 lbs.
Synergy Twin Cabinet Mount (SN/PM): 150 lbs. Recommended 50" TV or smaller.
- Use with products heavier than the maximum weight or larger than the size indicated may result in instability causing possible injury.
- Mounts must be attached as specified in assembly instructions. Improper installation can result in serious personal injury.

LIMITED WARRANTY- For five full years Salamander Designs Ltd. will repair or replace, at our option, any product defective in materials or craftsmanship. Salamander Designs Ltd. will not be responsible for any damage to or destruction of other equipment consequential to our equipment failure. Defective product must be given Return Authorization and is to be returned to the factory prepaid, in the original carton and packing material. Any damage incurred in a shipment not in original packaging shall be the responsibility of the owner. Warranty repairs will be returned prepaid, via UPS within the continental U.S.A. only.

L&R Speaker Kit Hardware- PHK-710

A (1x) 400-080 5/32" Hex Key

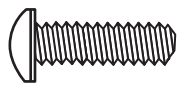


B (8x) 300-518
Button Head Screw

C (8x) 300-515
1/4" Bonded Washer

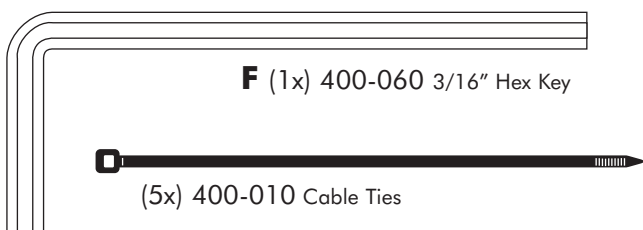


D (4x) 300-720
Double Flat Nut



E (4x) 301-010
Pan Head Screw

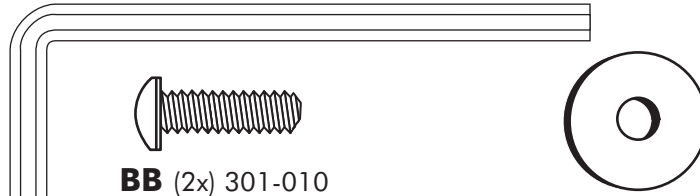
F (1x) 400-060 3/16" Hex Key



(5x) 400-010 Cable Ties

Center Speaker Kit Hardware- PHK-720

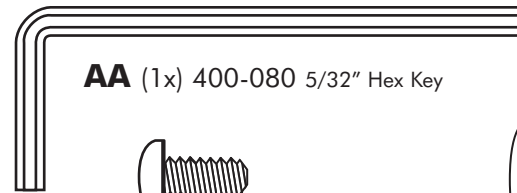
FF (1x) 400-060 3/16" Hex Key



BB (2x) 301-010
Pan Head Screw

CC (2x) 300-515
1/4" Bonded Washer

AA (1x) 400-080 5/32" Hex Key



DD (2x) 300-485
Button Head Screw

EE (2x) 300-560
Large Flat Nut



(3x) 400-010 Cable Ties

1. Attach Speaker Posts

Left & Right Speaker Kit

Loosely assemble 8 of the screws (B), washers (C) and flat nuts (D) through the holes along the top and bottom of the horizontal bracket. Do not tighten. See Diagram 1.

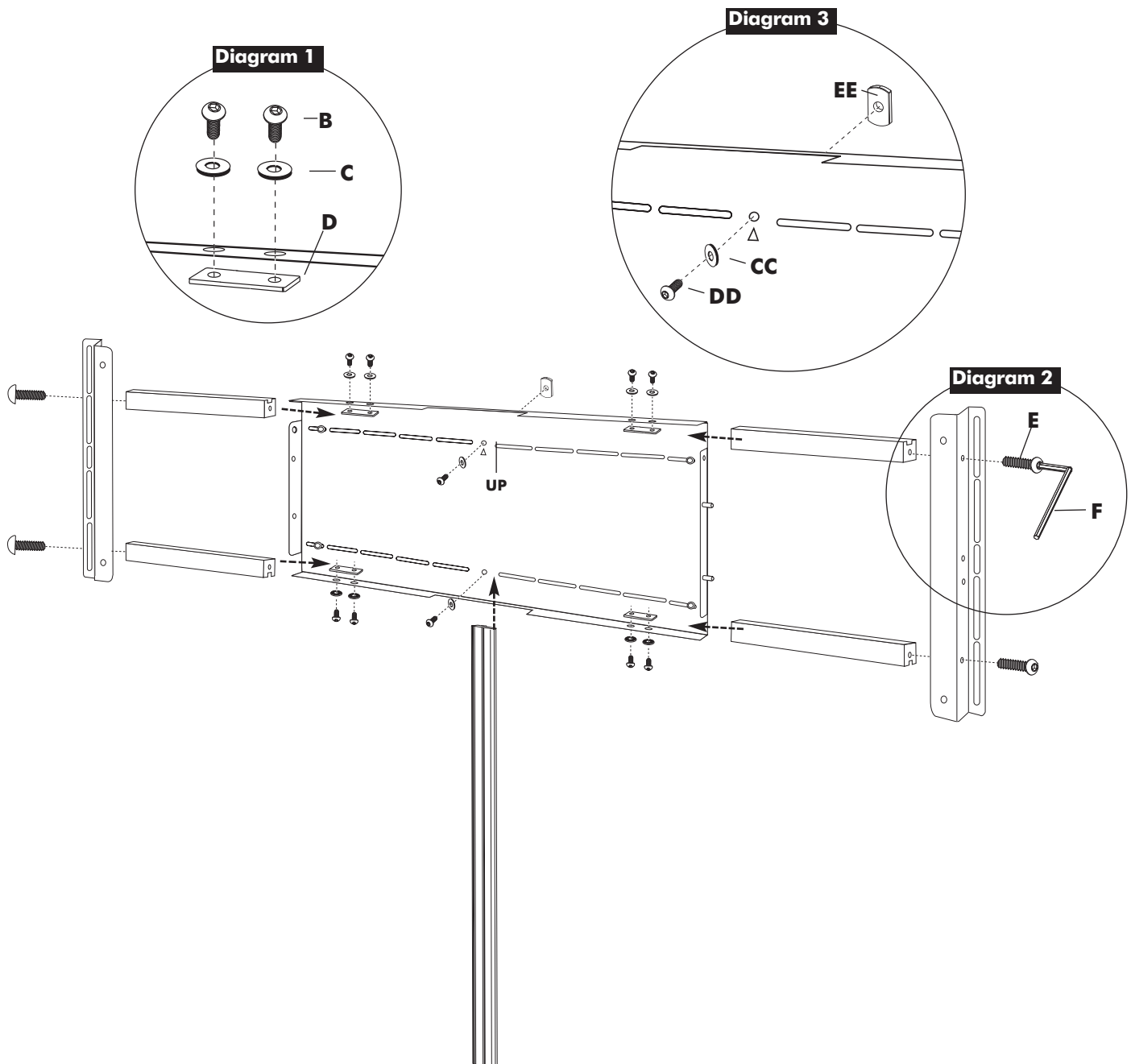
Slide the extrusion slot into the flat nut assembly as shown.

Attach speaker brackets using screws (E).
See Diagram 2.

Center Speaker Kit

Loosely assemble 2 of the screws (DD), washers (CC) and flat nuts (EE) through the 2 holes along the center of the horizontal bracket. See Diagram 3.

Slide the extrusion through the flat nuts (EE) assembly as shown.

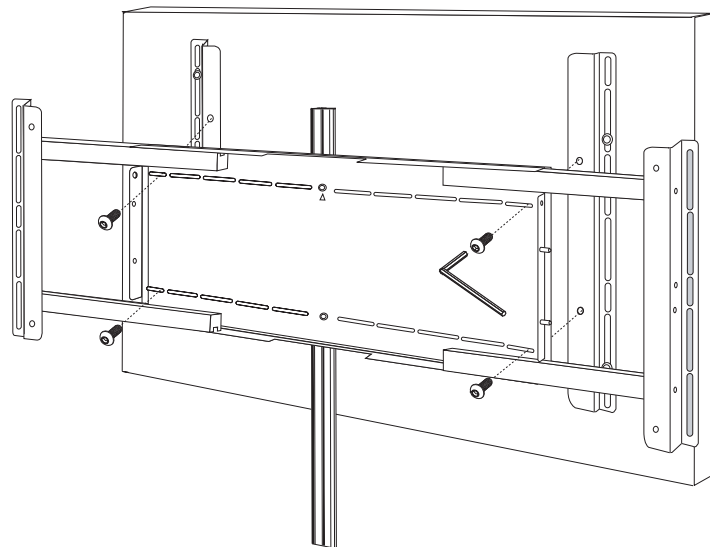
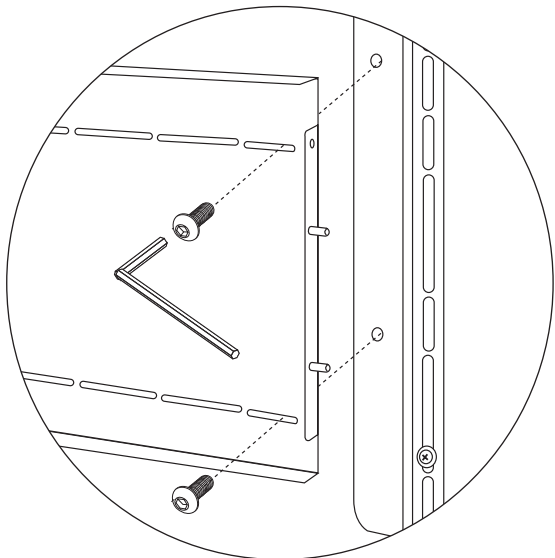


2. Place onto to TV

Refer to PM300 Mount instructions for more details.

NOTE: Arrow indicates UP on horizontal interface bracket.

Center the horizontal interface bracket with speaker mounts onto the TV. Mount the bracket the two vertical brackets, using 4 mounting screws secure in place with the hex key. Hardware supplied with PM300 Mount.



3. Mount Left and Right Speakers

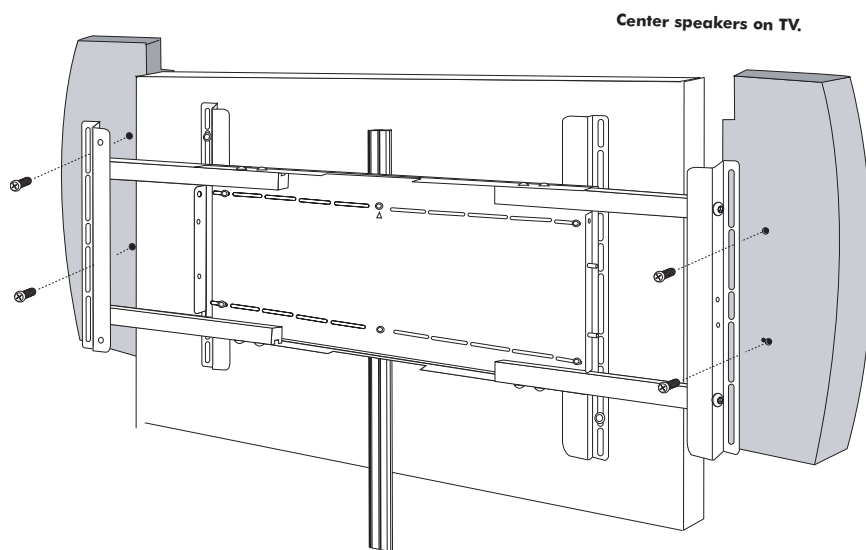
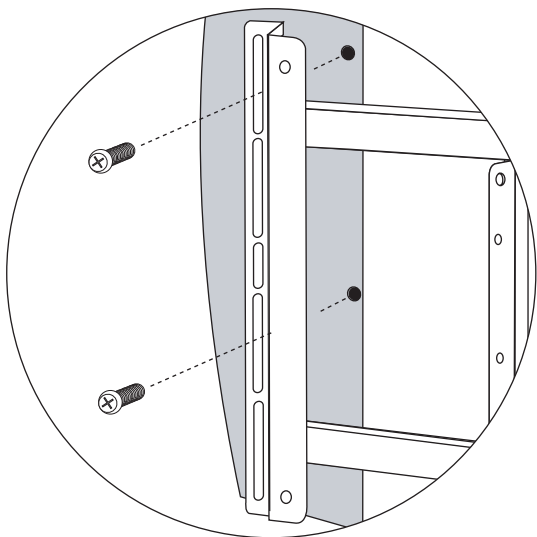
Skip to step 4 if you are not installing left and right speakers.

Mount speakers onto vertical brackets using the supplied manufacturer screws.

Align speakers with center of TV.

Adjust speaker position maintaining approximate 1/2" clearance with TV.

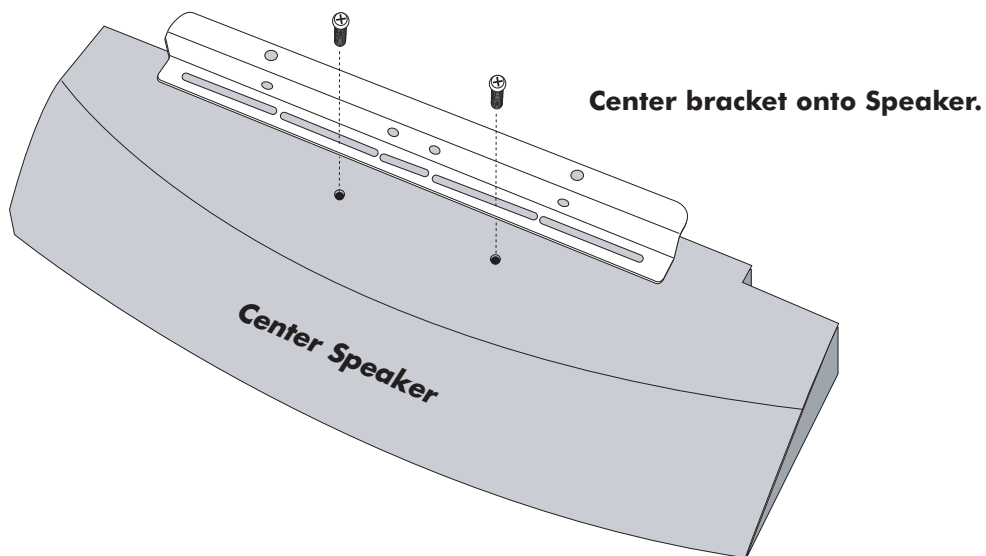
Tighten the 8 top and bottom screws (B) with the hex key (A).



4. Mount Brackets to Center Speaker

Carefully lay your speakers flat on a cushion and **CENTER** the bracket onto the back of the speaker.

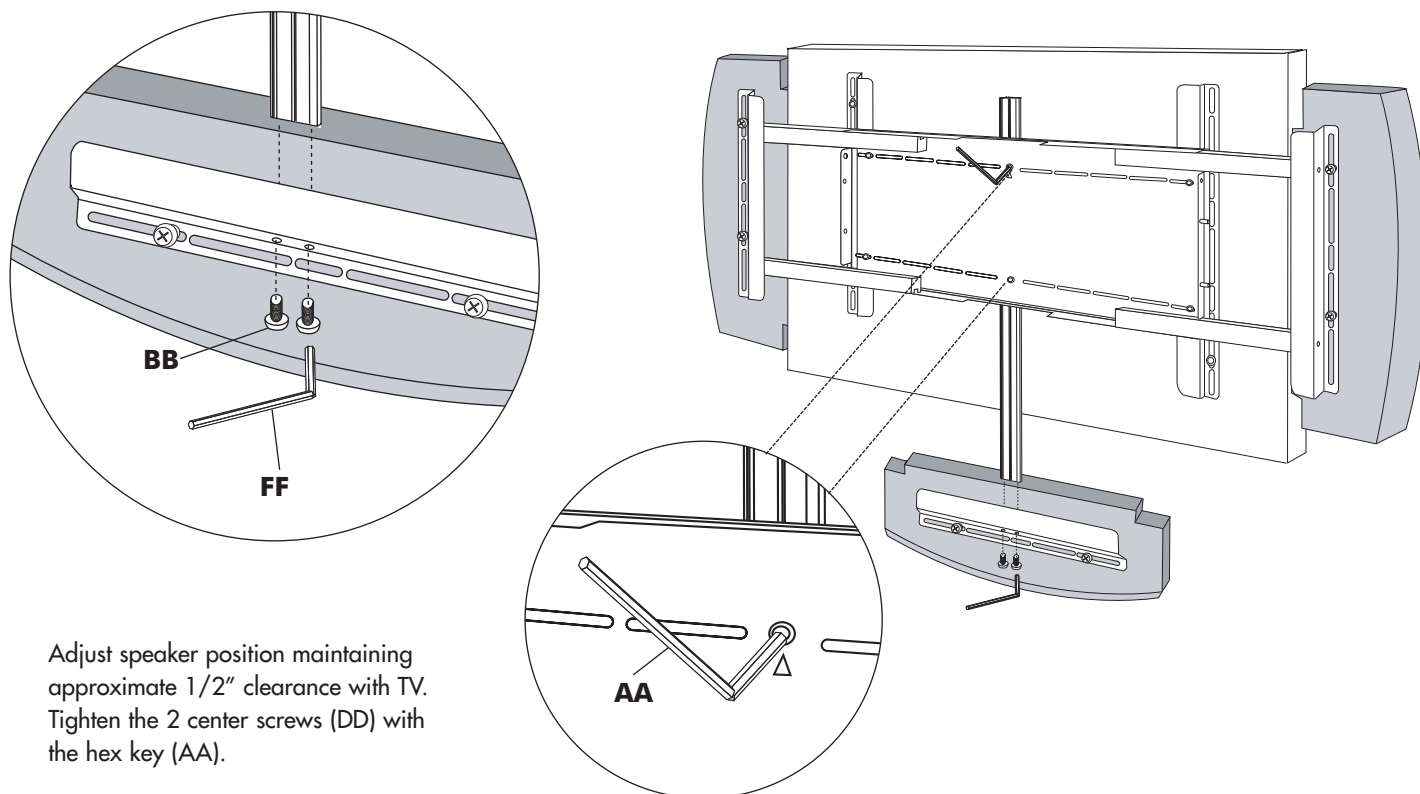
Secure the bracket in place using the manufacturer supplied screws.



5. Mount Speaker onto Post

Use 2 screws (BB) to mount the center speaker on to the post.

Secure with hex key (FF).



Adjust speaker position maintaining approximate 1/2" clearance with TV. Tighten the 2 center screws (DD) with the hex key (AA).