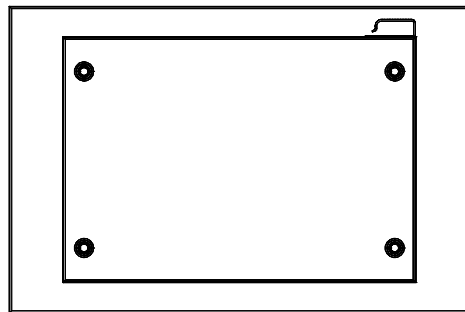
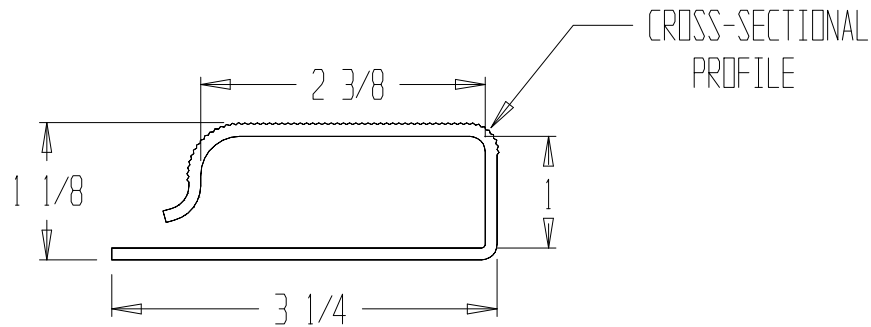
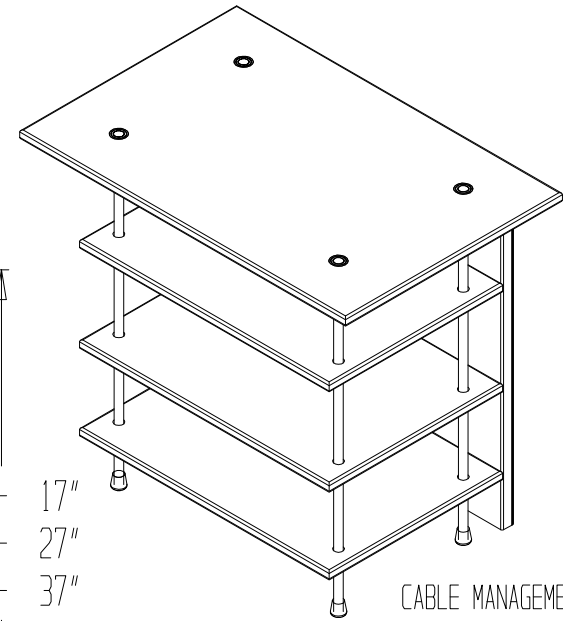
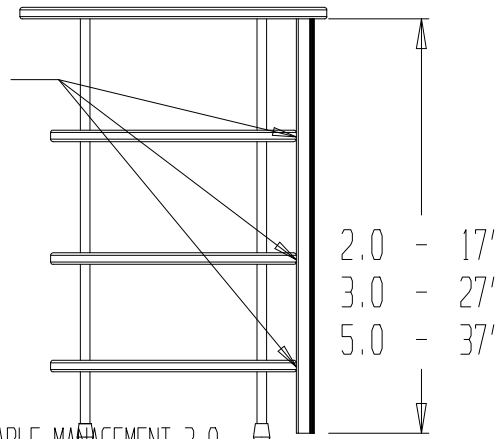


REVISIONS			
REV	DESCRIPTION	DATE	APPROVED
00	RELEASE	12/29/98	



CABLE MANAGEMENT ATTACHED WITH VELCRO (SUPPLIED)



SALAMANDER CONFIDENTIAL AND PROPRIETARY

THIS SALAMANDER DOCUMENT CONTAINS PROPRIETARY AND CONFIDENTIAL INFORMATION OF SALAMANDER DESIGNS LTD.. IT IS LOANED ON CONDITION THAT IT AND THE INFORMATION THERIN SHALL NOT BE USED BY RECIPIENT NOR BE DISCLOSED TO OTHERS EXCEPT AS EXPRESSLY APPROVED BY SALAMANDER DESIGNS LTD. ANY DOCUMENT CONTAINING SUCH INFORMATION SHALL BE RETURNED ON REQUEST.



TOLERANCES:
DECIMALS:
XX +/- .02
XXX +/- .005
ANGLES +/- 1/2 DEG

SALAMANDER DESIGNS LTD.
HARTFORD, CT 06106

DESCRIPTION
OUTLINE: CABLE MANAGEMENT 2.0, 3.0, 5.0

DRAWN BY	DATE	SIZE	LEVEL	DWG NO.	REV
		B		N/A	00
APPROVED	DATE	SCALE	FILE	SHEET	
		N/A		1 OF 1	