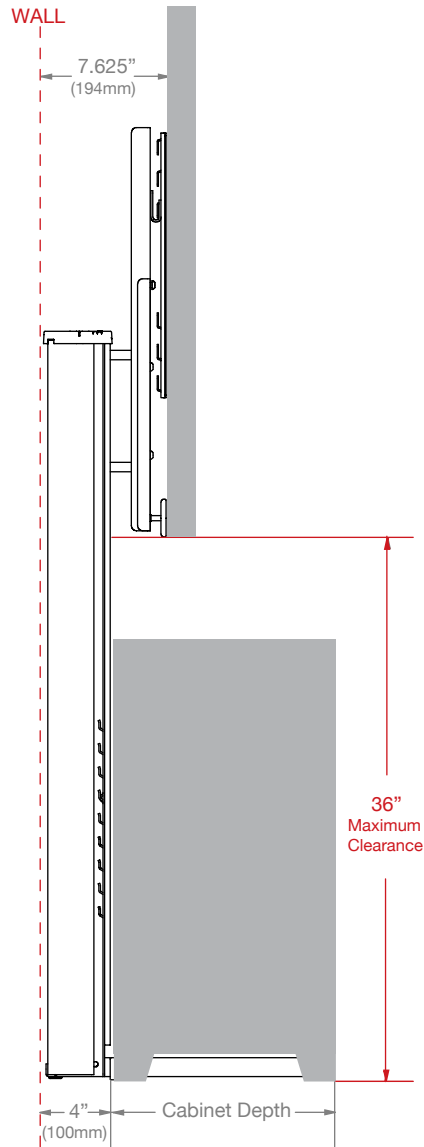




SY/FM1 - SYNCHRO FURNITURE MATE



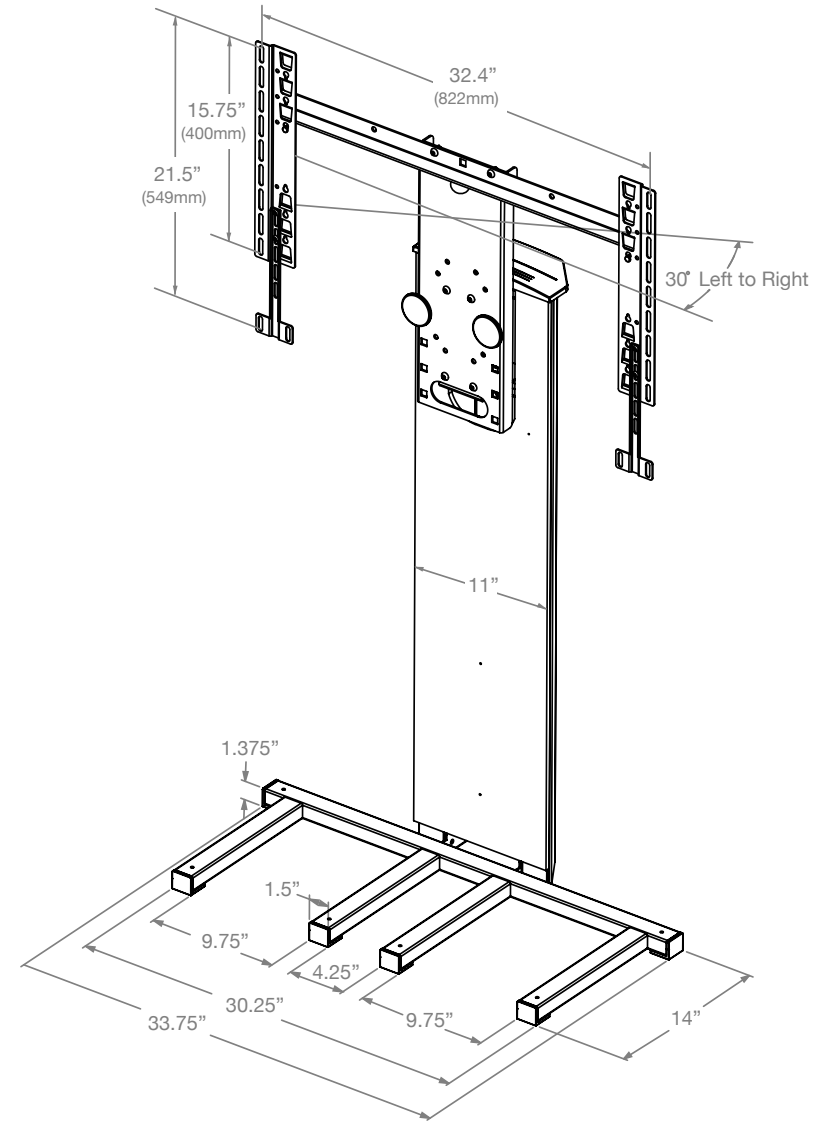
Clearance Below TV

The Furniture Mate provides 26 to 36 inches of clearance from the floor to the bottom of the TV for screens 32 to 60 inches in size.

TV Screen Diagonal Size	Furniture Mate Clearance
32"	36"
37"	35"
40"	34"
42"	33"
46"	*32"
50"	*31"
52"	*28"
55"	*27"
60"	*26"

Dimension from bottom of TV to the floor. Unit adjusted to maximum position.

* The optional Vertical Extension Kit, for TVs 46 to 60 inches in size, achieves a clearance up to 36 inches.



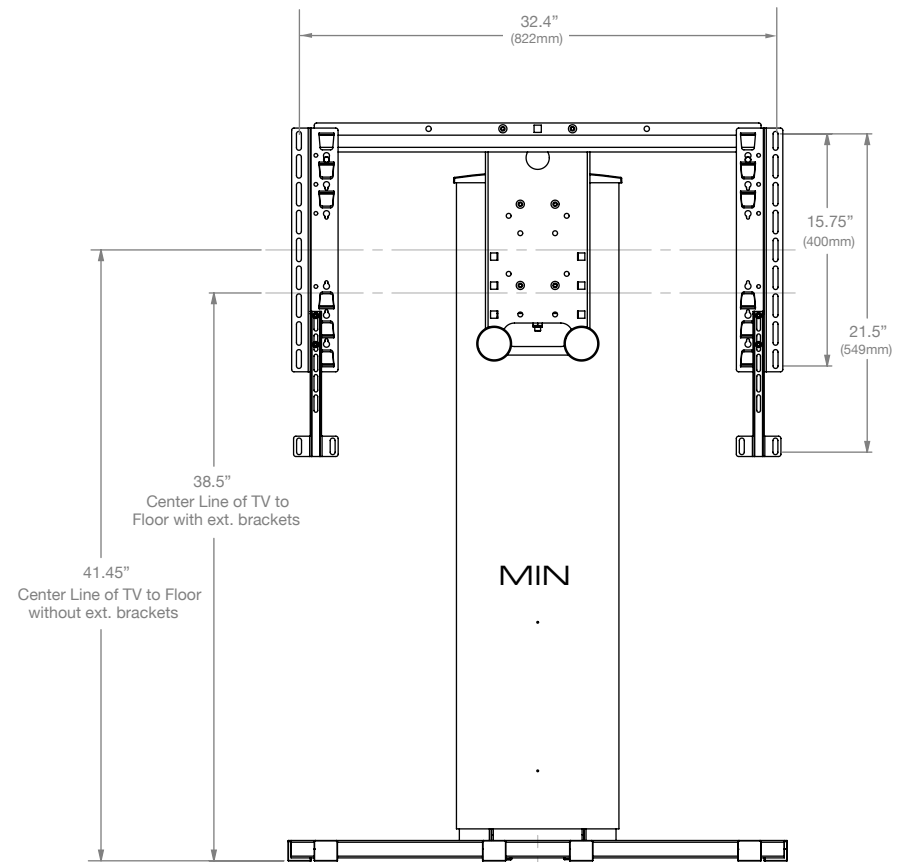
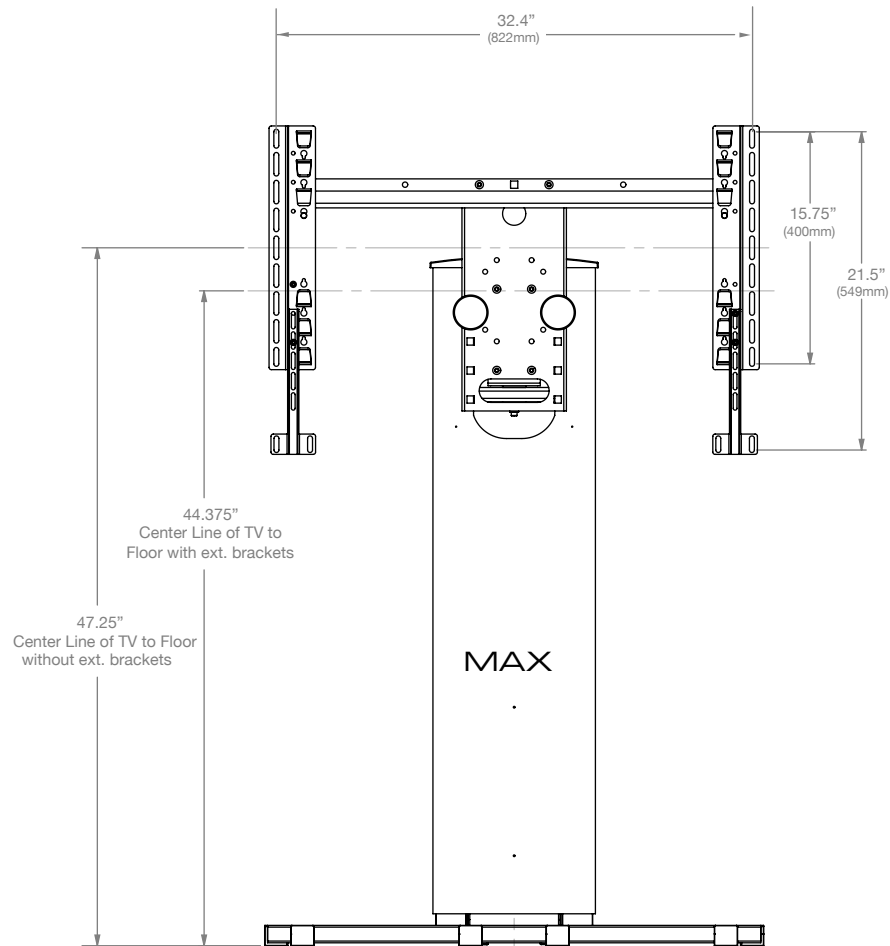


SY/FM1 - SYNCHRO FURNITURE MATE

Maximum mounting reach with and without extension brackets.
Center line of flat panel TV to floor in maximum height positions.

Determining Clearance:

Subtract half the height of your TV from "Center Line of TV to Floor" dimension below. It is required to allow 0.5" clearance for proper swivel function of mount.





MA/XLK1 - SYNCHRO FURNITURE MATE WITH VERTICAL EXTENSION KIT

Maximum mounting reach with and without extension brackets. Center line of flat panel TV to floor in maximum and minimum height positions with optional XL brackets.

The optional Vertical Extension Kit, for TVs 46 to 60 inches in size, achieves a clearance up to 36 inches.

Determining Clearance:

Subtract half the height of your TV from "Center Line of TV to Floor" dimension below. It is required to allow 0.5" clearance for proper swivel function of mount.

